



Invacare® Platinum® Series

IRC5LXAW, IRC5LXO2AW, IRC5LXO2AWQ,
IRC9LXO2AWQ

en	HomeFill® System Compatible Oxygen Concentrators with SensO ₂ User Manual	3
cs	HomeFill® systém kompatibilní koncentrátorů kyslíku s SensO ₂ Návod k obsluze	35
fr	Système HomeFill® compatibles concentrateurs d'oxygène avec SensO ₂ Manuel d'utilisation	69
de	HomeFill® systemfähig Sauerstoffkonzentratoren mit SensO ₂ Gebrauchsanweisung.....	103
it	Sistema HomeFill® concentratori di ossigeno compatibili con SensO ₂ Manuale d'uso.....	141
pl	Systemowe HomeFill® Kompatybilne z SensO ₂ koncentratorów tlenu Instrukcja obsługi.....	175

This manual MUST be given to the user of the product.
BEFORE using this product, read this manual and save for future reference.



Yes, you can.®

© 2017 Invacare Corporation

All rights reserved. Republication, duplication or modification in whole or in part is prohibited without prior written permission from Invacare. Trademarks are identified by ™ and ®. All trademarks are owned by or licensed to Invacare Corporation or its subsidiaries unless otherwise noted.

Pine-sol and Lestoil are trademarks of The Clorox Company.

Dawn is a trademark of The Proctor and Gamble Company.

Making Life's Experiences Possible is a registered trademark in the U.S.A.

Contents

This manual **MUST** be given to the user of the product.
BEFORE using this product, read this manual and save for future reference.

1 General	4
1.1 Symbols	4
1.2 Intended Use	6
1.3 Description	7
1.4 Contraindications	7
1.5 Optional Accessories	7
2 Safety	8
2.1 Label Locations	8
2.2 General Guidelines	10
2.3 Radio Frequency Interference	13
3 Components	14
3.1 Component Identification	14
4 Setup	15
4.1 Shipping and Handling	15
4.2 Unpacking	15
4.3 Inspection	15
4.4 Storage	15
5 Usage	16
5.1 Introduction	16
5.2 Select a Location	16
5.3 Setting Up the Concentrator	18
5.3.1 Setting Up the Humidifier	18
5.3.2 Turning the Concentrator On	20
5.3.3 Flowrate	20
5.3.4 SensO ₂ Oxygen Purity Indicator	21

5.3.5 Units without SensO ₂	22
5.4 Main Power Loss Alarm System	22
5.5 Elapsed Time Meter (Hour Meter)	22
6 Maintenance	23
6.1 Cleaning the Cabinet	23
6.2 Cleaning the Cabinet Filter	24
6.3 Humidifier Cleaning and Thermic Disinfection	25
6.4 Cleaning and Disinfection Between Patients	25
6.5 Preventive Maintenance Checklist	26
7 After Use	27
7.1 Recycling Information	27
7.2 Wear and Tear	27
8 Troubleshooting	28
8.1 Troubleshooting	28
9 Technical data	30
9.1 Typical Product Parameters	30

I General

I.1 Symbols

Signal words are used in this manual and apply to hazards or unsafe practices which could result in personal injury or property damage. See the information below for definitions of the signal words.



DANGER!

– Danger indicates an imminently hazardous situation which, if not avoided, will result in death or serious injury.



WARNING!

– Warning indicates a potentially hazardous situation which, if not avoided, could result in death or serious injury.



CAUTION!

– Caution indicates a potentially hazardous situation which, if not avoided, may result in property damage or minor injury or both.



Gives useful tips, recommendations and information for efficient, trouble-free use.

Symbols in Documentation



Read manual



No Smoking



No Open Flame



Class II, Double Insulated



Alternating Current



Type BF equipment



Recycle



DO NOT dispose of in household waste



Electrical Hazard



Keep dry



EC Representative



Manufacturer



Call supplier



**This product complies with Directive 93/42/EEC concerning medical devices.

The launch date of this product is stated in the CE declaration of conformity.

For more details about CE marks, refer to Typical Product Parameters.

Symbols on Product



Unit running



Unit not running

O₂ Indicators

Symbol	O ₂ Purity	Indicator Lights (LED)
O ₂	SYSTEM OKAY O ₂ over 85%	GREEN Indicator Light
	O ₂ between 73% to 85%	YELLOW Indicator Light A. YELLOW Solid B. YELLOW Flashing Sensor Failure. Call a qualified technician
	SYSTEM FAILURE O ₂ Below 73%	RED Indicator Light Refer to Troubleshooting.

LX Indicators

Symbol	O ₂ Purity	Indicator Lights (LED)
I/O	SYSTEM OKAY	GREEN Indicator Light
	SYSTEM FAILURE	RED Indicator Light Continuous Audible Alarm Sieve — GARD™ Compressor Shutdown Call a qualified technician.

1.2 Intended Use

Your oxygen concentrator is intended for individual use by patients with respiratory disorders who require supplemental oxygen. The device is not intended to sustain or support life. The concentrator is intended for use within a home or institutional environment.



DANGER!

Risk of Injury or Death

This product is to be used as an oxygen supplement and is not intended to be life-supporting or life-sustaining. ONLY use this product if the patient is capable of spontaneous breath, able to inhale and exhale without the use of a machine.

- DO NOT use in parallel or series with other oxygen concentrators or oxygen therapy devices.



DANGER!

Risk of Injury or Death

Depending on their medical condition, patients on flow rates greater than 5 l/m may be at an increased risk for serious injury or death in the event of failure.

- ALWAYS discuss this increased risk with your health care provider BEFORE using this product if you are prescribed a flow rate greater than 5 l/m.



DANGER!

Risk of Injury or Death

While Invacare strives to produce the best oxygen concentrator in the market today, this oxygen concentrator can fail to produce oxygen due to power failure or device malfunction.

- ALWAYS have a backup source of oxygen readily available.
- In the event the concentrator fails to produce oxygen, the concentrator will briefly alarm signaling the patient to switch to their backup source of oxygen. Refer to Troubleshooting for more detail.



WARNING!

Risk of Injury or Damage

Use of this product outside of the intended use and product parameters has not been tested and may lead to product damage, loss of product function, or personal injury.

- DO NOT use this product in any way other than described in the product parameters and intended use sections of this manual.

1.3 Description

The Invacare Platinum concentrator is used by patients with respiratory disorders who require supplemental oxygen. The device is not intended to sustain or support life.

The oxygen concentration level of the output gas ranges from 87% to 95.6%. The oxygen is delivered to the patient through the use of a nasal cannula.

The Invacare Platinum concentrator uses a molecular sieve and pressure swing adsorption methodology to produce the oxygen gas output. Ambient air enters the device, is filtered and then compressed. This compressed air is then directed toward one of two nitrogen adsorbing sieve beds.

Concentrated oxygen exits the opposite end of the active sieve bed and is directed into an oxygen reservoir where it is delivered to the patient.

The Invacare Platinum concentrator is capable of operation by the patient in a home environment or in an institutional environment. Device operates at a nominal 230 VAC/50 Hertz supply.

Service information will be available upon request to qualified technical personnel only.

1.4 Contraindications

Invacare is not aware of any contraindications for the Invacare Platinum Concentrator Series.

1.5 Optional Accessories

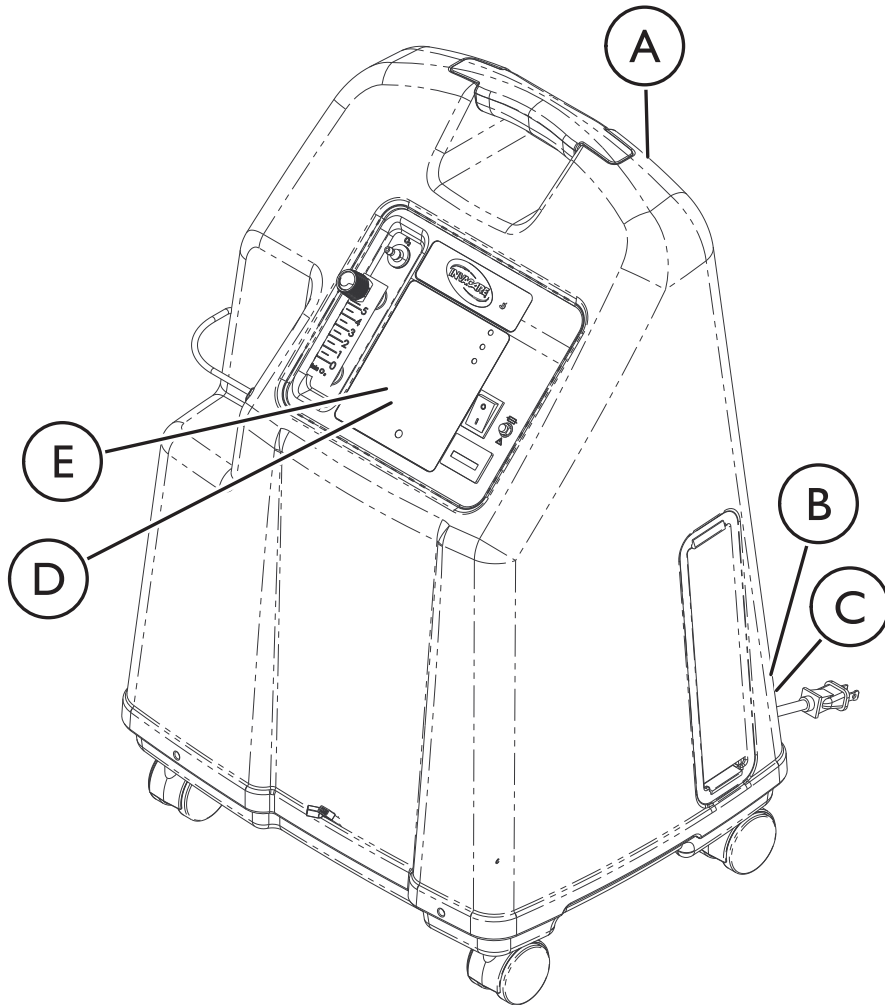
There are many different types of humidifiers, oxygen tubing, cannulas and masks that can be used with this device. You should contact your local home care provider for recommendations on which of these

devices will be best for you. They should also give you advice on the proper usage, maintenance, and cleaning.

The supply accessories (nasal cannula, mask, tubing, humidifier, etc.) used to deliver oxygen to the patient need to include a means to reduce the propagation of fire in the accessories for the safety of the patient and others. If a commercially available, fire-activated flow stop device is used in the accessories setup, it should be placed as close to the patient as possible.

2 Safety

2.1 Label Locations



Ⓐ	Serial Number Label is located on the resonator intake assembly.
Ⓑ	Specification Label is located on the back of the concentrator at the base.
Ⓒ	Double Insulation Label is located on the back of the concentrator at the base.

IRC5LX02AW, IRC5LX02AWQ, IRC9LX02AWQ

HomeFill® Compatible
with SensO₂™



SEE USER MANUAL OR CONTACT YOUR HOME EQUIPMENT PROVIDER FOR SAFE OPERATING INSTRUCTIONS, ALARMS, AUDIBLE ALERTS AND USE OF ACCESSORIES.



O₂

⚠ DANGER RISK OF FIRE - NO SMOKING, OPEN FLAME OR IGNITION SOURCES



Keep ALL sources of ignition out of the room in which this product is located and away from areas where oxygen is being delivered. Textiles, oil and other combustibles are easily ignited and burn with great intensity in oxygen enriched air.

⚠ DANGER RISK OF ELECTRIC SHOCK



DO NOT remove cover. Refer servicing to qualified service personnel.

Ⓧ

IRC5LXAW

HomeFill® Compatible



SEE USER MANUAL OR CONTACT YOUR HOME EQUIPMENT PROVIDER FOR SAFE OPERATING INSTRUCTIONS, ALARMS, AUDIBLE ALERTS AND USE OF ACCESSORIES.

I/O

⚠ DANGER RISK OF FIRE - NO SMOKING, OPEN FLAME OR IGNITION SOURCES



Keep ALL sources of ignition out of the room in which this product is located and away from areas where oxygen is being delivered. Textiles, oil and other combustibles are easily ignited and burn with great intensity in oxygen enriched air.

⚠ DANGER RISK OF ELECTRIC SHOCK



DO NOT remove cover. Refer servicing to qualified service personnel.

Ⓧ

2.2 General Guidelines

In order to ensure the safe installation, assembly and operation of the concentrator these instructions **MUST** be followed.



DANGER!

Risk Of Death, Injury, Or Damage

Improper use of the product may cause death, injury or damage. This section contains important information for the safe operation and use of this product.

- DO NOT use this product or any available optional equipment without first completely reading and understanding these instructions and any additional instructional material such as user manuals, service manuals or instruction sheets supplied with this product or optional equipment.
- If you are unable to understand the warnings, cautions or instructions, contact a healthcare professional, dealer or technical personnel before attempting to use this equipment.
- Check ALL external components and carton for damage. In case of damage, or if the product is not working correctly, contact a technician or Invacare for repair.
- THE INFORMATION IN THIS DOCUMENT IS SUBJECT TO CHANGE WITHOUT NOTICE.



DANGER!

Risk Of Death, Injury, Or Damage From Fire

Textiles, oil or petroleum substances, grease, greasy substances and other combustibles are easily ignited and burn with great intensity in oxygen enriched air and when in contact with oxygen under pressure. To avoid fire, death, injury or damage:

- DO NOT SMOKE while using this device.
- DO NOT near OPEN FLAME or IGNITION SOURCES.
- DO NOT use any lubricants on concentrator unless recommended by Invacare.
- NO SMOKING signs should be prominently displayed.
- Avoid creation of any spark near oxygen equipment. This includes sparks from static electricity created by any type of friction.
- Keep all matches, lighted cigarettes or other sources of ignition out of the room in which this concentrator is located and away from where oxygen is being delivered.
- Keep the oxygen tubing, cord, and concentrator out from under such items as blankets, bed coverings, chair cushions, clothing, and away from heated or hot surfaces including space heaters, stoves, and similar electrical appliances.



CAUTION!

Federal (statutory) law restricts this device sale to or on the order of a medical practitioner licensed by a governmental agency where he/she practices.

- ONLY a licensed medical practitioner may order the purchase or use of this device.

**DANGER!****Risk of Death, Injury, from Electric Shock**

To reduce the risk of burns, electrocution, death or injury to persons:

- DO NOT disassemble. Refer servicing to qualified service personnel. There are no user serviceable parts.
- Avoid using while bathing. If continuous usage is required by the physician's prescription, the concentrator must be located in another room at least 7ft (2.5m) from the bath.
- DO NOT come in contact with the concentrator while wet.
- DO NOT place or store concentrator where it can drop into water or other liquid.
- DO NOT reach for concentrator that has fallen into water. Unplug IMMEDIATELY.
- DO NOT use frayed or damaged AC adapter cords.

**WARNING!****Risk Of Injury Or Damage**

- Invacare products are specifically designed and manufactured for use in conjunction with Invacare accessories. Accessories designed by other manufacturers have not been tested by Invacare and are not recommended for use with Invacare products.
- There are many different types of humidifiers, oxygen tubing, cannulas and masks that can be used with this device. You should contact your local home care provider for recommendations on which of these devices will be best for you. They should also give you advice on the proper usage, maintenance, and cleaning.

**DANGER!****Risk of Injury or Death**

To avoid choking or ingestion of chemicals from airway contamination:

- DO NOT use the concentrator in the presence of pollutants, smoke, fumes, flammable anesthetics, cleaning agents, or chemical vapors.

**WARNING!****Risk of Injury or Death**

To prevent injury or death from product misuse:

- Closely supervise when this concentrator is used by or near children or physically-challenged individuals.
- Monitor patients using this device who are unable to hear or see alarms or communicate discomfort.

**WARNING!****Risk of Injury or Death**

To avoid choking and/or strangulation from tubing entanglement:

- Keep children and pets away from nasal cannula and tubing.
- Close supervision is necessary when the nasal cannula is used by or near children and/or disabled persons.

**WARNING!****Risk of Injury or Death**

To reduce the risk of injury or death from illness:

- Replace the nasal cannula on a regular basis. Check with your equipment provider or physician to determine how often the cannula should be replaced.
- DO NOT share cannulas between patients.



WARNING!
Risk of Injury

A change in altitude may affect total oxygen available to you. To prevent oxygen deprivation:

- Consult your physician before traveling to higher or lower altitudes to determine if your flow settings should be changed.



WARNING!
Risk of Injury or Damage

To prevent injury or damage from cord misuse:

- DO NOT move or relocate concentrator by pulling on the cord.
- DO NOT use extension cords with AC power adapters provided.
- Properly store and position electrical cords and/or tubing to prevent a tripping hazard.



WARNING!
Risk of Injury or Damage

To prevent injury or damage from misuse:

- NEVER leave concentrator unattended when plugged in.
- Make sure concentrator is off when not in use.



WARNING!
Risk of Injury or Damage

Invacare oxygen concentrators are specifically designed to minimize routine preventive maintenance. To prevent injury or damage:

- Only professionals of the healthcare field or persons fully conversant with this process such as factory trained personnel should perform preventive maintenance or performance adjustments on the oxygen concentrator, except for tasks described in this manual.
- Users should contact your dealer or Invacare for service.



CAUTION!
Risk of Damage

To prevent damage from liquid ingress:

- If the concentrator is not working properly, if it has been dropped or damaged, or dropped into water, call equipment provider/qualified technician for examination and repair.
- NEVER drop or insert any object or liquid into any opening.
- Invacare recommends the concentrator not be used in the rain.

2.3 Radio Frequency Interference



WARNING!

Risk of Injury or Damage

To reduce the risk of injury or product damage from interference with wireless equipment:

- Keep concentrator at least 9.8 ft (3.0 m) away from wireless communication equipment such as wireless home network devices, mobile phones, cordless phones and base stations, walkie-talkies, etc.

This equipment has been tested and found to comply with EMC limits specified by IEC/EN 60601-1-2. These limits are designed to provide a reasonable protection against electromagnetic interference in a typical medical installation.

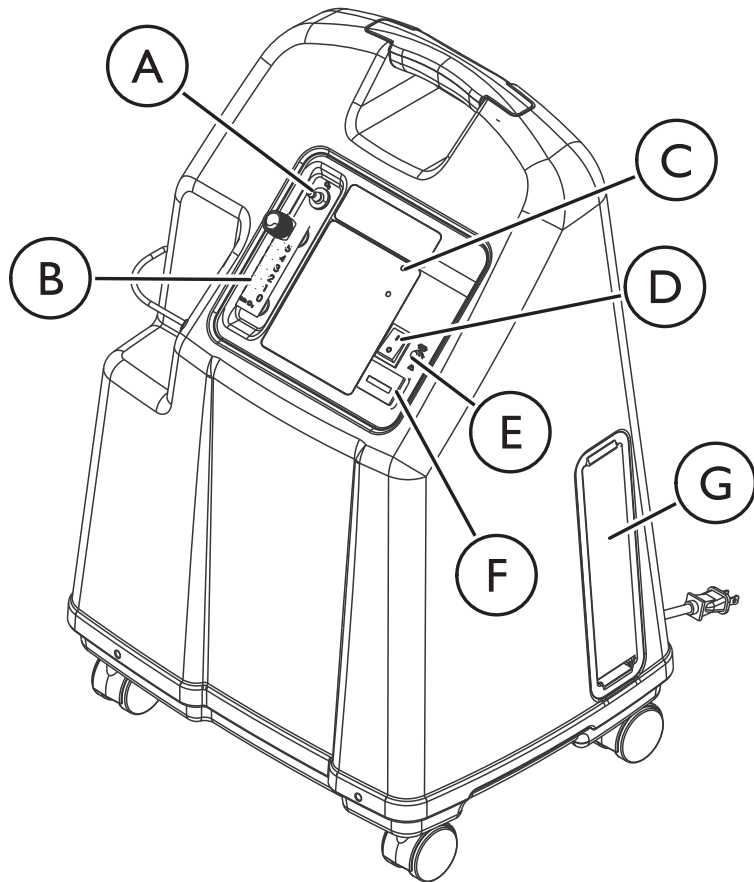
Other devices may experience interference from even the low levels of electromagnetic emissions permitted by the above standards.

To determine if the emissions from the concentrator are causing the interference, turn the concentrator **Off**. If the interference with the other device(s) stops, then the concentrator is causing the interference. In such rare cases, interference may be reduced or corrected by one of the following measures:

- Reposition, relocate, or increase the separation between the equipment.
- Connect the equipment into an outlet on a circuit different from that to which the other device(s) is connected.

3 Components

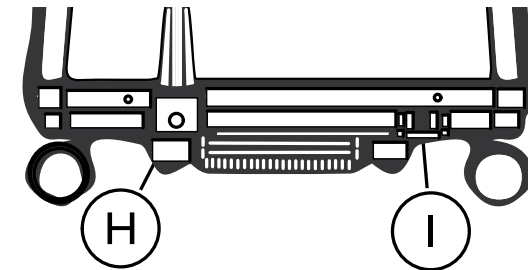
3.1 Component Identification



Ⓐ	Oxygen Outlet
Ⓑ	Flowmeter
Ⓒ	Oxygen Purity Indicator Lights/Fault and Power Indicator Lights

Ⓓ	Power Switch
Ⓔ	Circuit Breaker
Ⓕ	Elapsed Time Meter
Ⓖ	Cabinet Filter

Rear View



Ⓕ	Power Cord
Ⓖ	HomeFill Outlet Fitting



Accessories (Not Shown): HomeFill home oxygen compressor — IOH200AW

The HomeFill outlet fitting ⑥ is to be used only for filling oxygen cylinders with the HomeFill home oxygen compressor. The outlet fitting does not affect concentrator performance. Refer to the HomeFill user manual, for connection and operating instructions. When not in use, the plug provided with the concentrator should be inserted into the outlet fitting. For more information about the HomeFill, contact your Invacare dealer.

4 Setup

4.1 Shipping and Handling

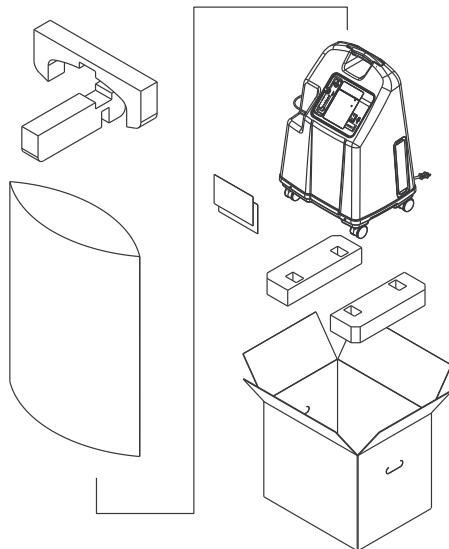
Before you install and operate the concentrator, please refer to Platinum Series User Manual.

The Platinum concentrator should ALWAYS be kept in the upright position to prevent cabinet damage while being transported. The shipping container has been designed to assure maximum protection of the concentrator.

If the concentrator is to be reshipped by common carrier, it should be packed in a new carton. Additional cartons are available from Invacare.

The air compressor suspension system has been engineered to withstand severe motion and orientation.

4.2 Unpacking



1. Check for any obvious damage to the carton or its contents. If damage is evident, notify the carrier, or your local dealer.
2. Remove all loose packing from the carton.
3. Carefully remove all the components from the carton.



Unless the oxygen concentrator is to be used IMMEDIATELY, leave concentrator in its packaging for storage until use is required.

4.3 Inspection

1. Inspect/examine exterior of the concentrator for nicks, dents, cracks, scratches or other damage.
2. Inspect all components.

4.4 Storage

1. Store the repackaged oxygen concentrator in a dry area. Refer to Typical Product Parameters for storage temperature parameters.
2. DO NOT place objects on top of repackaged concentrator.

5 Usage

5.1 Introduction

Your oxygen concentrator is intended for individual use indoors. It is an electronically operated device that separates oxygen from room air. It provides high concentration of oxygen directly to you through a nasal cannula. Clinical studies have documented that oxygen concentrators are therapeutically equivalent to other types of oxygen delivery systems.

Your provider will show you how to use your oxygen concentrator. He/She should be contacted with any questions or problems regarding your oxygen concentrator. This user manual will tell you about your concentrator and will serve as a reference as you use your concentrator.

5.2 Select a Location

**WARNING!****Risk of Injury or Damage**

To avoid injury or damage from airborne pollutants and/or fumes and for optimal performance:

- Locate and position the concentrator in a well ventilated space so that the air intake and the air exhausts are not obstructed.
- NEVER block the air openings of the concentrator or place it on a soft surface, such as a bed or couch, where the air opening may be blocked.
- Keep the openings free from lint, hair and similar foreign items.
- Keep concentrator at least 12 inches (30,5 cm) away from walls, draperies and furniture.
- Avoid use in presence of pollutants, smoke or fumes, flammable anesthetics, cleaning agents or chemical vapors.
- DO NOT use in a closet.

**WARNING!****Risk of Injury**

To avoid injury during therapy:

- The oxygen concentrator **MUST** be placed on a level surface for use.
- DO NOT relocate the oxygen concentrator while in use.

You may select a room in your house where using your oxygen concentrator would be most convenient. Your concentrator can be easily rolled from room to room on its casters.

Your oxygen concentrator will perform best when operated under the conditions outlined in the table below.

Usage in environments other than those described may result in the need for increased equipment maintenance. The air intake of the unit should be located in a well ventilated area to avoid airborne pollutants and/or fumes.

Recommended Guidelines for Optimum Performance

Temperature:	10°C - 35°C (50°F - 95°F)
Electrical:	No extension cords.
Placement:	No closer than 30,5 cm (12 in) from the wall, furniture, draperies, or similar surfaces.
Tubing and Cannula:	IRC5LXAW, IRC5LXO2AW, IRC5LXO2AWQ 2,1 m (7 ft) cannula with a maximum 15,2 m (50 ft) of Crush-Proof Tubing (DO NOT pinch.)
	IRC9LXO2AWQ Recommended use up to 15.2 m (50 ft) high flow tubing with high flow cannula at all flow rates.
Environment:	Smoke and soot-free. No confined spaces (Example: No closets).
Relative Humidity:	20 to 60%

Time of Operation:	Up to 24 hours per day.
Flow Rate	IRC5LXAW, IRC5LXO2AW, IRC5LXO2AWQ 0.5 L/min. to 5 L/min. Flow rates less than 1 L/min., are not recommended.
	IRC9LXO2AWQ 1 L/min. to 9L/min. Flow rates less than 1 L/min. are not recommended.
Minimum Operating Time:	30 Minutes



Ensure that your concentrator is at least 30,5 cm (12 in) away from walls, draperies or furniture to assure sufficient air flow. Avoid deep pile carpets and heaters, radiators or hot air registers.

5.3 Setting Up the Concentrator

1. Plug in power cord to an electrical outlet.
2. Connect Humidifier (if so prescribed).

5.3.1 Setting Up the Humidifier



WARNING!

Risk of Injury or Damage

To avoid burns from steam or hot water, inhalation of water and/or water damage to the concentrator:

- DO NOT fill humidifier bottle with hot water. Allow boiled water to cool to room temperature before filling.
- DO NOT overfill humidifier.
- Replace the humidifier cap and securely tighten. Confirm that the cap is not cross-threaded on the humidifier bottle.
- DO NOT reverse the oxygen input and output connections. Water from the humidifier bottle will travel through the cannula back to the patient if input and output connections are reversed.
- When using tubing connections longer than 2.1 m (7 feet) in length, position the humidifier as close to the patient as possible to allow for maximum humidification output.



WARNING!

Risk of Injury or Damage

Failure to properly install the humidifier bottle or other accessories to the concentrator will impact the flow of oxygen.

- To check for proper operation of the oxygen concentrator and accessories, place the end of the nasal cannula under the surface of a half-full cup of water and look for the bubbles.
- If there are no bubbles, check all connections (including humidifier bottle and other accessories, if applicable) and repeat. Contact your dealer or service provider immediately if bubbles still do not appear.

Filling the Humidifier Bottle [Ⓐ]

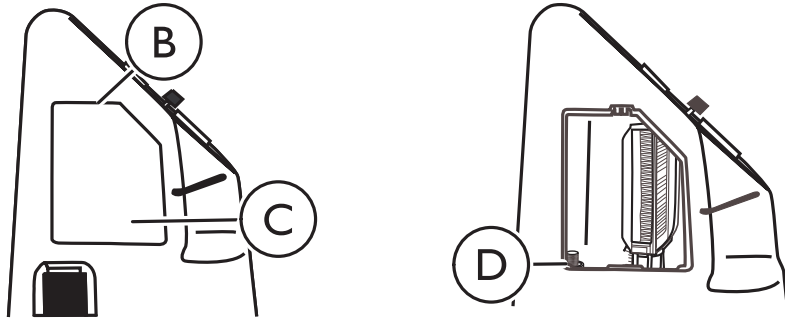


1. Remove cap from bottle.
2. Fill humidifier bottle [Ⓐ] with boiled tap water or bottled water to the level indicated by the manufacturer. Boil tap water for approximately 10 minutes and cool to room temperature prior to use.

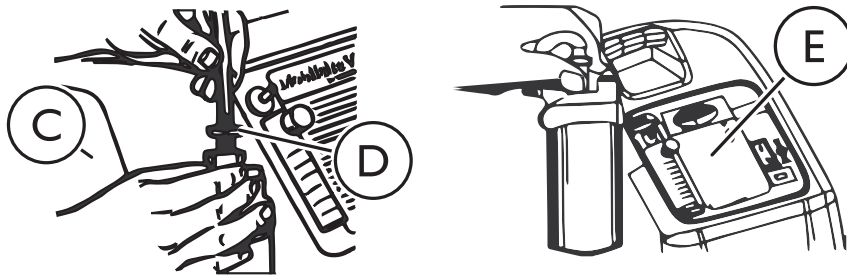


CAUTION!
Risk of Damage

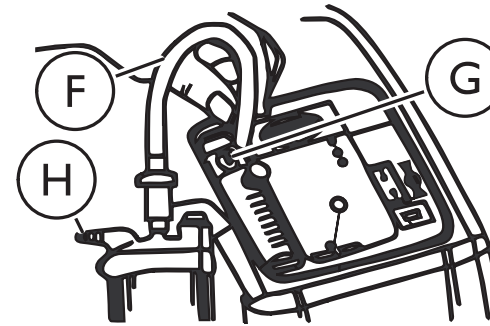
- Confirm the humidifier cap is not cross-threaded on the humidifier bottle.



3. Insert a flathead screwdriver in the plate groove (B) on the top edge of the filter access door (C) and gently pry the filter access door off.



4. Pull up and remove the humidifier bottle adapter (D) (next to inlet filter).



WARNING!
Risk of Injury

- To avoid impacting the flow of oxygen:
- Install the humidifier bottle and/or other accessories properly.

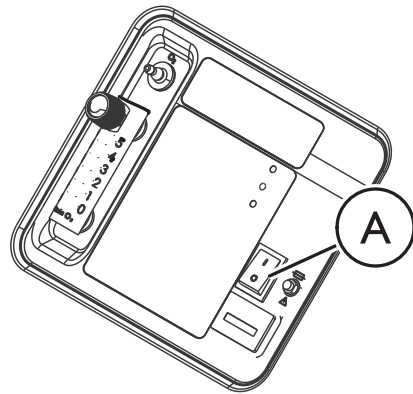
5. Attach the humidifier bottle adapter to the humidifier bottle by turning the wing nut on the humidifier bottle counterclockwise until it is securely fastened.
6. When placing the humidifier bottle in the compartment (E) on the concentrator, attach the humidifier bottle/adapter tube (F) to the oxygen outlet connector (G) on the concentrator.



When using tubing connections longer than 2.1 m (7 feet) in length, position the humidifier as close to the patient as possible to allow for maximum humidification output.

7. Attach the patients' nasal cannula supply tube to the humidifier bottle outlet (H).
8. After assembly, ensure that oxygen is flowing through the nasal cannula.
9. Replace the filter access door on the side of concentrator by snapping it back into the plate groove.

5.3.2 Turning the Concentrator On



1. Press power switch **A** to On position.

i All the panel lights and the audible alarm will come on for one second, indicating that the unit is functioning properly.

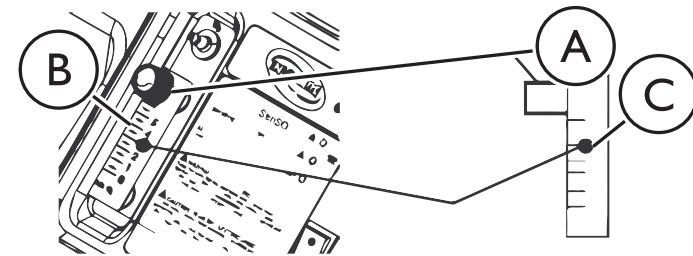
5.3.3 Flowrate



WARNING!
Risk of Injury

To avoid injury from excess oxygen or a deficit of oxygen:

- DO NOT change the L/min setting on the flowmeter unless a change has been prescribed by your physician or therapist.
- DO NOT set the flow greater than 9 L/min.



1. Turn the flowrate knob **A** to the setting prescribed by your physician or therapist.

i To properly read the flowmeter **B**, locate the prescribed flowrate line on the flowmeter. Next, turn the flow knob until the ball **C** rises to the line. Now, center the ball on the L/min line prescribed.

2. If the flowrate on the flowmeter ever falls below 0.5 L/min for more than about one minute, the Potential Obstruction Alert will be triggered. This is a rapid beeping of the audible alarm. Check your tubing or accessories for blocked or kinked tubing or a defective humidifier bottle. After rated flow is restored to between 0.5 L/min and 0.75 L/min., the Potential Obstruction Alert will turn off.


i A Potential Obstruction Alert indicates a condition that may be associated with a partial or complete obstruction of oxygen output.

The use of some accessories such as the PreciseRx™ pediatric flowmeter and the HomeFill compressor will deactivate the Potential Obstruction Alert.

5.3.4 SensO₂ Oxygen Purity Indicator

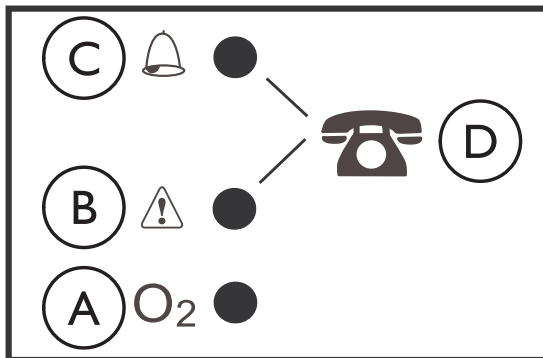
This feature monitors the purity of oxygen generated by the oxygen concentrator. If purity falls below factory preset standards, indicator lights on the control panel will illuminate.




Initial Startup of the Concentrator

 Concentrator may be used during the initial warm-up time (approximately 30 min.) while waiting for the O₂ purity to reach maximum.

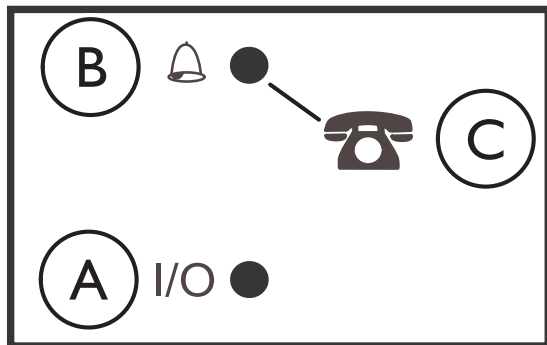
When the unit is turned on, the GREEN light will come on (SYSTEM OK/O₂ greater than 85%). After five minutes, the oxygen sensor will be operating normally and will control the indicator lights depending on oxygen concentration values.

Explanation of Oxygen Purity Indicator Lights





	Symbol	O ₂ Purity	Indicator Light (LED)	Explanation
Ⓐ	O ₂	SYSTEM OKAY O ₂ over 85%	GREEN light	No action is needed. Normal for operation.
Ⓑ		O ₂ between 73% and 85%	YELLOW light (Solid)	Immediately call supplier. You may continue to use the concentrator unless instructed otherwise by your supplier. Be certain that backup oxygen is nearby.
			YELLOW light flashing	
Ⓒ		SYSTEM FAILURE O ₂ below 73%	RED light (Solid)	Continuous Audible Alarm Sieve-GARD™ Compressor Shutdown SYSTEM FAILURE. Total unit shutdown. Immediately switch to backup oxygen supply and call supplier.
Ⓓ		—	—	Call Supplier

5.3.5 Units without SensO₂



Concentrator may be used during the initial start warm-up time (approximately 30 min). O₂ purity will build to a maximum during this period.

	Light	Symbol	Explanation
(A)	GREEN light	I/O	Normal Operation
(B)	RED light		Continuous Audible Alarm Sieve-GARD™ Compressor Total unit shutdown. Immediately switch to backup oxygen supply and call supplier.
(C)	—		Call Supplier

5.4 Main Power Loss Alarm System

The alarm system contains no battery - and is thereby maintenance free. The alarm system is powered by a capacitor that is continuously

charged and ready to trigger the alarm in the event of main power loss.

5.5 Elapsed Time Meter (Hour Meter)

The hour meter displays the cumulative number of hours the unit has operated. Refer to Component Identification for specific location.

6 Maintenance

6.1 Cleaning the Cabinet



DANGER!
Risk of Injury or Damage

Invacare oxygen concentrators are specifically designed to minimize routine preventive maintenance. To prevent injury or damage:

- Only qualified personnel should perform preventive maintenance on the oxygen concentrator.
- DO NOT remove cabinet.



DANGER!
Risk of Injury or Damage

Liquid will damage the internal components of the concentrator. To avoid damage or injury from electrical shock:

- Turn Off the concentrator and unplug the power cord before cleaning.
- DO NOT allow any cleaning agent to drip inside the air inlet and outlet openings.
- DO NOT spray or apply any cleaning agent directly to the cabinet.
- DO NOT hose down the product.



CAUTION!
Risk of Damage

Harsh chemical agents can damage the concentrator. To avoid damage:

- DO NOT clean the cabinet or filter with alcohol and alcohol based products (isopropyl alcohol), concentrated chlorine-based products (ethylene chloride), and oil-based products (Pine-Sol[®], Lestoil[®]) or any other harsh chemical agents. Only use mild liquid dish detergent (such as Dawn[™]).



At a minimum, preventive maintenance **MUST** be performed according to the maintenance record guidelines. In places with high dust or soot levels, maintenance may need to be performed more often. Refer to the Maintenance Checklist.

Periodically clean the concentrator's cabinet as follows:

1. Use a damp cloth, or sponge, with a mild detergent such as Dawn[™] dish washing soap to gently clean the exterior case.
2. Allow the concentrator to air dry, or use a dry towel, before operating the concentrator.

6.2 Cleaning the Cabinet Filter



CAUTION!

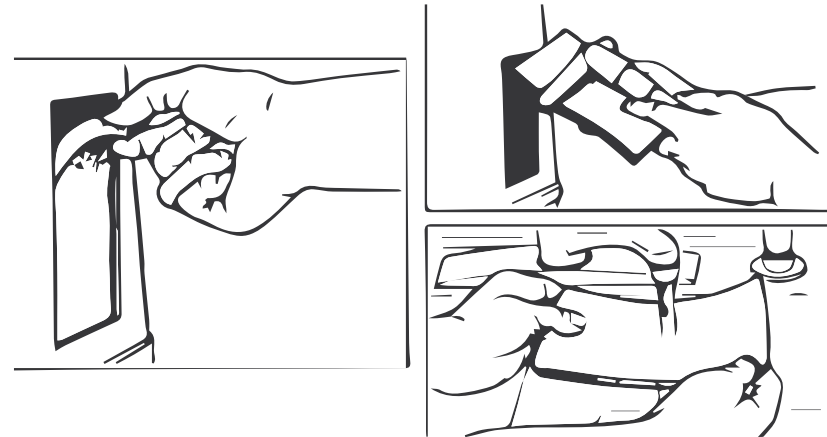
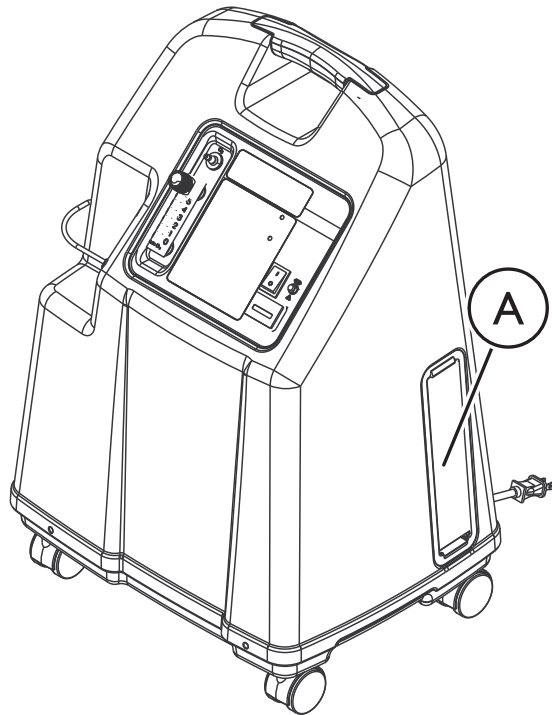
Risk of Damage

To avoid damage from clogging:

- DO NOT operate the concentrator without the filter installed.



There are two cabinet filters located on each side of the cabinet.




1. Remove the filter **A** and clean as needed.




Environmental conditions that may require more frequent inspection and cleaning of the filter include, but are not limited to: high dust, air pollutants, etc.

2. Clean the cabinet filter with a vacuum cleaner or wash with a mild liquid dish detergent (such as Dawn™) and water. Rinse thoroughly.
3. Thoroughly dry the filter and inspect for fraying, crumbling, tears and holes. Replace filter if any damage is found.
4. Reinstall the cabinet filter.

6.3 Humidifier Cleaning and Thermic Disinfection

 Clean and disinfect the oxygen humidifier daily to reduce limestone deposits and eliminate possible bacterial contamination. Follow the instructions provided by the manufacturer. If none are provided, follow these steps:

1. Wash humidifier in soapy water and rinse with a solution of ten parts water and one part vinegar.
2. Rinse thoroughly with hot water.
3. Air dry thoroughly.

 To limit bacterial growth, air dry the humidifier thoroughly after cleaning when not in use. Refer to Set Up for use.

6.4 Cleaning and Disinfection Between Patients




WARNING!

Risk of Injury or Damage

To prevent injury from infection or damage to concentrator:

- Only qualified personnel should perform cleaning and disinfection of the oxygen concentrator and accessories between patients.

 Follow these instructions to eliminate possible pathogen exchange between patients due to contamination of components or accessories. Preventive Maintenance should also be performed at this time if necessary.

1. Dispose of and replace all patient side accessories not suitable for multiple patient use, including but not limited to:
 - Nasal Cannula and Tubing
 - Mask
 - Humidifier
2. Perform maintenance procedures described in this manual and items on Preventive Maintenance Checklist
3. Check concentrator for possible external damage or signs that it may require service or repair.
4. Ensure concentrator functions properly and all alarms are in working order.
5. Before repackaging and distribution to new patient, ensure packaging contents contain the concentrator, power cord, air inlet scoop, assembly instructions, humidifier, cannula, labels and user manual.

6.5 Preventive Maintenance Checklist

Model No:

Serial No:

ON EACH INSPECTION							
Record Date of Service							
Record Elapsed Hours on Hour Meter							
Clean Cabinet Filter(s) (Refer to Cleaning the Cabinet Filter.)							
Check Prescribed L/min. Flow Rate							
DURING PREVENTIVE MAINTENANCE SCHEDULE, OR BETWEEN PATIENTS							
UNITS WITHOUT SensO₂ — Every 6 months of continuous use (Equivalent to 4,380 hours)							
Check Oxygen Concentration (green indicator light)							
Clean/Replace Cabinet Filter(s) (Refer to Cleaning the Cabinet Filter.)							
Check/Replace Outlet HEPA Filter*							
Check/Replace Compressor Inlet Filter*							
Check Power Loss Alarm*							
UNITS WITH SensO₂ — Every 3 years of continuous use (Equivalent to 26,280 hours)							
Check Oxygen Concentration (green indicator light)							
Clean/Replace Cabinet Filter(s) (Refer to Cleaning the Cabinet Filter.)							
Check/Replace Outlet HEPA Filter*							
Check/Replace Compressor Inlet Filter*							
Check Power Loss Alarm*							
*To be conducted by provider or qualified service technician. Refer to service manual.							

7 After Use

7.1 Recycling Information

This product has been supplied from an environmentally aware manufacturer who complies with the Waste Electrical and Electronic Equipment (WEEE) Directive 2012/19/EU. This product may contain substances that could be harmful to the environment if disposed of in places (landfills) that are not appropriate according to legislation.

Follow local governing ordinances and recycling plans regarding disposal of the concentrator or components normally used in operation. The concentrator does not generate waste or residue in operation.

- DO NOT dispose of the concentrator in the normal waste stream.
- Any accessories not part of the concentrator MUST be handled in accordance with the individual product marking for disposal.
- DO NOT dispose of the internal or supplemental battery packs. Battery packs should be returned to your dealer/provider.

Invacare® is continuously working towards ensuring that the company's impact on the environment, locally and globally, is reduced to a minimum. We comply with the current environmental legislation (e.g. WEEE and RoHS directives). We only use REACH compliant materials and components.

7.2 Wear and Tear

Invacare reserves the right to ask for any item back that has an alleged defect in workmanship. See Warranty that shipped with the product for specific warranty information.

Refer to the User Manual for proper preventative maintenance schedule and use of the product.

This is just a general guideline and does not include items damaged due to abuse and misuse.

Normal wear and tear items and components for this product are listed below.

- All types of filters
- All types of tubing
- All types of batteries, including lead acid/lithium, coin cell (watch type) and gel (6 months)





Sieve is a porous filtering material and is considered a wear item. Some factors that could affect sieve material life include humidity, temperature, particulates, air contaminants, air intake, vibration and other environmental conditions.

8 Troubleshooting

8.1 Troubleshooting

SYMPTOM	PROBABLE CAUSE	SOLUTION
<p>Alarm: Short Beeps, long pause Concentrator not operating, power switch On. Beep...Beep...</p>	<p>Main Power Loss:</p> <ol style="list-style-type: none"> 1. Power cord not plugged in. 2. No power at outlet. 3. Tripped circuit breaker. 	<ol style="list-style-type: none"> 1. Insert plug into outlet. 2. Inspect house circuit breakers or fuses. If problem recurs, use a different outlet. 3. Push/reset circuit breaker. If problem recurs, call service provider.
<p>Alarm: Continuous Concentrator not operating, power switch On. Beep...</p>	<p>System Failure:</p> <ol style="list-style-type: none"> 1. Unit overheating due to blocked air intake. 2. Insufficient power at outlet. 3. Internal repairs required. 	<ol style="list-style-type: none"> 1. <ol style="list-style-type: none"> a. Remove and clean cabinet filters. b. Move oxygen concentrator at least 12 in (30, 5 cm) away from walls, draperies or furniture. 2. DO NOT use extension cords. Move to another electrical outlet or circuit. 3. Call service provider.

SYMPTOM	PROBABLE CAUSE	SOLUTION
<p>Alarm: YELLOW or RED light Illuminated. Alarm: Continuous On RED light</p> <p> * Only applies to SensO₂ models.</p>	<p>System Failure:</p> <ol style="list-style-type: none"> 1. Low oxygen purity.* 2. Kinked or blocked tubing, cannula or humidifier.* 3. Flowmeter set at 0.5 L/min*. 4. Unit overheating due to blocked air intake. 5. Insufficient power at outlet. 6. Internal repairs required. 	<ol style="list-style-type: none"> 1. Clean or Replace filters. 2. Inspect for kinks or blockages. Correct, clean or replace item. Once corrected, turn power Off for 60 seconds and then turn power back On. 3. Check flowmeter is set to 1.0 L/min or more. Refer to Typical Product Parameters. 4. <ol style="list-style-type: none"> a. Remove and clean cabinet filters. b. Move concentrator at least 12 in (30,5 cm) from walls, draperies, and furniture. 5. DO NOT use extension cords. Move to another electrical outlet or circuit. 6. Call Service Provider.
<p>GREEN light with YELLOW Light Flashing.</p>	<ol style="list-style-type: none"> 1. Internal repairs required. 	<ol style="list-style-type: none"> 1. Call Service Provider.
<p>Alarm: Rapid Beep...Beep... Beep...Beep</p>	<p>Potential Obstruction Alert</p> <ol style="list-style-type: none"> 1. Possible internal obstruction in the oxygen path. Kinked or blocked tubing, cannula or humidifier. 2. Flowmeter set at 0.5 L/min. 	<ol style="list-style-type: none"> 1. Inspect for kinks or blockages. Correct, clean or replace item. Once corrected, turn power Off for 60 seconds and then turn power back ON. 2. Flowrates less than 1 L/min are not recommend. <p> The use of the pediatric flowmeter will deactivate the Potential Obstruction Alert.</p>

9 Technical data

9.1 Typical Product Parameters

Electrical Requirements:	230 VAC + 10, -15% (253 VAC/195.5 VAC), 50 Hz
Rated Current Input:	1.4 A (IRC5LXO2AWQ)
	2.0 A (IRC5LXAW, IRC5LXO2AW)
	2.3 A (IRC9LXO2AWQ)
Sound Level:	39.5 dB Average
	44 dB Average (IRC5LXAW, IRC5LXO2AW)
	50 dB Average (IRC9LXO2AWQ)
Altitude:	Up to 1,828 m (6,000 ft) above sea level without degradation of concentration levels. NOT RECOMMENDED FOR USE ABOVE 1828 m (6,000 ft). Atmospheric Pressure Range: 101.33 kPa – 81.22 kPa
	For IRC9LXO2AWQ - Up to 4,000 ft (1230 m) above sea level without degradation of concentration levels. Atmospheric Pressure Range: 101.33 kPa – 88.0 kPa
*Oxygen Output Concentration Levels: All 5LXO2AWQ/5LXAW / 5LXO2AW /9LXO2AWQ models	IRC5LXAW, IRC5LXO2AW and IRC5LXO2AWQ 93% minimum at 1 to 3 L/min. 91% minimum at 4 L/min. 87% minimum at 5 L/min. (maximum recommended flow)

<p>i *Concentration levels achieved after initial warm-up period (approximately 30 minutes)</p>	<p>IRC9LXO2AWQ 92% minimum at 1 to 2 L/min. 93% minimum at 3 to 7 L/min. 91% minimum at 8 L/min. 87% minimum at 9 L/min.</p>
<p>Maximum Outlet Pressure:</p>	<p>IRC5LXAW, IRC5LXO2AW, IRC5LXO2AWQ 34.5 ± 3.45 kPa (5 ± 0.5 psi)</p>
	<p>IRC9LXO2AWQ 62.0 kPa ± 3.45 kPa (9 ± 0.5 psi)</p>
<p>Flow Range:</p>	<p>IRC5LXAW, IRC5LXO2AW, IRC5LXO2AWQ 0.5 to 5 L/min. Flowrates less than 1 L/min. are not recommended</p>
	<p>IRC9LXO2AWQ 1 L/min. to 9 L/min. Flowrates less than 1 L/min. are not recommended</p>
<p>Potential Obstruction Alert:</p>	<p>The concentrator detects a condition that may indicate a potential obstruction of the output oxygen. Rapid audible beeping alert (this alert is deactivated when accessories are connected). May be associated with flow setting of 0.5 L/min or less.</p>
<p>Average Power Consumption:</p>	<p>IRC5LXO2AWQ 300 W 280 W at 3 L/min.</p>
	<p>IRC5LXO2AW 365 W 340 W at 3 L/min.</p>

	<p>IRC5LXAW 380 W</p>
	<p>IRC9LXO2AWQ 460 W</p>
Pressure Relief Mechanism Operational at:	241 kPa ± 24.1 kPa (35 psi ± 3.5 psi)
Change in maximum recommended flow when back pressure of 7kPa is applied:	0.7 L/min
Filters:	Cabinet (2), Outlet HEPA and Compressor Inlet
Safety System:	<p>Current overload or line surge shutdown. High temperature compressor shutdown. High Pressure Alarm w/compressor shutdown. Low Pressure Alarm w/compressor shutdown. Battery Free Power Loss Alarm. SensO₂ Oxygen System Possible Obstruction Alert.</p>
Width:	46.7 cm ± 1 cm (18 3/8 in ± 3/8 in)
Height:	67.0 cm ± 1 cm (26 3/8 in ± 3/8 in)
Depth:	36.5 cm ± 1 cm (14 3/8 in ± 3/8 in)
Weight:	<p>IRC5LXAW, IRC5LXO2AW, IRC5LXO2AWQ 23.6 kg ± 1 kg (52 lbs ± 2 lbs)</p>
	<p>IRC9LXO2AWQ 24.0 kg ± 1 kg (53 lbs ± 2 lbs)</p>

Shipping Weight:	IRC5LXAW, IRC5LXO2AW, IRC5LXO2AWQ 26.8 kg ± 1 kg (59 lbs ± 2 lbs)
	IRC9LXO2AWQ 27.2 kg ± 1 kg (60 lbs ± 2 lbs)
Operating Ambient Temperature:	10° C - 35° C (50° F - 95° F) at 20-60% relative humidity
Cabinet:	Impact Resistant flame-retardant plastic cabinet that conforms to UL 94-V0
Standards and Regulatory Listing:	IRC5LXAW/IRC5LXO2AW/ IRC5LXO2AWQ/IRC9LXO2AWQ ETL tested as complying with: EN55011 EN61000-3-2 EN61000-3-3 IEC 60601-1, A1, A2 IEC 60601-1-2
CE marking models:	IRC5LXO2AW, IRC5LXO2AWQ, IRC9LXO2AWQ ISO8359 MDD MDD 93/42/EEC
Electrical:	No extension cords

<p>Placement:</p>	<p>No closer than 30,5 cm (12 in) from any wall, furniture, draperies, furniture or similar surfaces to assure sufficient air flow.</p> <p>Avoid deep pile carpets and heaters, radiators or hot air registers.</p> <p>Floor location only.</p> <p>No confined spaces (Example: No closets).</p>
<p>Tubing:</p>	<p>IRC5LXAW, IRC5LXO2AW, IRC5LXO2AWQ</p> <p>2.1 m (7 ft) cannula with a maximum 15.2 m (50 ft) of Crush-Proof Tubing (DO NOT pinch)</p>
	<p>IRC9LXO2AWQ</p> <p>Recommended use up to 15.2 M (50 ft) high flow tubing with high flow cannula at all flow rates.</p>
<p>Relative Humidity:</p>	<p>20 to 60%</p>
<p>Time of Operation:</p>	<p>Up to 24 hours per day</p>
<p>Recommended Storage and Shipping Temperature:</p>	<p>-29° C to 65° C (-20° F to 150° F) at 15-95% relative humidity</p>

Obsah

Tento návod k použití MUSÍ být poskytnut každému uživateli tohoto výrobku. PED pouitm vrobku si nvod prostudujte a pot ho uschovejte pro budouc pouit.

I Všeobecně	36
1.1 Symbol	36
1.2 Účel použití	38
1.3 Popis	38
1.4 Kontraindikace	39
1.5 Volitelné příslušenství	39
2 Bezpečnost	40
2.1 Umístění štítků	40
2.2 Obecné pokyny	42
2.3 Radiofrekvenční interference	45
3 Součásti	46
3.1 Identifikace součástí	46
4 Nastavení	47
4.1 Vybalení	47
4.2 Prohlídka	47
4.3 Skladování	47
5 Použití	48
5.1 Úvod	48
5.2 Volba umístění	48
5.3 Sestavení koncentrátoru	50
5.3.1 Sestavení zvlhčovače	50
5.3.2 Zapnutí koncentrátoru	52
5.3.3 Rychlost průtoku	52
5.3.4 Kontrolky čistoty kyslíku SensO ₂	53
5.3.5 Jednotky bez funkce SensO ₂	54

5.4 Alarm při výpadku napájení ze sítě	55
6 Údržba	56
6.1 Čištění kabinetu	56
6.2 Čištění skříňového filtru	57
6.3 Čištění zvlhčovače a tepelná dezinfekce	58
6.4 Čištění a dezinfekce mezi použitími u jednotlivých pacientů	58
6.5 Kontrolní seznam preventivní údržby	59
7 Po použití	61
7.1 Informace o recyklaci	61
7.2 Opatření	61
8 Řešení problémů	62
8.1 Řešení problémů	62
9 Technické údaje	64
9.1 Typické parametry přístroje	64

I Všeobecně

I.1 Symbol

V této příručce jsou používána signální slova, která označují rizika nebo nebezpečné postupy, jež mohou mít za následek poranění osob nebo hmotnou škodu. Definice signálních slov uvádí následující tabulka.



NEBEZPEČÍ!

– Nebezpečí znamená bezprostředně hazardní situaci, která, pokud se jí nevyhnete, bude mít za následek smrt nebo vážné zranění.



VAROVÁNÍ!

– Upozornění znamená potenciálně hazardní situaci, která, pokud se jí nevyhnete, by mohla mít za následek smrt nebo vážné zranění.



UPOZORNĚNÍ!

– Výstraha označuje možnou hazardní situaci, která, pokud se jí nepředejde, může mít za následek poškození majetku, lehké zranění, nebo obojí.



Dává užitečné tipy, doporučení a informace pro efektivní a bezproblémové používání.

Symbole v dokumentaci



Prostudujte si příručku



Nekouřit



Zákaz výskytu otevřeného ohně



Dvojitá izolace, třída II



Střídavý proud



Zařízení typu BF



Recyklaci



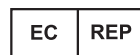
NEVYHAZUJTE v odpadu z domácností



Udržujte v suchu



Nebezpečí úrazu elektrickým proudem



Evropský zástupce



Výrobce



Volat dodavatele



**Tento výrobek vyhovuje požadavkům směrnice 93/42/EHS o zdravotnických prostředcích.

Datum uvedení tohoto výrobku na trh je uvedeno v prohlášení o shodě se směrnicemi ES.

Další podrobnosti o označení CE naleznete v části Obvyklé parametry výrobku.

Symbole uvedené na výrobku



Přístroj v provozu



Přístroj mimo provoz

Indikátory O₂

Symbol	Čistota O ₂	SVĚTELNÉ KONTROLKY (LED)
O ₂	SYSTÉM OKAY O ₂ nad 85%	ZELENÁ světelná kontrolka

	O ₂ od 73 % do 85 %	ŽLUTÁ světelná kontrolka A. ŽLUTÁ trvale svítící kontrolka B. ŽLUTÁ blikající kontrolka Porucha. Zavolejte kvalifikovaného technika.
	PORUCHA SYSTÉMU O ₂ pod 73%	ČERVENÁ světelná kontrolka Postupujte podle pokynů k odstraňování potíží.

Indikátory LX

Symbol	Čistota O ₂	SVĚTELNÉ KONTROLKY (LED)
I/O	SYSTÉM OKAY	ZELENÁ světelná kontrolka
	PORUCHA SYSTÉMU	ČERVENÁ světelná kontrolka Trvale slyšitelný zvukový alarm kompresoru Sieve-GARD™ Vypnutí Zavolejte kvalifikovaného technika.

1.2 Účel použití

Koncentrátor je určen k použití v domácím nebo nemocničním prostředí. Tento kyslíkový koncentrátor je určen k individuálnímu použití u pacientů s poruchami dýchání, jejichž stav vyžaduje dodatečné zásobování kyslíkem. Zařízení není určeno k udržování nebo podpoře životních funkcí.



NEBEZPEČÍ!

Nebezpečí úrazu nebo smrti

Tento produkt má být použita jako doplněk kyslíku, a není určen k životu nebezpečných a život-. **POUZE** používat tento produkt, pokud je pacient schopen spontánního dechu, inhalovat a vydechnout Incendio bez použití počítače.

- **NEPOUŽÍVEJTE** paralelně nebo sérii s jinými koncentrátory kyslíku nebo terapii kyslíku zařízení.



NEBEZPEČÍ!

Nebezpečí úrazu nebo smrti

V případě poruchy může v závislosti na zdravotním stavu pacienta při hodnotách průtoku vyšších než 5 l/m nastat zvýšené riziko vážného či smrtelného zranění.

- **VŽDY** se o tomto zvýšeném riziku poraďte s poskytovatelem zdravotní péče **PŘED** použitím výrobku, pokud máte předepsánu vyšší hodnotu průtoku než 5 l/m.



NEBEZPEČÍ!

Nebezpečí úrazu nebo smrti

Společnost Invacare usiluje o to, aby vyráběla nejlepší kyslíkový koncentrátor, který současný trh nabízí, přesto však může dojít k přerušení produkce kyslíku kyslíkovým koncentrátorem z důvodu výpadku napájení nebo poruchy přístroje.

- **VŽDY** mějte připraven záložní zdroj O₂.
- Pokud koncentrátor přestane dodávat kyslík, informuje krátkým alarmem pacienta, aby přepnul na záložní zdroj O₂. Další podrobnosti naleznete v části věnované odstraňování potíží.



VAROVÁNÍ!

Nebezpečí zranění nebo poškození

Použití tohoto produktu mimo zamýšlené použití a produktových parametrů nebyla testována a může vést k poškození výrobku, ztráta funkce výrobku, nebo zranění osob.

- **NEPOUŽÍVEJTE** tento výrobek v žádné jiné než popsané v parametrech výrobku a zamýšlené použití části tohoto manuálu způsobem.

1.3 Popis

Koncentrátor Invacare Platinum je určen pro pacienty s poruchami dýchání, kteří vyžadují dodatečný kyslík. Přístroj není určen na udržení nebo podporu životních funkcí.

Koncentrace kyslíku na výstupu plynu se pohybuje v rozmezí od 87% do 95,6%. Kyslík se dodává do těla pacienta pomocí nosní kanyly.

Koncentrátor Invacare Platinum používá metodu molekulárního síta a cyklické tlakové adsorpce k vytváření výstupu plynného kyslíku.

Vnější vzduch vstupuje do přístroje, kde je filtrován a následně stlačen. Tento stlačený vzduch je veden směrem k jednomu ze dvou lůžek s dusíkovými adsorpčními sítí.

Koncentrovaný kyslík vychází z opačného konce lůžka s aktivním sítem a je veden do kyslíkového zásobníku, odkud je přiváděn k pacientovi.

Koncentrátor Invacare Platinum umožňuje ovládání pacientem v domácím nebo nemocničním prostředí. Přístroj je napájen ze zdroje s jmenovitými hodnotami 230 V AC / 50 Hz.

Informace o servisních službách budou poskytnuty na požádání, a to výhradně kvalifikovanému technickému personálu.

I.4 Kontraindikace

Společnost Invacare si není vědoma žádných kontraindikací přístroje Invacare Platinum Concentrator Series.

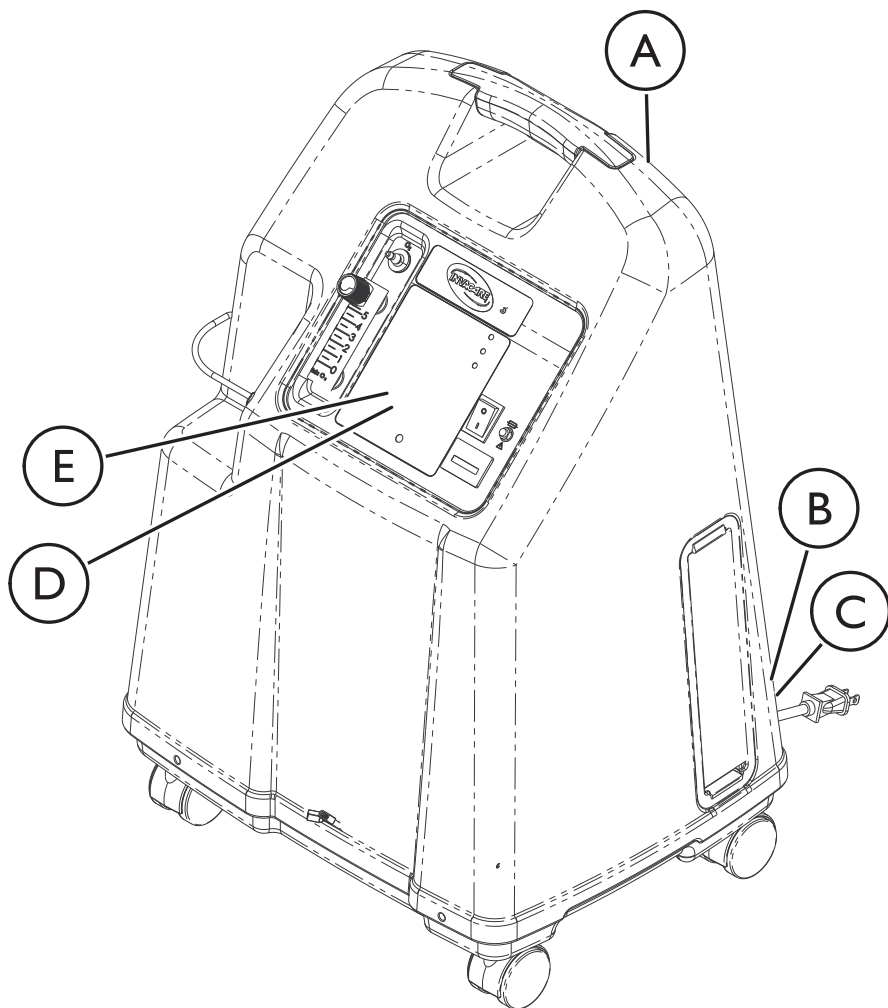
I.5 Volitelné příslušenství

Existuje mnoho různých typů zvlhčovačů, kyslíkových hadiček, kanyl a masek, které lze s tímto přístrojem používat. Můžete se poradit s místním dodavatelem produktů pro domácí zdravotní péči, který z těchto přístrojů je pro vás nejvhodnější. Poskytne vám rovněž rady ke správnému použití, údržbě a čištění.

Z důvodu zajištění bezpečnosti pacienta i ostatních osob musí příslušenství (nosní kanyla, maska, hadička, zvlhčovač atd.) sloužící k dodávání kyslíku pacientovi obsahovat prostředek, který brání šíření ohně. Pokud je součástí příslušenství běžně dostupný uzávěr průtoku aktivovaný při požáru, umístěte jej co nejbližší pacientovi.

2 Bezpečnost

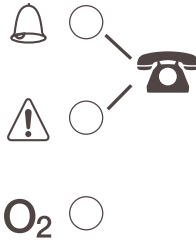
2.1 Umístění štítků



Ⓐ	Štítek se sériovým číslem se nachází na sestavě sání rezonátoru.
Ⓑ	Štítek s technickými údaji se nachází na zadní straně koncentrátoru u základny.
Ⓒ	Štítek dvojité izolace se nachází na zadní straně koncentrátoru u základny.

IRC5LX02AW, IRC5LX02AWQ, IRC9LX02AWQ

Koncentrátor HomeFill® II
kompatibilní
modelem
SensO₂®



POKYNY K BEZPEČNÉMU POUŽITÍ A
INFORMACE O ALARMECH, ZVU-
KOVÝCH UPOZORNĚNÍCH A POUŽITÍ
PŘÍSLUŠENSTVÍ ZÍSKÁTE V NÁVODU
K POUŽITÍ NEBO U POSKYTOVATELE
DOMÁČÍHO VYBAVENÍ.

**⚠ NEBEZPEČÍ RIZIKO POŽÁRU – ZÁKAZ KOUŘENÍ
A POUŽITÍ OTEVŘENÉHO OHNĚ
NEBO HOŘLAVIN**



VEŠKERÉ hořlaviny uchovávejte mimo místnost, v níž se tento výrobek nachází, a mimo místa, kde se podává kyslík. Textilie, oleje a jiné hořlaviny se na kyslíkem obohaceném vzduchu snadno vznítí a hoří s vyšší intenzitou.

**⚠ NEBEZPEČÍ RIZIKO ÚRAZU ELEKTRICKÝM
PROUDEM** 

NESNÍMEJTE kryt. Servis přenechejte kvalifikovaným servisním pracovníkům.

D

E

IRC5LXAW

2.2 Obecné pokyny

Tyto pokyny MUSÍ být dodrženy, aby byly instalace, sestavení a provoz koncentrátoru Perfecto₂ bezpečné.



NEBEZPEČÍ!

Riziko smrti, zranění, nebo poškození

Nesprávné použití výrobku může způsobit smrt, úraz nebo poškození. Tato kapitola obsahuje důležité informace pro bezpečný provoz a používání tohoto výrobku.

- NEPOUŽÍVEJTE TENTO VÝROBEK ANI JINÉ DOSTUPNÉ DOPLŇKOVÉ ZAŘÍZENÍ ANIŽ BYSTE SI ÚPLNĚ PŘEČETLI A POCHOPILI TYTO INSTRUKCE A JAKÝKOLI DALŠÍ MATERIÁL S INSTRUKCEMI, JAKO NAPŘ. NÁVOD K POUŽITÍ, NÁVOD K OBSLUZE NEBO KARTY S INSTRUKCEMI, KTERÉ JSOU DODÁVÁNY S TÍMTO VÝROBKEM NEBO DOPLŇKOVÝM ZAŘÍZENÍM.
- POKUD NEROZUMÍTE UPOZORNĚNÍM, VÝSTRAHÁM NEBO INSTRUKCÍM, OBRAŤTE SE NA ODBORNÍKA VE ZDRAVOTNICTVÍ, DEALERA NEBO TECHNICKÝ PERSONÁL DŘÍVE, NEŽ ZAČNETE TOTO ZAŘÍZENÍ POUŽÍVAT.
- Zkontrolujte všechny externí komponenty a na krabičce za škodu. V případě poškození, nebo v případě, že výrobek nefunguje správně, obraťte se na technika nebo Invacare pro opravu.
- Informace obsažené v tomto dokumentu mohou být bez upozornění měněny.



NEBEZPEČÍ!

Riziko smrti, zranění, nebo poškození před ohněm

Textil, olej nebo ropné látky, tuk, mastné látky a ostatní spalitelné látky jsou snadno vznítit, a hoří s velkou intenzitou kyslíkem obohaceného vzduchu, a když je ve styku s kyslíkem pod tlakem. Aby nedošlo k požáru, úmrtí, úrazu nebo poškození:

- Při používání tohoto zařízení NEKUŘTE.
- Nepoužívejte v blízkosti otevřeného ohně nebo ostatním zápalným zdrojům.
- NEPOUŽÍVEJTE žádné maziva na koncentrátoru, pokud doporučuje Invacare.
- Je nutno zřetelně umístit nápisy ZÁKAZ KOUŘENÍ.
- Zabraňte vzniku jisker v okolí lékařských kyslíkových přístrojů. Tato nutnost se vztahuje i na jiskry statické elektřiny tvořené libovolným typem tření.
- Odstraňte všechny zápalky, hořící cigarety nebo jiné zdroje vznícení z místnosti, kde se tento produkt nachází a z místa, kde se kyslík používá.
- Kyslíkové hadice, kabel a přístroj uchovávejte odděleně od vyhřívaných nebo horkých povrchů, včetně teplometů, příkrývek, kamen a podobných elektrických přístrojů.



UPOZORNĚNÍ!

Federal (statutární pracovní místa) zákon omezuje toto zařízení k prodeji nebo na příkaz lékaře licencovaným vládní agenturou, kde on / ona praktikuje.

- Nákup či použití tohoto přístroje může nařídít POUZE lékař s příslušnou licenci.



NEBEZPEČÍ!

Riziko smrti, zranění, úrazu elektrickým proudem

Pro snížení rizika popálenin, elektrickým proudem, smrt nebo zranění osob:

- **NEROZEBÍRAT.** Servis ponechejte kvalifikovanému personálu. Tam nejsou žádné uživatelem opravitelné části.
- Nepoužívejte při koupání. Pokud lékař předepisuje nepřetržité použití: Koncentrátor musí být umístěn v jiné místnosti ve vzdálenosti nejméně 2,5 m od vany.
- **NEDOTÝKEJTE** se koncentrátoru mokří.
- **NEUMÍSTŮJTE** výrobek na místa, kde by mohl spadnout do vody, ani jej na takovýchto místech neuchovávejte.
- **NESAHEJTE** pro výrobek, který spadl do vody. **OKAMŽITĚ** jej vypněte vytažením kabelu ze zásuvky.
- Nepoužívejte roztřepené nebo poškozené AC adaptér šňůry.



VAROVÁNÍ!

Nebezpečí zranění nebo poškození

- Výrobky společnosti Invacare jsou specificky zkonstruovány a vyráběny tak, aby je bylo možno použít v kombinaci s doplňkovým příslušenstvím od společnosti Invacare. Doplňky zkonstruované jinými výrobci nebyly testovány společností Invacare a jejich používání v kombinaci s výrobky společnosti Invacare se nedoporučuje.
- Existuje mnoho různých typů zvlhčovačů, kyslíkových hadiček, kanyl a masek, které lze s tímto přístrojem používat. Můžete se poradit s místním dodavatelem produktů pro domácí zdravotní péči, který z těchto přístrojů je pro vás nejvhodnější. Poskytne vám rovněž rady ke správnému použití, údržbě a čištění.



NEBEZPEČÍ!

Nebezpečí úrazu nebo smrti

Aby nedošlo k dušení nebo požití chemikálií z kontaminace dýchacích cest:

- Nepoužívejte koncentrátor v přítomnosti znečišťujících látek, kouř, výpary, hořlavými anestetiky, čisticí prostředky, nebo chemické výpary.



VAROVÁNÍ!

Nebezpečí úrazu nebo smrti

Abyste zabránili zranění nebo usmrcení před zneužitím produktu:

- Ostře dohlížet, pokud je to koncentrátor používán nebo v blízkosti dětí nebo tělesně postižené-jedinců.
- Monitor pacienty pomocí tohoto zařízení, kteří jsou schopni vidět nebo slyšet alarmy či komunikovat nepohodlí.



VAROVÁNÍ!

Nebezpečí úrazu nebo úmrtí

Ochrana před udušením nebo uškrcením v důsledku zapletení hadiček:

- Chraňte nosní kanylu a hadičky před dětmi a zvířaty.
- V případě použití nosní kanyly dětmi či postiženými osobami nebo v jejich blízkosti je nutný přímý dohled.



VAROVÁNÍ!

Nebezpečí úrazu nebo smrti

Aby se snížilo riziko zranění nebo smrti od nemoci:

- Vyměňte nosní kanylu na pravidelném základě. Informujte se u svého poskytovatele zařízení nebo lékaře určit, jak často má být kanyla vyměněna.
- NESDÍLEJTE kanyly mezi pacienty.



VAROVÁNÍ!

Nebezpečí poranění

Změna v nadmořské výšce může mít vliv na celkový kyslík vám k dispozici. Chcete-li zabránit nedostatku kyslíku:

- Před cestou do vyšších či nižších nadmořských výškách k určení, zda by se mělo změnit nastavení průtoku. Poradte se s lékařem.



VAROVÁNÍ!

Nebezpečí zranění nebo poškození

Abyste předešli zranění nebo poškození z míchy zneužitím:

- NEPŘEMÍSTUJTE koncentrátor tahem za kabel.
- Nepoužívejte prodlužovací šňůry s AC napájecích adaptérů.
- Správně uchovávat a umístěte elektrické šňůry a / nebo hadice, aby se zabránilo zakopnutí.



VAROVÁNÍ!

Nebezpečí zranění nebo poškození

Abyste předešli zranění nebo poškození před zneužitím:

- NIKDY nenechávejte bez dozoru koncentrátor v zasunutém stavu.
- Ujistěte se, že koncentrátor je pryč, když se nepoužívá.
- Venkovní použití musí být prováděny pouze s výkonem interní nebo doplňkové baterie.

**VAROVÁNÍ!****Nebezpečí zranění nebo poškození**

Invacare koncentrátory kyslíku jsou speciálně navrženy tak, aby se minimalizovalo běžné preventivní údržby.

Abyste předešli zranění nebo poškození:

- Pouze profesionálové z oblasti zdravotní péče nebo osobami plně obeznámeni s tímto procesem, jako tovární vyškolení personálu by měl provádět preventivní údržbu nebo úpravy výkonu na koncentrátoru kyslíku, s výjimkou úkolů popsanych v této příručce.
- Uživatelé by se měli obrátit na svého prodejce nebo Invacare o servis.

**UPOZORNĚNÍ!****Nebezpečí poškození**

Aby nedošlo k poškození kapalného vniknutí:

- Pokud koncentrátor nefunguje správně, pokud spadl na zem nebo je poškozen nebo spadl do vody, volejte zařízení poskytovatele / kvalifikovaného technika ke kontrole a opravě.
- NEVKLÁDEJTE ani neupus'te do žádného z jeho otvorů žádné předměty.
- Invacare doporučuje koncentrátor neměl být používán v dešti.

2.3 Radiofrekvenční interference

**VAROVÁNÍ!****Nebezpečí úrazu nebo poškození**

Snížení rizika poranění nebo poškození výrobku v důsledku rušení s bezdrátovými zařízeními:

- Udržujte koncentrátor ve vzdálenosti nejméně 3,0 m (9,8 stopy) od bezdrátových komunikačních zařízení, jako jsou zařízení domácí bezdrátové sítě, mobilní telefony, bezdrátové telefony a základní stanice, vysílačky atd.

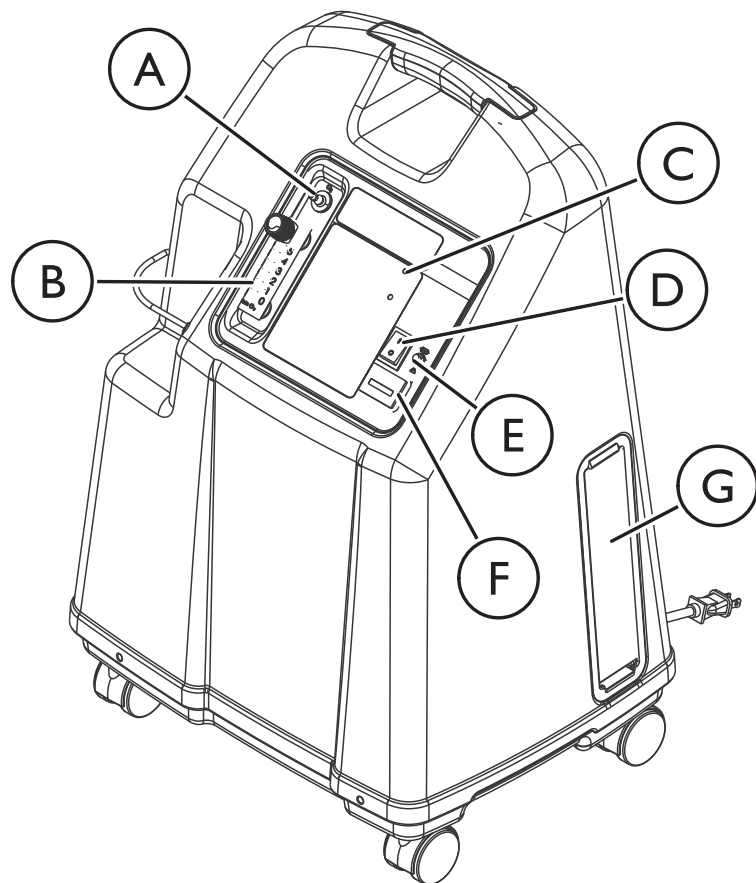
Toto zařízení bylo testováno a shledáno v souladu s limity stanovenými EMC IEC / EN 60601-1-2. Tyto limity jsou navrženy tak, aby poskytnout přiměřenou ochranu proti elektromagnetickému rušení v typické zdravotnické instalaci.

Další zařízení může docházet k rušení iz nízké úrovně elektromagnetických emisí povolených podle výše uvedených norem. Chcete-li zjistit, zda jsou emise z koncentrátoru jsou příčinou rušení, vypněte koncentrátoru Off. Pokud rušení s jiným zařízením (y) se zastaví, pak koncentrátor způsobuje rušení. V těchto vzácných případech, rušení může být snížena nebo korigovat jedním z následujících opatření:

- Přemístění, přemístit, nebo zvýšit odstup mezi zařízením.
- Připojte zařízení do zásuvky na jiném okruhu, než do kterého je jiné zařízení (y) připojen.

3 Součásti

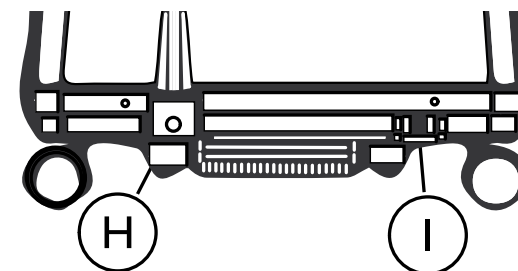
3.1 Identifikace součástí



Ⓐ	Výstup kyslíku
Ⓑ	Měřič průtoku
Ⓒ	Světelné kontrolky čistoty kyslíku a závad/Světelné kontrolky závad a napájení

Ⓓ	Vypínač proudu
Ⓔ	Elektrická pojistka
Ⓕ	Měřič uplynulého času
Ⓖ	Skříňový filtr

Pohled zezadu



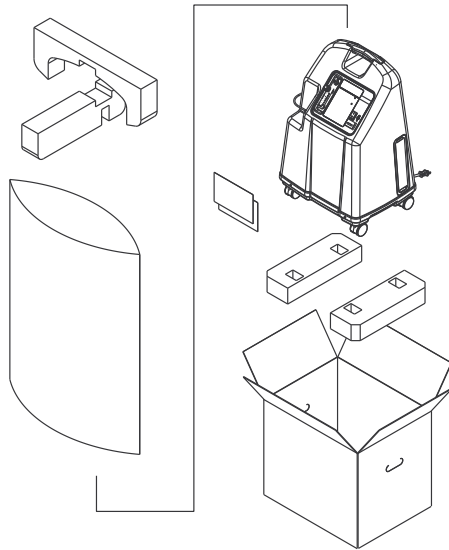
Ⓕ	Napájecí kabel
Ⓖ	Výstupní přípojka pro kompresor HomeFill

i DOPLŇKY (NEJSOU ZOBRAZENY): Domácí kompresor kyslíku HomeFill

Výstupní přípojka pro kompresor HomeFill ⑥ je určena výhradně k použití při plnění kyslíkových válců pomocí domácího kyslíkového kompresoru HomeFill. Výstupní přípojka nemá vliv na funkci koncentrátoru. Pokyny k připojení a provozu naleznete v uživatelské příručce k zařízení HomeFill. Pokud výstupní přípojku nepoužíváte, uzavřete ji pomocí zátky dodávané s koncentrátorem. Další informace o zařízení HomeFill získáte od prodejce společnosti Invacare.

4 Nastavení

4.1 Vybalení



1. Zkontrolujte, zda není pozorovatelné zjevné poškození krabice nebo jejího obsahu. Pokud je pozorovatelné poškození, informujte přepravce, nebo na místní prodejce.
2. Vyjměte z krabice všechny volné obalové materiály.
3. Pečlivě vyjměte z krabice všechny součásti.



Pokud kyslíkový koncentrátor nepotřebujete použít **IHNED**, ponechte jej uskladněný v obalu, dokud jej nebudete používat.

4.2 Prohlídka

1. Prohlédněte vnější části koncentrátoru a zkontrolujte, zda nejsou patrné odřeniny, promáčknutí, trhliny, poškrábání nebo jiná poškození.
2. Prohlédněte všechny součásti.

4.3 Skladování

1. Opětovně zabalený koncentrátor kyslíku uchovávejte na suchém místě. Teploty pro skladování jsou uvedeny v části Obvyklé parametry výrobku.
2. **NEPOKLÁDEJTE** jiné předměty na povrch opětovně zabaleného koncentrátoru.

5 Použití

5.1 Úvod

Kyslíkový koncentrátor je určen k individuálnímu použití ve vnitřních prostorách. Jedná se o elektronické zařízení, které slouží k oddělování kyslíku od vzduchu v místnosti. Toto zařízení vám bude dodávat vysoké koncentrace kyslíku přímo nosní kanylou. Klinické studie dokládají, že koncentrátory kyslíku jsou z terapeutického hlediska rovnocenné jiným typům systémů dodávajících kyslík.

Váš dodavatel vám ukáže, jak se váš koncentrátor kyslíku používá. Obrácejte se na svého dodavatele s veškerými otázkami a problémy souvisejícími s vaším koncentrátozem kyslíku. Tato příručka pro vlastníka vám poskytne informace o vašem koncentrátozu a bude vám při jeho používání sloužit jako referenční zdroj.

5.2 Volba umístění



VAROVÁNÍ!

Nebezpečí zranění nebo poškození

Aby nedošlo ke zranění nebo poškození v důsledku znečišťujících látek ve vzduchu a / nebo výparů a pro optimální výkon:

- Vyhledejte a umístěte koncentrátozu na dobře větraném prostoru tak, aby přívod vzduchu a vzduch výfuky nejsou ucpané.
- **NEBLOKUJTE** otvory pro vzduch na výrobku ani jej nepokládejte na měkké povrchy, jako je například lůžko nebo pohovka, kde by mohlo dojít k zablokování otvorů.
- Otvory je nutno chránit před vlasy, vlasy a obdobných zahraničních předměty.
- Mějte koncentrátozu nejméně 12 palců (30,5 cm) od stěn, závěsy a nábytek.
- Vyvarujte se používání v přítomnosti polutantů, kouři, hořlavých anestetik, čisticích prostředků nebo chemických výparů.
- Umístěte koncentrátozu v dobře větraném prostoru, aby se zabránilo ve vzduchu znečišťujících látek a / nebo výparů.
- **NEPOUŽÍVEJTE** ve skříni.



VAROVÁNÍ! **Nebezpečí úrazu**

Ochrana před úrazem při terapii:

- Kyslíkový koncentrátor **MUSÍ** být při používání umístěn na rovné ploše.
- **NEPŘEMISŤUJTE** kyslíkový koncentrátor, když jej používáte.

Zvolte si ve vašem domě místnost, ve které bude použít koncentrátoru kyslíku nejpohodlnější. Koncentrátor lze snadno přemístit z jedné místnosti do druhé pomocí koleček.

Správnou funkci kyslíkového koncentrátoru zajistíte dodržáním provozních podmínek uvedených v následující tabulce.

Důsledkem používání v jiném než popsaném prostředí mohou být zvýšené nároky na údržbu přístroje. Přívod vzduchu do přístroje by se měl nalézat v dobře větrané oblasti, kde se nenalézají vzdušné nečistoty a/nebo kouř.

Doporučení pro optimální výkon

Teplota:	10°C - 35°C
Napájení elektřinou:	Bez prodlužovací šňůry.
Umístění:	Nejméně 30,5 cm od stěn, závěsů, nábytku a podobně.
Hadice a kanyla:	IRC5LXAW, IRC5LXO2AW, IRC5LXO2AWQ kanyla o délce 2,1 m s maximální délkou 15,2 m hadice Crush-Proof (NEPØISKØÍPNOUT).

	IRC9LXO2AWQ Pro všechny prtokové rychlosti se doporučuje používat až 15,2 m (50 stop) dlouhou vysokoprtokovou trubici s vysokoprtokovou kanylou.
Okolní prostředí:	Bez kouře a sazí. Neumisťovat do stísněného prostoru (příklad: skříně).
Relativní vlhkost:	20 až 60%
Doba provozu:	Až 24 hodin denně.
Rychlost průtoku:	IRC5LXAW, IRC5LXO2AW, IRC5LXO2AWQ 0,5 l/min až 5 l/min. Použití nižších rychlostí průtoku než 1 l/min se nedoporučuje.
	IRC9LXO2AWQ 1 l/min. až 9 l/min. Nejsou doporučovány prtokové rychlosti nižší než 1 l/min
Minimální doba provozu:	30 minut



Zajistěte, aby se váš koncentrátor nalézal nejméně 30,5 cm od stěn, závěsů, nábytku a podobně, aby byl umožněn dostatečný průtok vzduchu. Pozor na koberce s vysokým vlasem, topná tělesa, radiátory a horkovzdušné ventily.

5.3 Sestavení koncentrátoru

1. Zasuňte napájecí kabel do elektrické zásuvky.
2. Připojte zvlhčovač (pokud byl předepsán).

5.3.1 Sestavení zvlhčovače



VAROVÁNÍ!

Nebezpečí zranění nebo poškození

Zabraňte popálení párou nebo horkou vodou, vdechnutí vody nebo poškození koncentrátoru vodou:

- **NENAPLŇUJTE** láhev zvlhčovače horkou vodou. Před plněním nechte převařenou vodu vychladnout na pokojovou teplotu.
- **NEPŮEPLŮJTE** zvlhčovač.
- Nasaďte a pevně utáhněte víčko zvlhčovače. Zkontrolujte, zda je víčko správně našroubováno na láhev zvlhčovače.
- **NEZAMĚŇUJTE** vstupní a výstupní přípojky kyslíku. Pokud dojde k záměně připojení vstupní a výstupní přípojky, bude voda z láhve zvlhčovače procházet přes kanylu zpět k pacientovi.
- Při použití spojek potrubí delších než 2,1 m (7 stop) umístěte zvlhčovač co nejbližší k pacientovi. Umožníte tak maximální zvlhčování.



VAROVÁNÍ!

Nebezpečí zranění nebo poškození

Nesprávná instalace láhve zvlhčovače nebo jiného příslušenství ke koncentrátoru může narušit průtok kyslíku.

- Kontrolu správného fungování kyslíkového koncentrátoru a příslušenství provedete tak, že umístíte konec nosní kanyly pod hladinu do poloviny naplněného šálku s vodou a budete sledovat, zda vznikají bubliny.
- Pokud bubliny nevznikají, zkontrolujte všechna spojení (včetně láhve zvlhčovače a dalšího příslušenství, pokud je použito) a kontrolu zopakujte. Pokud stále nedochází ke vzniku bublin, kontaktujte co nejdříve dodavatele nebo poskytovatele servisních služeb.

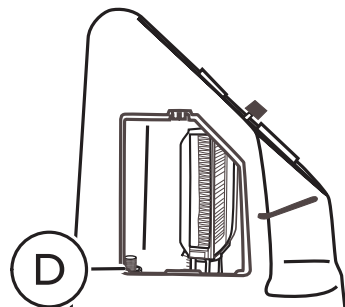
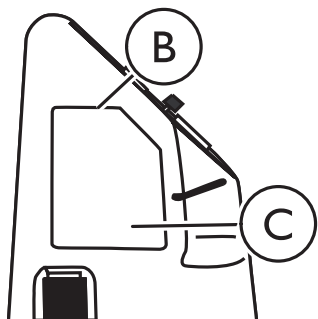
Plnění láhve zvlhčovače [Ⓐ]



1. Sejměte víčko z láhve.
2. Naplňte láhev [Ⓐ] zvlhčovače převařenou kohoutkovou nebo balenou vodou po úroveň stanovenou výrobcem. Kohoutkovou vodu převařte přibližně 10 minut a před použitím ji nechte vychladnout na pokojovou teplotu.

**UPOZORNĚNÍ!****Nebezpečí poškození**

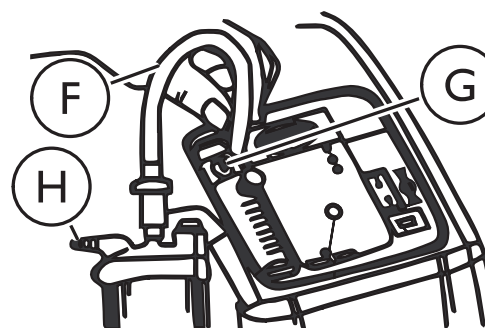
- Zkontrolujte, zda je víčko zvlhčovače správně našroubováno na láhev zvlhčovače.



3. Zasuňte plochý šroubovák do drážky **B** na horním okraji přístupových dvířek filtru **C** a jemným zapáčením dvířka otevřete.



4. Vytáhněte a vyjměte adaptér láhve **D** (vedle vstupního filtru).

**VAROVÁNÍ!****Nebezpečí poranění**

Zabraňte narušení průtoku kyslíku:

- Dbejte na správnou instalaci láhve zvlhčovače a dalšího příslušenství.

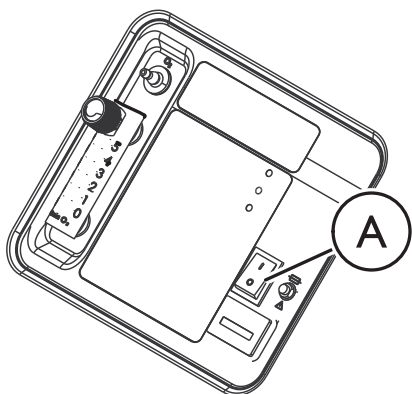
5. Připojte jej ke zvlhčovači otáčením křídlové matice na láhvi zvlhčovače proti směru hodinových ručiček, až bude bezpečně upevněn.
6. Při vkládání láhve zvlhčovače do přihrádky **E** v koncentrátoru připojte hadičku láhve/adaptéru zvlhčovače **F** ke konektoru výstupu kyslíku **G** na koncentrátoru.



Při použití spojek potrubí delších než 2,1 m (7 stop) umístěte zvlhčovač co nejbližší k pacientovi. Umožníte tak maximální zvlhčování.

7. Přívodní hadičku nosí kanyly pacienta připojte k výstupu láhve zvlhčovače **H**.
8. Po sestavení se ujistěte, že kanylou proudí kyslík.
9. Vraťte na místo dvířka pro přístup k filtru umístěná po straně koncentrátoru tak, že je zatlačíte zpět do žlábků v destičce.

5.3.2 Zapnutí koncentrátoru



1. Stiskněte vypínač **A** do zapnuté polohy.

i Všechny kontrolky na panelu a zvukové alarmy se na jednu sekundu zapnou, čímž se ukáže, že přístroj správně funguje.

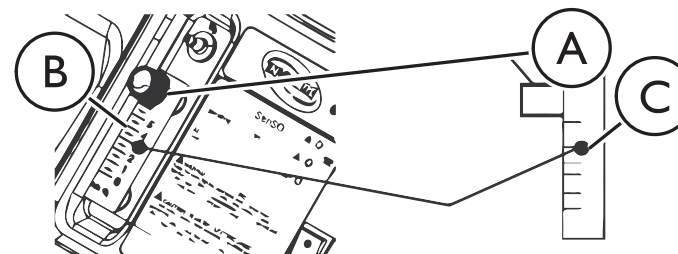
5.3.3 Rychlost průtoku



VAROVÁNÍ! **Nebezpečí poranění**

Zabraňte poranění v důsledku nadměrného nebo nedostatečného množství kyslíku:

- NEMÌÒTE nastavení l/min na měřiči průtoku, pokud nebyla změna předepsána vaším lékařem nebo terapeutem.
- NENASTAVUJTE vyšší průtok než 9 l/min.



1. Otáčejte knoflíkem **A** rychlosti průtoku na hodnotu předepsanou vaším lékařem nebo terapeutem.

i Aby bylo možné správně odečíst měřič průtoku **B**, nalezněte čáru předepsané rychlosti průtoku na měřiči. Poté otáčejte ovladačem průtoku, až se kulička **C** zdvihne k čáře. Nyní vycentrujte kuličku na čáru předepsaného nastavení v l/min.

2. Kdykoli se průtočné množství sledované průtokoměrem sníží po dobu delší než asi jedna minuta pod hodnotu 0,5 l/min, aktivuje se výstraha upozorňující na možnou překážku. To znamená rychlé pípání zvukového alarmu. Zkontrolujte hadice nebo doplňky, zda nedošlo k zablokování či zkroucení hadice nebo zda není láhev zvlhčovače vadná. Po obnovení jmenovitého průtočného množství v rozsahu mezi 0,5 l/min a 0,75 l/min, se výstraha upozorňující na možnou překážku vypíná.


i Výstraha upozorňující na možnou překážku označuje stav, který může souviset s částečným nebo úplným zablokováním kyslíkového výstupu.

TPoužití některých součástí příslušenství, jako například pediatrického průtokoměru PreciseRx™ a kompresoru HomeFill, má za následek deaktivaci výstrahy upozorňující na možnou překážku.

5.3.4 Kontrolky čistoty kyslíku SensO₂

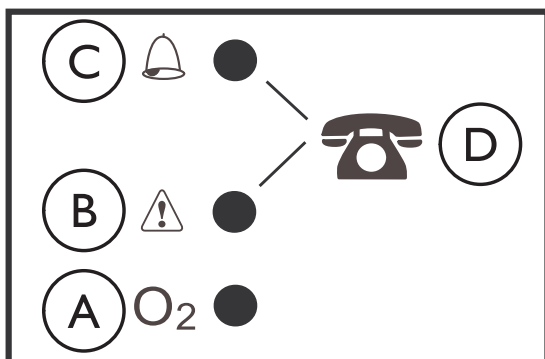
Tato funkce monitoruje čistotu kyslíku vytvářeného koncentrátorem kyslíku. Pokud čistota kyslíku poklesne pod přednastavenou standardní hodnotu, rozsvítí se kontrolka na ovládacím panelu.


Počáteční nastavení koncentrátoru



 Koncentrátor lze použít během počátečního zahřívacího období (přibližně 30 min) v průběhu čekání na maximální hodnotu čistoty O₂.

Při zapnutí přístroji se rozsvítí ZELENÁ kontrolka (SYSTÉM OK/O₂ více než 85 %). Po pěti minutách bude kyslíkový senzor pracovat normálně a ovládat kontrolky podle hodnot koncentrace kyslíku.

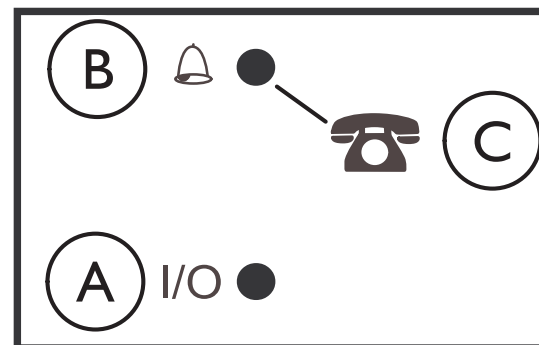
Vysvětlení ke kontrolkám čistoty kyslíku






	Symbol	Čistota O ₂	SVĚTELNÉ KONTROLKY (LED)	Vysvětlení
(A)	O ₂	SYSTEM OKAY O ₂ nad 85 %	ZELENÁ kontrolka	Není nutná žádná akce. Normální provoz. (Změna do normálního provozu.)
(B)		O ₂ od 73 % do 85 %	ŽLUTÁ kontrolka svítí	Okamžitě kontaktujte dodavatele. Koncentrátor můžete nadále používat, pokud nedostanete jiný pokyn od dodavatele. Mějte připraven záložní zdroj kyslíku.
			ŽLUTÁ kontrolka bliká	

	Symbol	Čistota O ₂	SVĚTELNÉ KONTROLKY (LED)	Vysvětlení
©		PORUCHA SYSTÉMU O ₂ pod 73 %	ČERVENÁ kontrolka (svítí)	ČERVENÁ světelná kontrolka Trvale slyšitelný zvukový alarm kompresoru Sieve-GARD™ Vypnutí PORUCHA SYSTÉMU. Úplné vypnutí přístroje. Okamžitě přepněte na záložní zdroj kyslíku a kontaktujte dodavatele.
ⓓ		—	—	Volat dodavatele

5.3.5 Jednotky bez funkce SensO₂



 Koncentrátor lze používat během počáteční fáze zahřívání (přibližně 30 minut). Během této doby dosáhne čistota O₂maxima.

	Kontrolka	Symbol	Vysvětlení
Ⓐ	ZELENÁ kontrolka	I/O	Normální provoz.
Ⓑ	ČERVENÁ kontrolka		ČERVENÁ světelná kontrolka Trvale slyšitelný zvukový alarm kompresoru Sieve-GARD™ Vypnutí TÚplné vypnutí přístroje. Okamžitě přepněte na záložní zdroj kyslíku a kontaktujte dodavatele.
Ⓒ	—		Volat dodavatele

5.4 Alarm při výpadku napájení ze sítě

System alarmů neobsahuje baterii a proto jej není třeba udržovat. System alarmů napájí kapacitor, který je trvale nabitý a je připraven spustit alarm při výpadku napájení ze sítě.

6 Údržba

6.1 Čištění kabinetu



NEBEZPEČÍ!

Nebezpečí zranění nebo poškození

Kyslíkové koncentrátory Invacare jsou speciálně navrženy tak, aby vyžadovaly minimální rutinní preventivní údržbu. Zabraňte poranění nebo poškození:

- Preventivní údržbu kyslíkového koncentrátoru může provádět pouze kvalifikovaný personál.
- Nesundávejte kryt.



NEBEZPEČÍ!

Nebezpečí zranění nebo poškození

Liquid poškodí vnitřní součásti koncentrátoru. Aby nedošlo k poškození nebo zranění elektrickým proudem:

- Vypnutí koncentrátoru a před čištěním odpojte napájecí kabel.
- NEDOVOLTE, aby jakýkoli čisticí prostředek okapat uvnitř vstupu vzduchu a výstupních otvorů.
- Nestříkejte nebo použít jakýkoli čisticí prostředek přímo do skříně.
- DO NOT hadice dolů produkt.



UPOZORNĚNÍ!

Nebezpečí poškození

Drsné chemické látky mohou poškodit koncentrátoru.

Aby nedošlo k poškození:

- DO NOT vyčistěte skříň nebo filtr s alkoholických výrobků a alkoholu na bázi (Isopropylalkohol), koncentrovaných výrobků na bázi chloru (ethylenchloridu), a ropných produktů na bázi (Pine-Sol® , Lestoil®) chlorid), a ropných produktů na bázi (Pine-Sol® , Lestoil®) nebo jiné kruté chemických látek. Používejte pouze jemný kapalina na mytí nádobí (jako je Dawn™).



Minimálně, preventivní údržba musí být provedena v souladu s pokyny rekordních údržba. V místech s vysokým prach nebo saze úrovní, může být nutné údržby provádět častěji.

Pravidelně čistěte kryt koncentrátoru následujícím způsobem:

1. Vnější kryt jemně očistěte pomocí navlhčeného hadříku nebo houbičky s jemným roztokem čisticího prostředku, např. prostředku na mytí nádobí Dawn™ .
2. Před uvedením koncentrátoru do provozu nechte koncentrátor uschnout nebo jej otřete suchým hadříkem.

6.2 Čištění skříňového filtru



UPOZORNĚNÍ!

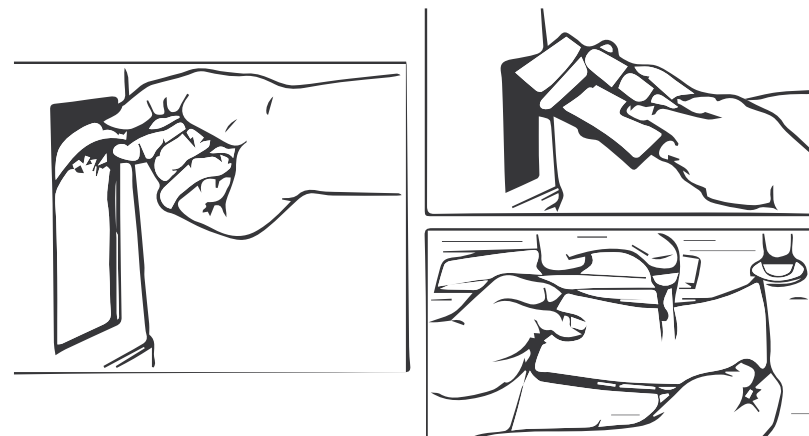
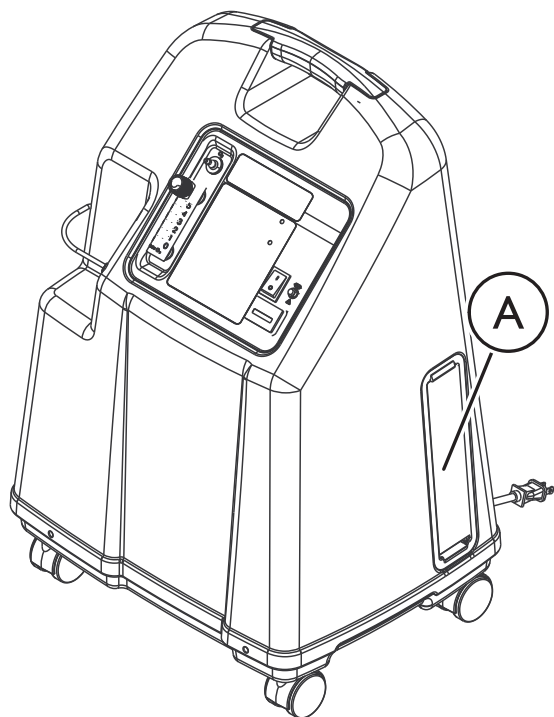
Nebezpečí poškození

Aby nedošlo k poškození z ucpaní:

- NEPOUŽÍVEJTE koncentrátor bez nainstalovaných filtrů.



Na obou stranách krytu se nacházejí filtry.



1. Podle potřeby filtr **A** vyndejte a vyčistěte



Okolní podmínky, které mohou vyžadovat častější čištění filtrů, mezi jiným zahrnují: vysoká prašnost, kouření, znečištěné ovzduší atd.

2. Vyčistěte filtr skříně s vysavačem nebo omýt jemným tekutým mytí nádobí (například Dawn™) a vody. Důkladně opláchněte.
3. Filtry důkladně vyčistěte a zkontrolujte, zda nejsou roztřepené, rozpadlé, roztržené nebo děravé. V případě jakéhokoli poškození filtr vyměňte.
4. Namontujte filtr zpět do krytu.

6.3 Čištění zvlhčovače a tepelná dezinfekce



Zvlhčovač kyslíku je třeba čistit a dezinfikovat denně. Zmenšíte tím množství vápencových usazenin a eliminujete možnou bakteriální kontaminaci. Řiďte se pokyny výrobce. Pokud výrobce žádné specifické pokyny nepodává, postupujte následovně:

1. Umyjte zvlhčovač mýdlovou vodou a opláchněte jej roztokem z deseti dílů vody a jednoho dílu octa.
2. Přístroj důkladně propláchněte horkou vodou.
3. Pečlivě vysušte vzduchem.



Chcete-li omezit růst bakterií, po vyčištění zvlhčovač důkladně vysušte vzduchem, pokud se nechystáte jej používat. Postupujte podle pokynů k přípravě pro použití.

6.4 Čištění a dezinfekce mezi použitími u jednotlivých pacientů



VAROVÁNÍ!

Nebezpečí zranění nebo poškození

Zabraňte poranění z důvodu infekce nebo poškození koncentrátoru:

- Čištění a dezinfekci kyslíkového koncentrátoru a příslušenství mezi použitími u jednotlivých pacientů může provádět pouze kvalifikovaný personál.



Postupujte dle následujících pokynů – eliminujete tak možný přenos patogenů mezi pacienty v důsledku kontaminace součástí nebo příslušenství. V případě potřeby proveďte při této činnosti i preventivní údržbu.

1. Zlikvidujte a vyměňte veškeré příslušenství pacienta, které není vhodné k použití u více pacientů. Týká se to (mimo jiných) následujících položek:
 - Nosní kanyla a hadička
 - Masky
 - Zvlhčovač
2. Proveďte postupy údržby popsané v této příručce a položky na Kontrolním seznamu preventivní údržby.
3. Zkontrolujte, zda koncentrátor není poškozen a nevykazuje známky, které by vyžadovaly servisní zásah nebo opravu.
4. Ujistěte se, že všechny funkce koncentrátoru a alarmy jsou v pořádku.
5. Před opětovným zabalením a odesláním novému pacientovi se ujistěte, že balení obsahuje koncentrátor, napájecí kabel, lopatku pro přívod vzduchu, pokyny k sestavení, zvlhčovač, kanylu, štítky a uživatelskou příručku.

6.5 Kontrolní seznam preventivní údržby

Model Ć:

Série Ć:

PŘI KAŽDÉ INSPEKCI							
Zapište datum servisu							
Zapište počet uplynulých hodin na měřiči hodin							
Vyčistěte filtry krytu. (Viz část Čištění filtru krytu.)							
Zkontrolujte předepsanou hladinu průtoku v l/min							
BĚHEM PLÁNOVANÉ PREVENTIVNÍ ÚDRŽBY NEBO MEZI DVĚMA PACIENTY							
JEDNOTKY BEZ FUNKCE SensO₂ – Vždy po 6 měsících (4 380 hodinách) nepřetržitého používání							
Zkontrolujte koncentraci kyslíku (zelenou kontrolku).							
Vyčistěte filtry krytu. (Viz část Čištění filtru krytu.)							
Zkontrolujte/vyměňte výstupní filtr HEPA*							
Zkontrolujte/vyměňte vstupní filtr kompresoru*							
Zkontrolujte poplašný signál při výpadku elektrického proudu							
JEDNOTKY S FUNKCÍ SensO₂ – Vždy po 3 letech (26 280 hodinách) nepřetržitého používání							
Zkontrolujte koncentraci kyslíku (zelenou kontrolku).							
Vyčistěte filtry krytu. (Viz část Čištění filtru krytu.)							
Zkontrolujte/vyměňte výstupní filtr HEPA*							
Zkontrolujte/vyměňte vstupní filtr kompresoru*							

Zkontrolujte poplašný signál při výpadku elektrického proudu							
*Tento postup je určen k provedení dodavatelem nebo kvalifikovaným servisním technikem. Viz servisní příručku.							

7 Po použití

7.1 Informace o recyklaci

Tento výrobek dodává ekologicky šetrný výrobce, který zaručuje splnění požadavků směrnice 2012/19/EU o odpadních elektrických a elektronických zařízeních (WEEE). Tento výrobek může obsahovat látky potenciálně škodlivé pro životní prostředí, bude-li zlikvidován na místech (skládkách), která nesplňují zákonné požadavky.

Při recyklaci běžně používaných koncentrátorů a součástí se řiďte příslušnými místními předpisy a pravidly. Koncentrátor při svém provozu nevytváří žádný odpad ani jiné zbytky.

- Koncentrátor nevyhazujte do komunálního odpadu.
- S veškerým příslušenstvím, které není součástí koncentrátoru, je nutné zacházet v souladu s příslušnými pokyny k likvidaci.
- Vnitřní ani náhradní baterie nevyhazujte. Baterie je nutné vrátit prodejci/dodavateli.

Společnost Invacare® se neustále snaží snižovat svůj dopad na životní prostředí – lokálně i globálně. Dodržujeme požadavky platných předpisů o ochraně životního prostředí (např. směrnic WEEE a RoHS). Používáme pouze materiály a součásti, které odpovídají požadavkům směrnice REACH.

7.2 Opotřebení

Společnost Invacare si vyhrazuje právo vyžádat si zpět jakékoli položky, které mohou mít vadu v provedení. Specifické informace o záruce naleznete v prohlášení o záruce dodaném s výrobkem.

Plán správné preventivní údržby a použití výrobku naleznete v uživatelské příručce.

Jedná se pouze o obecné pokyny, které se netýkají položek poškozených v důsledku nesprávného použití.

- Všechny druhy filtrů
- Všechny druhy hadiček
- Všechny druhy baterií, včetně olověných/lithiových, knoflíkových (do hodinek) a gelových (6 měsíců)





Síto je porézní filtrační materiál a je považováno za položku podléhající opotřebení. Mezi faktory, které mohou ovlivnit životnost síta, patří vlhkost, teplota, částice, nečistoty ve vzduchu, nasávaný vzduch, vibrace a další podmínky okolního prostředí.

8 Řešení problémů

8.1 Řešení problémů

PŘÍZNAK	PRAVDĚPODOBNÁ PŘÍČINA	ŘEŠENÍ
Alarm:	Výpadek napájení ze sítě:	
Krátká pípnutí, dlouhá pauza Koncentrátor není v provozu, vypínač proudu je v pozici On (zapnuto). Píp.....Píp.....	<ol style="list-style-type: none"> 1. Napájecí kabel NENÍ zapojen. 2. Na elektrické zásuvce není napětí. 3. Vypnutá pojistka. 	<ol style="list-style-type: none"> 1. Zapojte zástrčku do elektrické zásuvky. 2. Prohlédněte si domácí jističe nebo pojistky. Pokud se problém opakuje, použijte jinou zásuvku. 3. Reset de stroomonderbreker door erop te duwen. Bel uw leverancier als het probleem opnieuw optreedt.
Alarm:	Porucha systému:	
Nepřerušovaný Koncentrátor není v provozu, vypínač proudu je v pozici On (zapnuto). Píp...	<ol style="list-style-type: none"> 1. Přehřívání přístroje vzhledem k zablokovanému přívodu vzduchu. 2. Na výstupu není dostatečné napájení. 3. Jsou potřebné interní opravy 	<ol style="list-style-type: none"> 1. <ol style="list-style-type: none"> a. Vyjměte a vyčistěte skříňové filtry. b. Postavte přístroj do vzdálenosti nejméně 7,5 cm od stěn, závěsů či nábytku. 2. NEPOUŽÍVEJTE prodlužovací šňůru. Přesuňte přístroj k jiné elektrické zásuvce či okruhu. 3. Zavolejte servisního pracovníka.

PŘÍZNAK	PRAVDĚPODOBNÁ PŘÍČINA	ŘEŠENÍ
<p>Alarm:</p> <p>Svítí ŽLUTÁ nebo ČERVENÁ kontrolka</p> <p>Alarm: nepřetržitě svítící ČERVENÁ kontrolka</p> <p> * Platí pouze pro SensO₂ modely.</p>	<p>Porucha systému:</p> <ol style="list-style-type: none"> 1. Nízká čistota kyslíku.* 2. Zkroucená nebo zablokovaná hadice, kanyla nebo zvlhčovač.* 3. Měřič průtoku nastaven na 0,5 l/min nebo méně.* 4. Přehřívání přístroje vzhledem k zablokovanému přívodu vzduchu. 5. Na výstupu není dostatečné napájení. 6. Jsou potřebné interní opravy. 	<ol style="list-style-type: none"> 1. Vyčistěte nebo vyměňte filtry. 2. Prohlédněte, zda není přítomno překroucení nebo blokáda. Opravte, vyčistěte nebo vyměňte přístroj. Po dokončení opravy vypněte na 60 sekund napájení (poloha OFF) a pak jej opět zapněte (poloha ON). 3. Zkontrolujte, zda je průtokoměr nastaven na hodnotu 1,0 l/min nebo více. Viz část Obvyklé parametry výrobku. 4. <ol style="list-style-type: none"> a. Vyjměte a vyčistěte skříňové filtry. b. Postavte koncentrátor do vzdálenosti nejméně 30,5 cm od stěn, závěsů či nábytku. 5. NEPOUŽÍVEJTE prodlužovací šňůru. Přesuňte přístroj k jiné elektrické zásuvce či okruhu. 6. Zavolejte servisního pracovníka.
<p>Zavolejte servisního pracovníka</p>	<ol style="list-style-type: none"> 1. Jsou potřebné interní opravy. 	<ol style="list-style-type: none"> 1. Zavolejte servisního pracovníka.
<p>Alarm:</p> <p>RYCHLÝ Píp....Píp... Píp....Píp</p>	<p>Výstraha upozorňující na možnou překážku:</p> <ol style="list-style-type: none"> 1. Možná vnitřní překážka v dráze průchodu kyslíku. Zkroucená nebo zablokovaná hadice, kanyla nebo zvlhčovač. 2. Měřič průtoku nastaven na 0,5 l/min nebo méně. 	<ol style="list-style-type: none"> 1. Prohlédněte, zda není přítomno překroucení nebo blokáda. Opravte, vyčistěte nebo vyměňte přístroj. Po dokončení opravy vypněte na 60 sekund napájení (poloha OFF) a pak jej opět zapněte (poloha ON). 2. Použití rychlostí průtoku nižších než 1 l/min se nedoporučuje. <p> Použitím pediatrického průtokoměru se výstraha upozorňující na možnou překážku deaktivuje.</p>

9 Technické údaje

9.1 Typické parametry přístroje

Požadavky na napájení elektřinou:	230 VAC + 10, -15% (253 VAC/195.5 VAC), 50 Hz
Jmenovitý proud na vstupu:	1,4 A (IRC5LXO2AWQ)
	2,0 A (IRC5LXAW, IRC5LXO2AW)
	2,3 A (IRC9LXO2AWQ)
Úroveň hlasitosti:	39,5 dB v průměru
	44 dB v průměru (IRC5LXAW, IRC5LXO2AW)
	50 dB v průměru (IRC9LXO2AWQ)
Výška:	Do 1828 metrů n.m. bez snížení koncentračních hladin. POUŽITÍ V NADMOŘSKÉ VÝŠCE NAD 1828 metrů SE NEDOPORUČUJE. Rozsah atmosférického tlaku: 101,33 kPa – 81,22 kPa
	IRC9LXO2AWQ - Až 1 230 m (4 000 stop) nad hladinou moře bez poklesu úrovně koncentrace. Rozsah atmosférického tlaku: 101,33 kPa – 88,0 kPa
*Vstup pro kyslík Koncentrační hladiny: All 5LXO2AWQ/5LXAW / 5LXO2AW/9LXO2AWQ modely	IRC5LXAW, IRC5LXO2AW, IRC5LXO2AWQ minimálně 93 % při 1 až 3 l/min minimálně 91 % při 4 l/min minimálně 87 % při 5 l/min (maximální doporučený průtok)

<p>i *Úrovně koncentrace dosažené po počáteční fázi zahřívání (přibližně 30 minut)</p>	<p>IRC9LXO2AWQ minimálně 92 % při 1 až 2 l/min minimálně 91 % při 8 l/min minimálně 87 % při 9 l/min minimálně 93 % při 3 až 7 l/min</p>
<p>Maximální tlak na výstupu:</p>	<p>IRC5LXAW, IRC5LXO2AW, IRC5LXO2AWQ 34,5 ± 3,45 kPa (5 ± 0,5 psi)</p>
<p>Rozsah průtoku:</p>	<p>IRC9LXO2AWQ 62,0 kPa ± 3,45 kPa (9 ± 0,5 psi)</p>
<p>Výstraha upozorňující na možnou překážku:</p>	<p>IRC5LXAW, IRC5LXO2AW, IRC5LXO2AWQ 0,5 až 5 l/min Použití rychlostí průtoku nižších než 1 l/min se nedoporučuje</p> <p>IRC9LXO2AWQ 1 l/min až 9 l/min. Nejsou doporučovány průtokové rychlosti nižší než 1 l/min</p>
<p>Výstraha upozorňující na možnou překážku:</p>	<p>Koncentrátor zjišťuje stav, který může poukazovat na možnou překážku bránící dodávce kyslíku. Tento stav je signalizován zvukovou výstrahou ve formě rychle se opakujícího sledu pípnutí (při připojování příslušenství je tato výstražná signalizace deaktivována). Tato signalizace může souviset také s nastavením průtočného množství činícího 0,5 l/min nebo méně.</p>
<p>Průměrná spotřeba proudu:</p>	<p>IRC5LXO2AWQ 300 W 280 W @ 3 l/min</p> <p>IRC5LXO2AW 365 W 340 W @ 3 l/min</p>

	IRC5LXAW 380 W
	IRC9LXO2AWQ 475 W
Mechanismy zmírnění tlaku v provozu při:	241 kPa ± 24,1 kPa (35 psi ± 3,5 psi)
Změna maximálního doporučeného průtoku při zpětném tlaku 7k Pa:	0,7 l/min
Filtry:	Skříň (2), výstup HEPA a kompresorový vstup.
Bezpečnostní systém:	Vypnutí při proudovém přetížení nebo elektrickém rázu v síti. Vypnutí kompresoru při vysoké teplotě. Alarm při vysokém tlaku / vypnutí kompresoru. Alarm při nízkém tlaku / vypnutí kompresoru. Alarm při výpadku napájení z baterie. Výstraha upozorňující na možnou překážku v kyslíkovém systému SensO ₂ .
Šířka:	46,7 cm ± 1 cm
Výška:	67,0 cm ± 1 cm
Hloubka:	36,5 cm ± 1 cm
Hmotnost:	IRC5LXAW, IRC5LXO2AW, IRC5LXO2AWQ 23,6 kg ± 1 kg (52 lbs ± 2 lbs)
	IRC9LXO2AWQ 24,0 kg ± 1 kg (53 lbs ± 2 lbs)

Hmotnost při dodání:	IRC5LXAW, IRC5LXO2AW, IRC5LXO2AWQ 26,8 kg ± 1 kg (59 lbs ± 2 lbs)
	IRC9LXO2AWQ 27,2 kg ± 1 kg (60 lbs ± 2 lbs)
Provozní prostředí teplota:	10 °C - 35 °C při 20-60 % relativní vlhkosti.
Skříň:	Nárazuvzdorný plast, zpomalující hoření skříň vyhovuje normě UL 94-V0.
Normy a nařízení:	IRC5LXAW/IRC5LXO2AW/ IRC5LXO2AWQ/IRC9LXO2AWQ ETL je v souladu s proveným: EN55011 EN61000-3-2 EN61000-3-3 IEC 60601-1, A1, A2 IEC 60601-1-2 IRC5LXO2AW, IRC5LXO2AWQ, IRC9LXO2AWQ jediný model ISO8359 MDD
Modely označené CE:	IRC5LXO2AW, IRC5LXO2AWQ, IRC9LXO2AWQ
Napájení elektřinou:	Bez prodlužovací šňůry.
Umístění:	Ne blíže než 30,5 cm (12 palců) od stěn, nábytku, závěsů a podobných povrchů, aby byl zajištěn dostatečný průtok vzduchu. Vyhněte se kobercům s dlouhým vlasem, ohřívacím, radiátorům nebo horkovzdušným zařízením. Pokládejte pouze na zem. Vyhněte se uzavřeným prostorám (např. skříním).

Hadice:	IRC5LXAW, IRC5LXO2AW, IRC5LXO2AWQ kanyla o délce 2,1 m s maximální délkou 15,2 m hadice Crush-Proof (NEPŘISKŘÍPNOUT).
	IRC9LXO2AWQ Pro všechny prtokové rychlosti se doporučuje používat až 15,2 m (50 stop) dlouhou vysokoprtokovou trubici s vysokoprtokovou kanylou.
Relativní vlhkost:	20 až 60 %
Doba provozu:	Doba provozu: Až 24 hodin denně
Doporučená teplota při skladování a dodávání:	-29 °C až 65 °C při 15-95 % relativní vlhkosti

Sommaire

Ce manuel DOIT être remis à l'utilisateur du produit. Lire ce manuel AVANT d'utiliser ce produit, et le conserver en cas de besoin.

I Généralités	70
1.1 Pictogrammes	70
1.2 Utilisation prévue	72
1.3 Description	72
1.4 Contre-indications	73
1.5 Accessoires en option	73
2 Sécurité	74
2.1 Emplacements des étiquettes	74
2.2 Consignes générales	76
2.3 Interférences radio-électriques	79
3 Composants et fonction	80
3.1 Identification des composants	80
4 Réglages (Mise en service)	82
4.1 Déballage	82
4.2 Contrôle	82
4.3 Rangement	82
5 Utilisation	83
5.1 Introduction	83
5.2 Choisir Un Endroit	83
5.3 Configuration du concentrateur	85
5.3.1 Configuration de l'humidificateur	85
5.3.2 Mise en marche du concentrateur	87
5.3.3 Débit	87
5.3.4 Indicateur de pureté de l'oxygène SensO ₂	88
5.3.5 Unités sans SensO ₂	89
5.4 Alarme de perte d'alimentation	89
6 Maintenance	90
6.1 Nettoyage du Coffret	90
6.2 Nettoyage des filtres	91
6.3 Nettoyage et désinfection thermique de l'humidificateur	92
6.4 Nettoyage et désinfection entre les patients	92
6.5 Liste de vérification pour l'entretien préventif	93
7 Après l'utilisation	95
7.1 Informations relatives au recyclage	95
7.2 Usure normale	95
8 Résolution de problèmes	96
8.1 Résolution de problèmes	96
9 Caractéristiques techniques	98
9.1 Paramètres Types Du Produit	98

I Généralités

I.1 Pictogrammes

Les symboles d'avertissement utilisés dans le présent manuel s'appliquent aux risques ou aux pratiques dangereuses qui pourraient provoquer des blessures ou des dommages matériels. Reportez-vous au tableau suivant pour connaître la définition des mentions d'avertissement.



DANGER !

– Danger indique une situation dangereuse imminente qui, si elle n'est pas évitée, provoquera des blessures graves ou la mort.



AVERTISSEMENT !

– Avertissement indique une situation potentiellement dangereuse qui, si elle n'est pas évitée, est susceptible de provoquer des blessures graves ou la mort.



ATTENTION !

– Attention indique une situation potentiellement dangereuse qui, si elle n'est pas évitée, peut résulter dans des dommages matériels et/ou des blessures légères.



Donne des conseils, recommandations et informations utiles pour une utilisation efficace et sans souci.

Symbols in Documentation



Lire le manuel



Interdiction De Fumer



Flamme nue interdite



Classe II, double isolation



Courant alternatif



Équipement de type BF



Recyclez



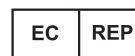
NE PAS jeter avec les déchets ménagers



Danger électrique



Conserver au sec



Représentant CE



Fabricant



Appeler le prestataire



**Ce produit est conforme à la Directive 93/42/CEE sur les dispositifs médicaux.

La date de lancement de ce produit est indiquée dans la déclaration de conformité CE.

Pour en savoir plus sur le marquage CE, consultez les paramètres types du produit.

Symboles apposés sur le produit



En marche



À l'arrêt

Indicateurs O₂

SYMBOLE	PURETÉ O ₂	VOYANTS LUMINEUX (DEL)
O ₂	SYSTÈME CORRECT O ₂ au-dessus de 85 %	Voyant lumineux VERT

	O ₂ entre 73 % et 85 %	Voyant lumineux JAUNE A. Jaune fixe B. Jaune clignotant Échec du capteur. Appeler un technicien qualifié
	ÉCHEC SYSTÈME O ₂ au-dessous de 73 %	Voyant lumineux ROUGE Se reporter à la section dépannage

Indicateurs LX

SYMBOLE	PURETÉ O ₂	VOYANTS LUMINEUX (DEL)
I/O	SYSTÈME CORRECT	Voyant lumineux VERT
	ÉCHEC SYSTÈME	Voyant lumineux ROUGE Alarme sonore continue Arrêt du compresseur Sieve-GARD™ Appeler un technicien qualifié

1.2 Utilisation prévue

Votre concentrateur d'oxygène est prévu pour un usage individuel par les patients souffrant de troubles respiratoires et qui nécessitent un apport en oxygène. Le dispositif n'est pas prévu pour maintenir en vie ou pour prolonger la vie. Le concentrateur est conçu pour une utilisation à domicile ou dans un établissement de soins.



DANGER !

Risque De Blessure Ou De Décès

Ce produit doit être utilisé pour assurer un complément d'oxygène et non pour servir d'appareil de réanimation et de maintien des fonctions vitales. N'utilisez ce produit QUE si le patient est capable de respirer spontanément, d'inspirer et d'expirer sans l'utilisation d'une machine.

- N'utilisez PAS le concentrateur en parallèle ou en série avec d'autres concentrateurs d'oxygène ou appareils d'oxygénothérapie.



DANGER !

Risque De Blessure Ou De Décès

En fonction de leur état de santé, les patients sous oxygène à un débit supérieur à 5 l/m courent un risque accru de blessure grave voire mortelle en cas de panne.

- TOUJOURS discuter de ce risque accru avec le professionnel de santé AVANT d'utiliser ce produit si le débit prescrit est supérieur à 5 l/m.



DANGER !

Risque De Blessure Ou De Décès

Invacare s'efforce de fabriquer et de fournir un concentrateur d'oxygène de qualité. Néanmoins, la production d'oxygène peut être interrompue en raison d'une coupure de courant ou d'un dysfonctionnement du dispositif.

- TOUJOURS garder à portée de main une source d'oxygène de secours.
- Si le concentrateur ne parvient pas à produire de l'oxygène, une alarme retentit pour inviter le patient à passer à la source de secours d'oxygène. Pour en savoir plus, se reporter à la section « Dépannage »



AVERTISSEMENT !

Risque De Blessures Ou De Dommages Matériels

L'utilisation de ce produit en dehors de celle prévue et des paramètres du produit n'a pas été testée et peut entraîner des dommages, une panne ou des blessures.

- N'utilisez ce produit QUE dans le cadre décrit dans les sections de l'utilisation prévue et des paramètres du produit du présent manuel.

1.3 Description

Le concentrateur Invacare Platinum est destiné à des patients qui souffrent de troubles respiratoires et ont besoin d'un appoint en oxygène. Le dispositif n'a pas vocation à maintenir artificiellement en vie.

Le taux de concentration d'oxygène varie de 87 à 95,6 %. L'apport en oxygène au patient se fait à l'aide d'une canule nasale.

Le concentrateur Invacare Platinum applique un procédé de tamis moléculaire et d'adsorption modulée en pression pour produire

l'oxygène en sortie. L'air ambiant pénètre dans le dispositif, il est filtré et comprimé, puis envoyé vers un des tamis moléculaires d'adsorption d'azote.

L'oxygène concentré sort par l'extrémité opposée du tamis moléculaire actif et il est dirigé vers un réservoir d'oxygène en vue d'être administré au patient.

Le concentrateur Invacare Platinum peut être utilisé par le patient à son domicile ou dans un établissement de soins. Le dispositif fonctionne avec une tension nominale de 230 V c.a./50 Hertz.

Les informations relatives à l'entretien sont disponibles sur demande auprès du personnel technique qualifié uniquement.

1.4 Contre-indications

Invacare n'a pas connaissance de contre-indications concernant la gamme de concentrateurs Invacare Platinum.

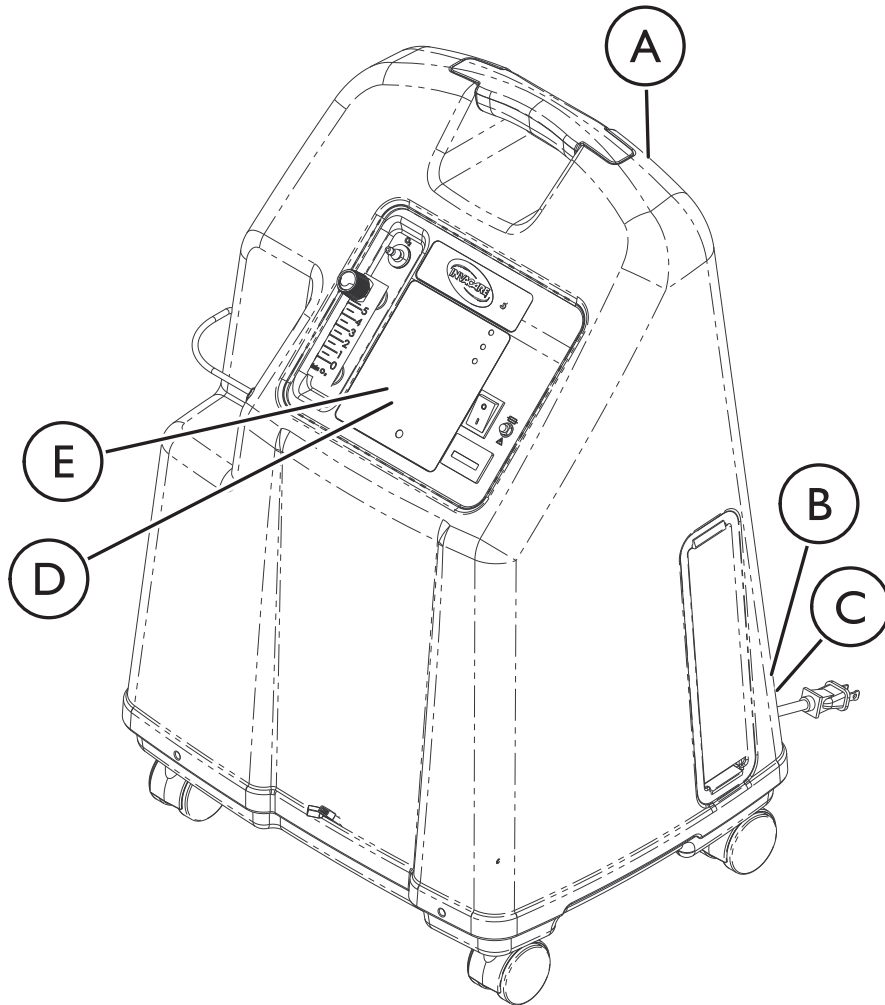
1.5 Accessoires en option

Différents humidificateurs, de tubes à oxygène, décanales et démasques peuvent être utilisés avec ce dispositif. Pour déterminer le modèle le plus adapté à chacun, contacter un professionnel de santé spécialisé dans les soins à domicile. Il peut également apporter ses conseils pour l'utilisation, l'entretien et le nettoyage du dispositif.

Les accessoires (canule nasale, masque, tubes, humidificateur, etc.) servant à administrer l'oxygène au patient doivent inclure un système pour limiter tout risque de propagation du feu pour la sécurité du patient et d'autrui. Si un dispositif d'arrêt du débit activé en cas d'incendie, vendu séparément, figure dans la configuration des accessoires, il doit être placé aussi près que possible du patient.

2 Sécurité

2.1 Emplacements des étiquettes



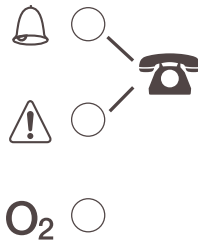
Ⓐ	L'étiquette du numéro de série se trouve sur le montage d'entrée du résonateur.
Ⓑ	La plaque d'identification se trouve à l'arrière du concentrateur au niveau de sa base.
Ⓒ	L'étiquette de double isolation se trouve à l'arrière du concentrateur au niveau de sa base.

IRC5LX02AW, IRC5LX02AWQ, IRC9LX02AWQ

HomeFill® II Compatible
avec SensO₂®



CONSULTER LE MANUEL
D'UTILISATION OU CONTACTER
LE FOURNISSEUR
D'ÉQUIPEMENTS DE SOINS À
DOMICILE POUR OBTENIR DES
INSTRUCTIONS D'UTILISATION
SÛRES, DES INFORMATIONS SUR
LES ALARMES, LES ALERTES
SONORES ET L'EMPLOI DES
ACCESSOIRES.



O₂ ○

⚠ DANGER RISQUE D'INCENDIE - INTERDICTION
DE FUMER, FLAMME NUE OU
SOURCES D'INFLAMMATION
PROHIBÉES

Conserver TOUTE source d'inflammation en dehors de la pièce dans laquelle le dispositif est installé et à distance des zones d'administration de l'oxygène. Les textiles, huiles et autres combustibles s'enflamment facilement et brûlent rapidement au contact d'air enrichi en oxygène.

⚠ DANGER RISQUE DE CHOC ÉLECTRIQUE 
NE PAS retirer le couvercle. Confier la maintenance à du personnel d'entretien qualifié.

IRC5LXAW

HomeFill® II Compatible



CONSULTER LE MANUEL
D'UTILISATION OU CONTACTER
LE FOURNISSEUR
D'ÉQUIPEMENTS DE SOINS À
DOMICILE POUR OBTENIR DES
INSTRUCTIONS D'UTILISATION
SÛRES, DES INFORMATIONS SUR
LES ALARMES, LES ALERTES
SONORES ET L'EMPLOI DES
ACCESSOIRES.



I/O ○

⚠ DANGER RISQUE D'INCENDIE - INTERDICTION
DE FUMER, FLAMME NUE OU
SOURCES D'INFLAMMATION
PROHIBÉES

Conserver TOUTE source d'inflammation en dehors de la pièce dans laquelle le dispositif est installé et à distance des zones d'administration de l'oxygène. Les textiles, huiles et autres combustibles s'enflamment facilement et brûlent rapidement au contact d'air enrichi en oxygène.

⚠ DANGER RISQUE DE CHOC ÉLECTRIQUE 
NE PAS retirer le couvercle. Confier la maintenance à du personnel d'entretien qualifié.

D

E

2.2 Consignes générales

Pour garantir la sécurité de l'installation, du montage et du fonctionnement du concentrateur, vous DEVEZ respecter ces consignes.



DANGER !

Risque de dommage matériel ou de blessure grave, voire mortelle

Une utilisation inadéquate de ce produit présente un risque de blessures, de décès ou de dégâts matériels. Cette section contient des informations importantes pour une utilisation et un fonctionnement en toute sécurité du produit.

- N'utilisez PAS ce produit ou tout autre équipement disponible en option sans avoir lu et compris entièrement ces instructions et toute autre documentation supplémentaire, telle que les manuels d'utilisation, les manuels d'entretien ou fiches d'instructions fournis avec ce produit ou l'équipement en option.
- Si vous ne comprenez pas les avertissements, mises en garde ou instructions, contactez un professionnel de santé, revendeur ou technicien avant d'essayer d'utiliser cet équipement.
- Vérifiez l'absence de dommages dans le carton et sur TOUS les composants. En cas de dommage ou si le produit ne fonctionne pas correctement, contactez un technicien ou Invacare pour réparation.
- LES INFORMATIONS CONTENUES DANS LE PRÉSENT DOCUMENT SONT SUJETTES À MODIFICATION SANS PRÉAVIS.



DANGER !

Risque de décès , de blessures ou dommages dus aux incendies

Risque de décès, de blessures ou de dommages liés à un incendie Les textiles, huiles ou substances à base de pétrole, graisse, substances grasses et autres combustibles s'enflamment facilement et brûlent rapidement dans un air enrichi en oxygène et au contact avec de l'oxygène sous pression. Pour éviter tout incendie, dommage, blessure ou décès:

- NE PAS FUMER lors de l'utilisation de cet appareil.
- NE PAS utiliser à proximité d'une FLAMME NUE ou SOURCES D'INFLAMMATION.
- NE PAS utiliser de lubrifiants sur le concentrateur sauf spécification contraire de Invacare.
- Des panneaux INTERDICTION DE FUMER doivent être affichés de façon visible.
- Évitez de produire des étincelles à proximité d'un équipement d'oxygène. Cela inclut les étincelles d'électricité statique créées par friction.
- Conserver les allumettes, cigarettes incandescentes ou toute autre source inflammable en dehors de la pièce dans laquelle le concentrateur est installé et à distance de la source d'administration de l'oxygène.
- Éloignez les tubes à oxygène, le cordon et l'appareil de sous les couvertures, les dessus de lit, les coussins, les vêtements et écartés des surfaces chauffées ou chaudes, comprenant les radiateurs, les fours et appareils électriques similaires.

**ATTENTION !**

La loi fédérale (statutaire) n'autorise la vente de cet appareil que sur ordonnance ou par un praticien agréé par la loi de l'État dans lequel il ou elle travaille.

- SEUL un professionnel de santé habilité peut autoriser l'achat ou l'utilisation de ce dispositif.

**DANGER !****Risque de blessure, décès par décharge électrique**

Pour réduire les risques de brûlures, d'électrocution, de décès ou de blessures :

- NE démontez PAS l'appareil. Confier la maintenance à du personnel d'entretien qualifié. Les composants internes ne peuvent pas être réparés par l'utilisateur.
- Ne jamais utiliser l'appareil en prenant un bain. Si la prescription médicale requiert une utilisation continue, le concentrateur doit être placé dans une autre pièce éloignée d'au moins 2,5 m (7 pi) de la salle de bains.
- NE touchez PAS le concentrateur si vous êtes mouillé(e).
- Veillez à NE PAS positionner ni stocker le concentrateur dans un endroit où il pourrait tomber dans l'eau ou dans d'autres liquides.
- NE PAS ramasser un concentrateur qui est tombé dans l'eau. Débranchez-le IMMÉDIATEMENT.
- NE PAS utiliser les cordons d'adaptateur CA effilochés ou endommagés.

**AVERTISSEMENT !****Risque de blessures ou de dommages matériels**

- Les produits Invacare sont spécialement conçus et fabriqués pour être utilisés en combinaison avec les accessoires Invacare. Les accessoires conçus par d'autres fabricants n'ont pas été testés par Invacare et leur utilisation avec les produits Invacare est déconseillée.
- Différents d'humidificateurs, de tubes à oxygène, décanales et démasques peuvent être utilisés avec ce dispositif. Pour déterminer le modèle le plus adapté à chacun, contacter un professionnel de santé spécialisé dans les soins à domicile. Il peut également apporter ses conseils pour l'utilisation, l'entretien et le nettoyage du dispositif.

**DANGER !****Risque de blessure ou de décès**

Pour éviter les risques d'étouffement ou d'ingestion de produits chimiques provenant d'une contamination de l'air :

- NE PAS utiliser le concentrateur en présence de polluants, fumées, anesthésiques inflammables, agents de nettoyage ou vapeurs chimiques.



AVERTISSEMENT !

Risque de blessure ou de décès

Pour éviter tout risque de blessure ou de décès résultant d'une mauvaise utilisation du produit :

- Une étroite surveillance est nécessaire lors de l'utilisation de ce concentrateur par ou à proximité d'enfants ou de personnes à mobilité réduite.
- Les patients utilisant cet appareil doivent être plus particulièrement surveillés s'ils sont incapables d'entendre ou de voir les alarmes ou de communiquer leur inconfort.



AVERTISSEMENT !

Risque de blessure grave voire mortelle

Pour éviter tout risque d'étouffement et/ou de strangulation en cas d'enchevêtrement des tubes:

- Tenez les enfants et les animaux domestiques hors de portée de la canule nasale et des tubes.
- Une surveillance étroite s'impose lorsque la canule nasale est utilisée par ou à proximité d'enfants et/ou de personnes handicapées.



AVERTISSEMENT !

Risque de blessure ou de décès

Pour réduire les risques de blessures ou de décès liés à une maladie :

- Changez régulièrement la canule nasale. Consultez votre fournisseur de matériel ou médecin pour déterminer combien de fois la canule doit être changée.
- NE partagez PAS les canules entre les patients.



AVERTISSEMENT !

Risque de blessure

Un changement d'altitude peut affecter l'oxygène total étant disponible pour vous. Pour éviter la privation d'oxygène :

- Consultez votre médecin avant le déplacement à des altitudes plus basse ou plus élevées ou pour déterminer si vos paramètres de débit doivent être modifiés.



AVERTISSEMENT !

Risque de blessures ou de dommages matériels

Pour éviter tout risque de blessure ou de dommage résultant d'une mauvaise utilisation du cordon :

- NE PAS déplacer ni repositionner le concentrateur en tirant sur le cordon.
- NE PAS utiliser des rallonges avec les adaptateurs CA fournis.
- Placez et entreposez correctement les cordons électrique/tube pour éviter un risque de chute.



AVERTISSEMENT !

Risque de blessures ou de dommages matériels

Pour éviter tout risque de blessure ou de dommage résultant d'une mauvaise utilisation :

- Le concentrateur ne doit JAMAIS rester sans surveillance lorsqu'il est branché.
- Assurez-vous que le concentrateur est éteint lorsque vous ne l'utilisez pas.
- L'utilisation du concentrateur en extérieur DOIT se faire uniquement avec une alimentation batterie interne ou supplémentaire.

**AVERTISSEMENT !****Risque de blessures ou de dommages matériels**

Les concentrateurs d'oxygène Invacare sont spécialement conçus pour réduire au minimum la maintenance préventive. Pour éviter tout risque de blessure ou de dommage matériel :

- Seuls les professionnels du secteur de la santé ou les personnes qui maîtrisent parfaitement le processus, telles que le personnel formé à l'usine ou le personnel agréé, sont habilités à effectuer la maintenance préventive ou des réglages de performance sur le concentrateur d'oxygène, à l'exception des tâches décrites dans ce manuel.
- Les utilisateurs doivent contacter le revendeur ou le représentant Invacare pour toute réparation.

**ATTENTION !****Risque de dommage matériel**

Pour éviter tout risque de dommage lié à l'infiltration de liquide :

- Si le concentrateur ne fonctionne pas correctement, s'il est tombé, endommagé ou s'il est tombé dans l'eau, demandez au fournisseur d'équipements/à un technicien qualifié de l'inspecter et de le réparer.
- Veillez à ne JAMAIS laisser tomber ou introduire un objet ou des liquides dans les ouvertures.
- Invacare recommande de ne pas utiliser le concentrateur sous la pluie.

2.3 Interférences radio-électriques**AVERTISSEMENT !****Risque de blessure ou de dommage matériel**

Pour réduire le risque de blessure ou dommage matériel lié à des interférences avec des équipements sans fil:

- Éloignez le concentrateur à une distance minimale de 3 m (9,8 pieds) des équipements de communication sans fil tels que appareils de réseau domestique sans fil, téléphones portables, téléphones sans fil et stations de recharge, talkie-walkies, etc.

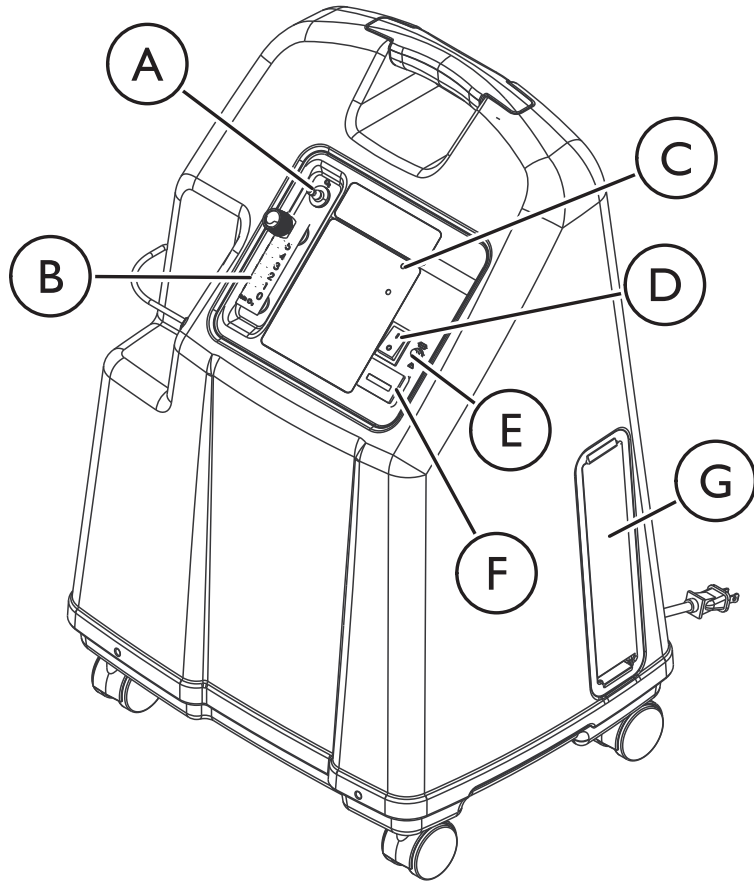
L'équipement a été testé et est certifié conforme aux limites CEM spécifiées dans la norme IEC/EN 60601-1-2. Ces limites sont conçues pour assurer une protection raisonnable contre les interférences électromagnétiques dans une configuration médicale type.

D'autres appareils peuvent recevoir des interférences même provenant des plus bas niveaux d'émissions électromagnétiques autorisées par les normes ci-dessus. Pour déterminer si les émissions du concentrateur sont à l'origine d'une interférence, mettez le hors tension. Si l'interférence avec le ou les autres dispositifs s'arrête, cela signifie que le concentrateur provoque l'interférence. Dans ces cas rares, l'interférence peut être réduite ou corrigée de l'une des façons suivantes:

- Repositionnez le dispositif, changez-le de place ou augmentez la distance de séparation entre les dispositifs.
- Branchez l'appareil dans une prise différente de celle sur laquelle le ou les autres appareils sont branchés.

3 Composants et fonction

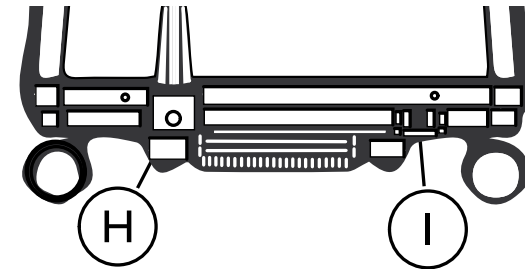
3.1 Identification des composants



Ⓐ	Sortie oxygène
Ⓑ	Débitmètre

Ⓒ	Voyants indicateurs de la pureté de l'oxygène / Voyant indicateur de défauts et de mise sous tension
Ⓓ	Interrupteur
Ⓔ	Disjoncteur
Ⓕ	Compteur horaire
Ⓖ	Filtres

Vue arrière



Ⓕ	Cordon
Ⓖ	Raccord de sortie HomeFill

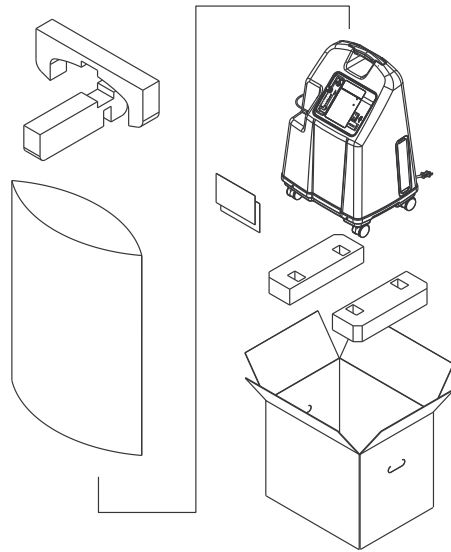


ACCESSOIRES (NON REPRÉSENTÉS) : Compresseur d'oxygène HomeFill - IOH200AW


Le raccord de sortie HomeFill ① ne doit être utilisé que pour remplir les bouteilles à oxygène avec le compresseur d'oxygène à usage domestique HomeFill. Le raccord de sortie n'a aucune incidence sur les performances du concentrateur. Pour obtenir les instructions de raccordement et d'utilisation, se reporter au manuel d'utilisation HomeFill. Lorsqu'elle n'est pas utilisée, la fiche fournie avec le concentrateur doit être insérée dans le raccord de sortie. Pour en savoir plus sur HomeFill, contacter un distributeur Invacare.

4 Réglages (Mise en service)

4.1 Déballage



1. Vérifiez pour tout dommage évident du carton ou de son contenu. Si les dommages sont évidents, aviser le transporteur, ou votre revendeur local.
2. Retirer toutes les garnitures des cartons.
3. Retirer soigneusement tous les éléments du carton.

 Sauf en cas d'utilisation IMMÉDIATE requise, le concentrateur d'oxygène doit rester dans son emballage.

4.2 Contrôle

1. Inspecter/examiner l'extérieur du concentrateur pour déceler d'éventuelles bosses, fissures, rayures ou autres dommages.
2. Contrôler tous les éléments.

4.3 Rangement

1. Ranger le concentrateur d'oxygène remballé dans un endroit sec. Pour en savoir plus sur la température de stockage, consulter les paramètres types du produit.
2. **NE PAS** placer d'autres objets au-dessus du concentrateur d'oxygène remis dans son emballage.

5 Utilisation

5.1 Introduction

Le concentrateur d'oxygène est destiné à une utilisation individuelle à l'intérieur. C'est un appareil qui sépare de façon électronique l'oxygène de l'air de la pièce. Il délivre une forte concentration d'oxygène par une canule nasale. Des études cliniques ont montré que les concentrateurs d'oxygène sont équivalents en matière de thérapie à d'autres types de système de délivrance d'oxygène.

Le prestataire démontrera comment utiliser le concentrateur d'oxygène. Il doit être consulté pour toutes questions ou problèmes posés par le concentrateur d'oxygène. Ce manuel d'utilisation explique le fonctionnement du concentrateur d'oxygène et servira de référence lors de l'utilisation de ce matériel.

5.2 Choisir Un Endroit



AVERTISSEMENT !

Risque de blessures ou de dommages matériels

Pour éviter les blessures ou les dommages matériels provenant des polluants atmosphériques et/ou des fumées et maintenir les performances optimales :

- Placez et positionnez le concentrateur d'oxygène portable dans un endroit bien aéré de sorte que l'entrée et les sorties d'air ne soient pas obstruées.
- Veillez à ne JAMAIS bloquer les bouches d'air du concentrateur ni à le placer sur une surface moelleuse comme un lit ou un canapé au risque d'obstruer les bouches d'air.
- Veillez à ne pas obstruer les bouches d'air avec du tissu, des cheveux, etc.
- Éloigner le concentrateur des murs, rideaux ou meubles à une distance minimale de 30,5 cm (12 po).
- Évitez l'utilisation de polluants, fumées, anesthésiques inflammables, agents de nettoyage ou vapeurs chimiques.
- Placez le concentrateur dans une zone bien aérée pour éviter les polluants atmosphériques et/ou les fumées.
- NE l'utilisez PAS dans un placard.



AVERTISSEMENT !

Risque de blessure

Pour éviter toute blessure pendant le traitement:

- Le concentrateur d'oxygène DOIT être placé sur une surface plane lors de son utilisation.
- NE déplacez PAS le concentrateur d'oxygène pendant son utilisation.

Choisir une pièce dans la maison où l'utilisation du concentrateur d'oxygène sera la plus pratique. Le concentrateur doit pouvoir être facilement déplacé de pièce en pièce sur ses roulettes.

Le concentrateur d'oxygène fonctionne de façon optimale dans les conditions présentées dans le tableau ci-dessous.

Une utilisation dans un environnement autre que celui décrit pourrait nécessiter une maintenance supplémentaire. L'admission d'air de l'appareil doit être située dans un endroit bien ventilé pour éviter les polluants atmosphériques et / ou les fumées.

Recommandations pour garantir des performances optimales

Température:	10 à 35 °C
Électricité:	Pas de rallonge.
Positionnement:	À au moins 30,5 cm (12 in) des murs, mobiliers, rideaux ou surfaces similaires.
Lunette à oxygène:	IRC5LXAW, IRC5LXO2AW, IRC5LXO2AWQ Canule de 2,1 mètres indéformable de 15,2 mètres max. (NE PAS PINCER).
	IRC9LXO2AWQ il est recommandé d'utiliser un tube à haut débit (longueur maximale de 15 m) avec canule à haut débit et ce, quel que soit le débit.

Environnement:	Sans fumée ni suie. Pas d'espaces confinés (exemple : pas de placards).
Humidité relative:	20 à 60 %
Durée de fonctionnement:	Jusqu'à 24 heures par jour
Débit	IRC5LXAW, IRC5LXO2AW, IRC5LXO2AWQ 0,5 à 5 L/mn. Des débits inférieurs à 1 L/mn ne sont pas recommandés
	IRC9LXO2AWQ De 1 à 9 l/min, il est déconseillé d'utiliser un débit inférieur à 1 l/min.
Durée de fonctionnement minimum:	30 minutes



S'assurer que le concentrateur est placé à au moins 30,5 cm (12 in) des murs, rideaux ou meubles pour assurer un passage d'air suffisant. Éviter les moquettes épaisses et les appareils de chauffage, radiateurs ou registres d'air chaud.

5.3 Configuration du concentrateur

1. Brancher le cordon dans une prise électrique.
2. Raccorder l'humidificateur (Si cela a été recommandé).

5.3.1 Configuration de l'humidificateur



AVERTISSEMENT !

Risque de blessures ou de dommages matériels

Pour éviter toute brûlure par vapeur ou eau chaude, toute inhalation d'eau et/ou tout dommage au concentrateur causé par l'eau:

- NE PAS remplir le flacon de l'humidificateur avec de l'eau chaude. Laisser l'eau portée à ébullition refroidir à température ambiante avant de procéder au remplissage.
- NE PAS TROP remplir l'humidificateur.
- Remettre en place le bouchon de l'humidificateur et le serrer fermement. Vérifier que le filetage du bouchon n'est pas faussé sur le flacon de l'humidificateur.
- NE PAS inverser les raccords d'entrée et de sortie d'oxygène. Dans le cas contraire, l'eau dans le flacon de l'humidificateur retourne vers le patient par le biais de la canule.
- En cas d'utilisation de raccords de tube de plus de 2,1 m (7 pi) de long, positionner l'humidificateur aussi près que possible du patient pour assurer une puissance d'humidification maximale.



AVERTISSEMENT !

Risque de blessures ou de dommages matériels

L'installation incorrecte du flacon de l'humidificateur ou de tout autre accessoire sur le concentrateur influe sur le débit d'oxygène.

- Pour vérifier le fonctionnement correct du concentrateur d'oxygène et des accessoires, immerger l'extrémité de la canule nasale dans une tasse à moitié remplie d'eau et repérer la présence de bulles.
- En l'absence de bulles, vérifier toutes les raccords (y compris le flacon de l'humidificateur et les autres accessoires, le cas échéant) et répéter l'opération. Si aucune bulle ne se forme, contacter immédiatement le revendeur ou le prestataire de services.

Remplissage du flacon d'humidificateur [Ⓐ]



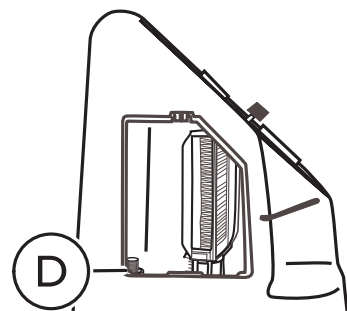
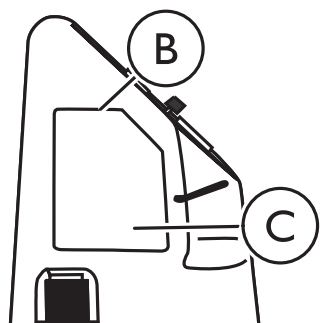
1. Retirer le chapeau du flacon.
2. Remplir le flacon [Ⓐ] de l'humidificateur avec de l'eau du robinet portée à ébullition ou de l'eau en bouteille, jusqu'au niveau indiqué par le fabricant. Faire bouillir l'eau du robinet pendant 10 minutes environ et la laisser refroidir à température ambiante avant de l'utiliser.



ATTENTION !

Risque de dommage matériel

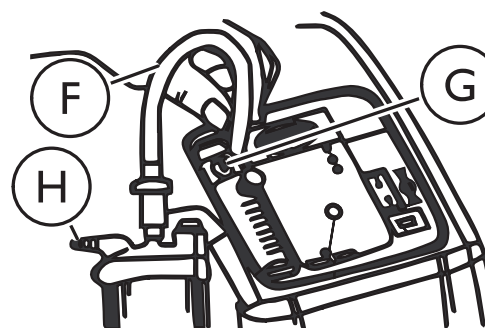
- Vérifier que le filetage du bouchon de l'humidificateur n'est pas faussé sur le flacon de l'humidificateur.



3. Insérer un tournevis à tête plate dans la rainure ② de la plaque sur le bord supérieur de la trappe d'accès au filtre ③ et la soulever doucement.



4. Lever et retirer l'adaptateur ④ du flacon de l'humidificateur (près du filtre d'entrée).



AVERTISSEMENT !

Risque de blessure

Pour éviter de modifier le débit d'oxygène:

- Installer correctement le flacon de l'humidificateur et/ou les autres accessoires.

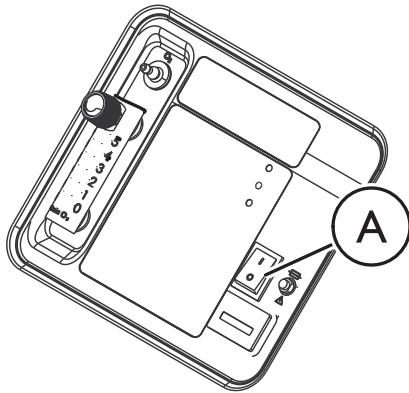
5. Le fixer à l'humidificateur en tournant l'écrou papillon sur le flacon de l'humidificateur dans le sens contraire des aiguilles d'une montre jusqu'à ce qu'il soit bien fixé.
6. Lors de la mise en place du flacon de l'humidificateur dans le compartiment ⑤ du concentrateur, fixer le tube adaptateur/flacon de l'humidificateur ⑥ au raccord de sortie d'oxygène ⑦ situé sur le concentrateur.



En cas d'utilisation de raccords de tube mesurant plus de 2,1 m (7 pi), positionner l'humidificateur aussi près que possible du patient pour assurer une puissance d'humidification maximale.

7. Fixer le tube d'alimentation de la canule nasale du patient à la sortie du flacon d'humidificateur ⑧.
8. Après montage, s'assurer que l'oxygène passe bien par la canule.
9. Remettre la trappe d'accès au filtre qui se situe sur le côté du concentrateur ; la rainure plaque doit émettre un déclic.

5.3.2 Mise en marche du concentrateur



1. Mettre le commutateur **A** en position Marche.

i Tous les voyants lumineux et l'alarme sonore s'allument pendant une seconde pour indiquer que l'appareil fonctionne normalement.

5.3.3 Débit

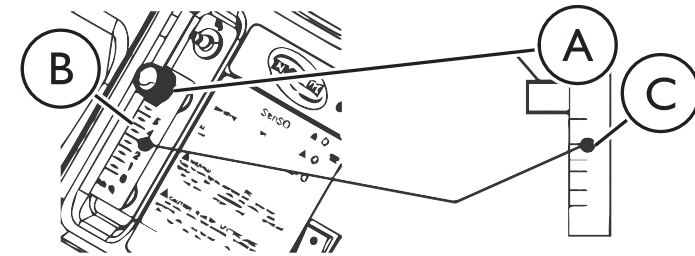


AVERTISSEMENT !

Risque de blessure

Pour éviter toute blessure résultant d'un excès ou d'un déficit d'oxygène:

- NE PAS modifier le réglage L/mn du débitmètre tant qu'un changement n'a pas été demandé par le médecin.



1. Tourner le bouton de débit **A** sur le réglage recommandé par le médecin.

i Pour bien lire le débitmètre, repérer le trait de débit **B** recommandée. Tourner ensuite le bouton **A** de débit de façon à voir la bille monter jusqu'au trait. Maintenant, centrer la bille **C** sur le trait L/mn recommandé.

2. Si jamais le débit du débitmètre passe en-dessous de 0,5 l/min pendant plus d'une minute, l'alerte d'obstruction potentielle est déclenchée. L'alarme sonore émet des signaux rapides. Contrôler le tube ou les accessoires pour repérer tout blocage ou pincement du tube ou un défaut de l'humidificateur. Une fois le débit nominal restauré entre 0,5 l/min et 0,75 l/min, l'alerte d'obstruction potentielle s'arrête.

i Une alerte d'obstruction potentielle indique un état pouvant être associé à une obstruction partielle ou complète de la sortie d'oxygène.

L'utilisation de certains accessoires comme le débitmètre pédiatrique PreciseRx™ et le compresseur HomeFill désactive l'alerte d'obstruction potentielle.

5.3.4 Indicateur de pureté de l'oxygène SensO₂

Ce dispositif contrôle la pureté de l'oxygène généré par le concentrateur d'oxygène. Si la pureté tombe au-dessous des normes préréglées à l'usine, les voyants du tableau de contrôle s'allument.

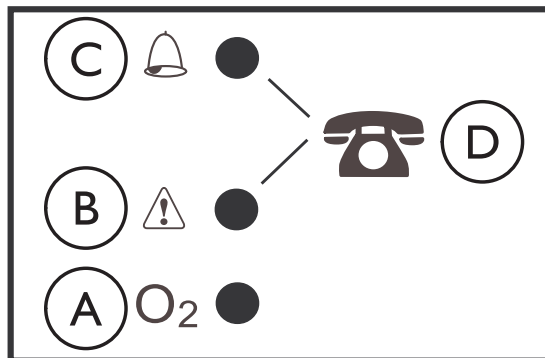
Mise en marche initiale du concentrateur





Le concentrateur peut être utilisé pendant la durée de chauffe du démarrage initial (environ 30 mn) en attendant que le voyant de pureté O₂ vert s'allume.

Lorsque l'appareil est mis en marche, le voyant VERT s'allume (Système correct/O₂ supérieur à 85 %). Après 5 minutes, le capteur d'oxygène fonctionne normalement et commande les voyants lumineux en fonction de la concentration d'oxygène définie.

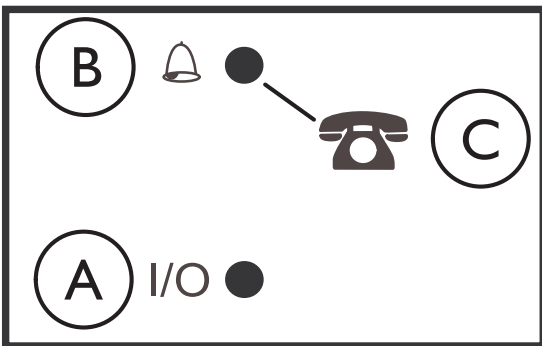
Explication des voyants de pureté de l'oxygène





	Symbole	Pureté O ₂	Voyants lumineux (DEL)	Explication
Ⓐ	O ₂	SYSTÈME CORRECT O ₂ au-dessus de 85 %	Témoin VERT	Aucune action est nécessaire. Normal pour l'opération.
Ⓑ		O ₂ entre 73 % et 85 %	Témoin JAUNE (fixe)	Appeler immédiatement le fournisseur. Sauf indication contraire de sa part, il est possible de continuer à utiliser le concentrateur. S'assurer de la présence d'une réserve d'oxygène à portée de main.
			Témoin JAUNE clignotant	

	Symbole	Pureté O ₂	Voyants lumineux (DEL)	Explication
Ⓒ		ÉCHEC SYSTÈME O ₂ au-dessous de 73 %	Témoin ROUGE (fixe)	Alarme sonore continue Arrêt du compresseur Sieve-GARD™ ÉCHEC SYSTÈME. Arrêt total de l'appareil. Passer immédiatement à la réserve d'oxygène et appeler le fournisseur.
Ⓓ		—	—	Appeler le prestataire

5.3.5 Unités sans SensO₂



Le concentrateur peut être utilisé pendant le temps de préchauffage initial (30 minutes environ). Ce délai permet d'atteindre le degré maximum de pureté de l'oxygène.

	Lumière	Symbole	Explication
Ⓐ	Voyant VERT	I/O	Fonctionnement normal
Ⓑ	Voyant ROUGE		Alarme sonore continue Arrêt du compresseur Sieve-GARD™ Arrêt total de l'appareil. Passer IMMÉDIATEMENT à l'alimentation en oxygène de réserve.
Ⓒ	—		Appeler le prestataire

5.4 Alarme de perte d'alimentation

Le système d'alarme ne contenant aucune batterie, il ne nécessite aucune maintenance. Il est alimenté par un condensateur chargé en continu et déclenche l'alarme dès la perte du courant.

6 Maintenance

6.1 Nettoyage du Coffret



DANGER !

Risque de blessures ou de dommages matériels

Les concentrateurs d'oxygène Invacare sont spécialement conçus pour limiter les opérations d'entretien préventif. Pour éviter tout risque de blessure ou de dommage matériel:

- Seul du personnel qualifié est autorisé à effectuer l'entretien préventif du concentrateur d'oxygène.
- NE PAS retirer le caisson.



DANGER !

Risque de blessures ou de dommages matériels

Les produits liquides endommagent les composants internes du concentrateur. Pour éviter tout dommage ou blessure en lien avec un choc électrique :

- Mettez le concentrateur hors tension et débranchez le cordon d'alimentation avant de procéder au nettoyage.
- NE PAS laisser un quelconque agent de nettoyage couler dans les orifices d'entrée et de sortie.
- NE pulvérisez ou n'appliquez aucun produit de nettoyage directement sur le coffret.
- NE PAS asperger le produit.



ATTENTION !

Risque de dommage matériel

Les agents chimiques agressifs peuvent endommager le concentrateur. Pour éviter les dommages matériels :

- NE nettoyez PAS le boîtier, la sacoche ou le filtre avec de l'alcool ou des produits à base d'alcool (alcool isopropylique), des produits à base de chlore concentré (déchlorure d'éthylène), des produits à base d'huile (Pine-Sol®, Lestoil®) ou tout autre agent chimique agressif. Utilisez uniquement un liquide vaisselle doux (tel que Dawn™).



La maintenance préventive DOIT au moins être effectuée conformément aux instructions du carnet de maintenance. Une maintenance plus fréquente peut s'avérer nécessaire sur les sites très poussiéreux ou impliquant des niveaux de suies élevés. Se reporter à la liste de vérification pour l'entretien.

Nettoyer périodiquement le caisson du concentrateur comme suit:

1. Utiliser un tissu humide ou une éponge avec un détergent doux, tel que du liquide vaisselle Dawn™, pour nettoyer délicatement le caisson extérieur.
2. Laisser le concentrateur sécher à l'air ou l'essuyer avec une serviette sèche avant de l'utiliser.

6.2 Nettoyage des filtres



ATTENTION !

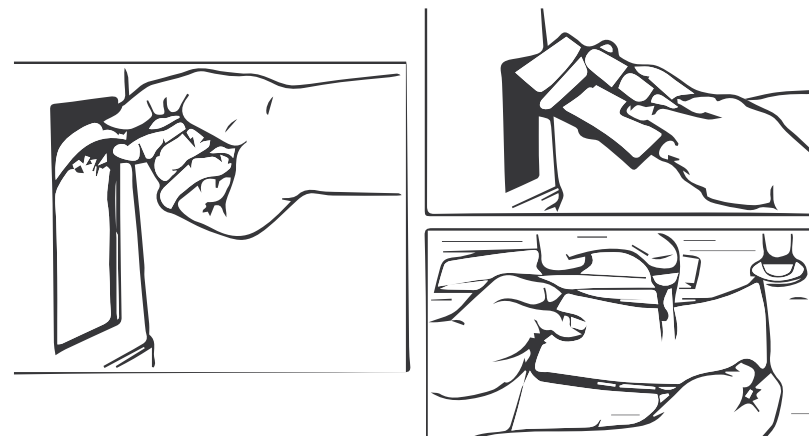
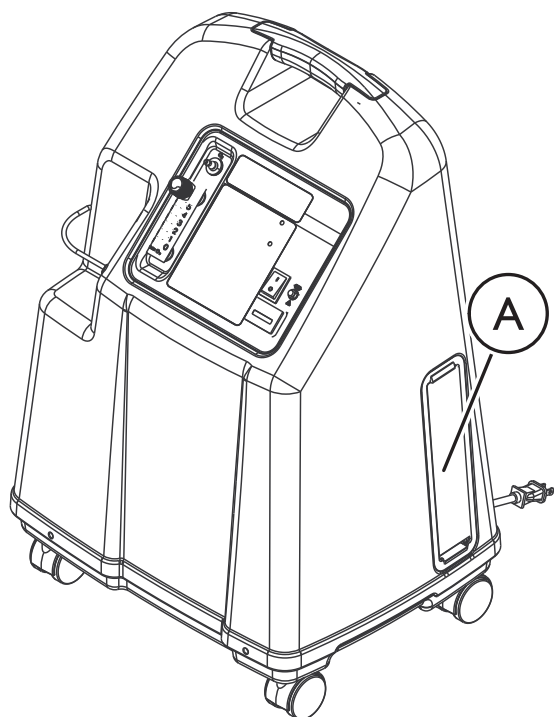
Risque de dommage matériel

Pour éviter les dommages causés par un colmatage :

- NE faites PAS fonctionner le concentrateur si le filtre d'entrée d'air n'est pas installé.



Deux filtres de caisson se situent de chaque côté du caisson.




1. Enlevez le filtre **A** et nettoyez le si nécessaire.




Certaines conditions ambiantes nécessitent un nettoyage plus fréquent des filtres, notamment : les environnements chargés en poussière, fumée, polluants atmosphériques etc.

2. Nettoyez le filtre de l'armoire avec un aspirateur ou laver avec un détergent doux liquide vaisselle (comme Dawn™) et de l'eau . Rincer soigneusement .
3. Sécher soigneusement le filtre et vérifier qu'il n'est pas effiloché, désagrégé, déchiré ou troué. Changer le filtre s'il est endommagé.
4. Réinstaller le filtre du caisson.

6.3 Nettoyage et désinfection thermique de l'humidificateur

 Nettoyer et désinfecter l'humidificateur d'oxygène quotidiennement pour réduire les dépôts calcaires et limiter le risque de contamination bactérienne. Suivre les instructions fournies par le fabricant. En l'absence d'instruction, suivre les étapes suivantes:

1. Nettoyer l'humidificateur à l'eau savonneuse et le rincer avec une solution composée de dix volumes d'eau pour un volume de vinaigre.
2. Rincer soigneusement le dispositif à l'eau chaude.
3. Le laisser sécher complètement à l'air libre.

 Après le nettoyage et s'il n'est pas utilisé, le laisser sécher complètement à l'air libre pour limiter la prolifération bactérienne. Consulter la section Configuration d'utilisation.

6.4 Nettoyage et désinfection entre les patients




AVERTISSEMENT !

Risque de blessures ou de dommages matériels

Pour éviter tout risque d'infection ou de dégât occasionné au concentrateur:

- Seul un personnel qualifié est autorisé à procéder au nettoyage et à la désinfection du concentrateur d'oxygène et des accessoires entre les patients.

 Suivre les présentes consignes pour éliminer tout échange éventuel de pathogènes entre des patients en raison de la contamination de composants ou accessoires. Procéder également à l'entretien préventif à ce moment-là, si nécessaire.

1. Jeter et remplacer tous les accessoires ne pouvant être utilisés par plusieurs patients, notamment les suivants:
 - Canule nasale et tube
 - Masque
 - Humidificateur
2. Suivre les procédures d'entretien décrites dans le présent manuel et les points de la liste de vérification pour l'entretien préventif.
3. Vérifier que le concentrateur ne présente aucun dommage externe, ni signe indiquant la nécessité d'un entretien ou d'une réparation.
4. S'assurer que le concentrateur et toutes les alarmes fonctionnent correctement.
5. Avant de remballer le dispositif et de le distribuer à un nouveau patient, s'assurer que l'emballage contient bien le concentrateur, le cordon d'alimentation, la prise d'air, la notice de montage, l'humidificateur, la canule, les étiquettes et le manuel d'utilisation.

6.5 Liste de vérification pour l'entretien préventif

N. Modèle:

N. De Série:

À CHAQUE CONTRÔLE							
Enregistrer la date d'entretien							
Enregistrer les heures écoulées sur le compteur horaire							
Nettoyer le ou les filtres du caisson							
Vérifier le débit prescrit en l/mn							
DANS LE CADRE DU PROGRAMME DE MAINTENANCE PRÉVENTIVE OU ENTRE PATIENTS							
UNITÉS SANS SensO₂: tous les six mois d'utilisation continue (équivalent à 4 380 heures)							
Vérifier la concentration d'oxygène (témoin vert)							
Nettoyer/remplacer le ou les filtre (voir la section « Nettoyage du filtre du caisson»).							
Contrôler/remplacer le filtre HEPA en sortie*							
Contrôler/remplacer le filtre d'entrée du compresseur*							
Contrôler l'alarme de perte d'alimentation*							
UNITÉS SANS SensO₂: tous les trois ans d'utilisation continue (équivalent à 26 280 heures)							
Vérifier la concentration d'oxygène (témoin vert)							
Nettoyer/remplacer le ou les filtre (voir la section « Nettoyage du filtre du caisson»).							
Contrôler/remplacer le filtre HEPA en sortie*							
Contrôler/remplacer le filtre d'entrée du compresseur*							

Contrôler l'alarme de perte d'alimentation*							
*À effectuer uniquement par un fournisseur ou technicien d'entretien qualifié. Se reporter au manuel d'entretien.							

7 Après l'utilisation

7.1 Informations relatives au recyclage

Ce produit a été fourni par un fabricant conscient des enjeux environnementaux et qui respecte les normes de la Directive 2012/19/UE sur les déchets d'équipements électriques et électroniques (DEEE). Ce produit peut contenir des substances nuisibles à l'environnement s'il est jeté dans un endroit (décharge) non conforme à la législation en vigueur.

Suivre les réglementations locales et les plans de recyclage régissant la mise au rebut du concentrateur ou des composants habituellement utilisés pour son fonctionnement. Le concentrateur ne génère pas de déchets ou de résidus en fonctionnement.

- NE PAS jeter le concentrateur dans le circuit classique des déchets.
- Tout accessoire ne faisant pas partie du concentrateur DOIT être traité conformément aux indications de mise au rebut spécifiées.
- NE PAS jeter la batterie interne et les blocs de recharge. Le bloc batterie doit être retourné au revendeur/fournisseur.

Invacare® s'efforce en permanence de réduire au minimum son impact sur l'environnement, à l'échelle locale et mondiale. Nous respectons la législation en vigueur en matière d'environnement (notamment, les directives DEEE et RoHS). Nous n'utilisons que des matériaux et composants conformes au règlement REACH.

7.2 Usure normale

Invacare se réserve le droit de demander le retour de tout article présentant un défaut de fabrication allégué. Voir la garantie livrée avec le produit pour toute information spécifique sur la garantie.

Se reporter au manuel d'utilisation pour un calendrier adapté d'entretien préventif et pour l'utilisation du produit.

Il fournit des recommandation générales et ne concerne pas des produits endommagés en raison d'une utilisation abusive ou impropre.

Les éléments et composants de ce produit touchés par l'usure normale sont énumérés ci-dessous.

- Tous types de filtres
- Tous types de tubes
- Tous types de batteries, y compris les batteries au plomb-acide/lithium, les piles bouton (type montre) et les batteries gel (six mois)





Le tamis est un matériau filtrant poreux et il est considéré comme une pièce d'usure. Parmi les facteurs pouvant altérer le matériau du tamis figurent l'humidité, la température, les particules, les aérocontaminants, l'entrée d'air, la vibration et d'autres conditions environnementales.

8 Résolution de problèmes

8.1 Résolution de problèmes


SYMPTÔME	CAUSE PROBABLE	SOLUTION
Alarme:	Perte d'alimentation principale:	
Bips sonores, courts, longue Le concentrateur ne fonctionne pas, positionner l'interrupteur sur marche. Bip.....Bip.....	<ol style="list-style-type: none"> 1. Le cordon n'est PAS branché. 2. Pas de courant à la sortie. 3. Disjoncteur déclenché. 	<ol style="list-style-type: none"> 1. Insérer la fiche dans la prise. 2. Contrôler le disjoncteur ou les fusibles. Si le problème se produit de nouveau, utiliser une autre prise. 3. Pousser/réinitialiser le disjoncteur. Si le problème persiste, appeler le prestataire de services.
Alarme:	Défaillance du système:	
Continue Le concentrateur ne fonctionne pas. L'interrupteur est sur marche. Biiiiiiip.....	<ol style="list-style-type: none"> 1. Surchauffe de l'appareil du fait du blocage de l'admission d'air. 2. Puissance insuffisante à la sortie. 3. Réparations internes requises. 	<ol style="list-style-type: none"> 1. <ol style="list-style-type: none"> a. Retirer les filtres et les nettoyer. b. Éloigner le concentrateur d'oxygène à au moins 30, 5 cm des murs, rideaux ou meubles. 2. NE PAS utiliser de rallonge. Passer à une autre circuit ou prise électrique. 3. Appeler le service après-vente.

SYMPTÔME	CAUSE PROBABLE	SOLUTION
<p>Alarme:</p> <p>Voyant JAUNE ou ROUGE allumé.</p> <p>Alarme : témoin Marche ROUGE fixe</p> <p> * Ne concerne que les SensO₂ modèles.</p>	<p>Défaillance du système:</p> <ol style="list-style-type: none"> 1. Pureté d'oxygène faible.* 2. Tube, canule ou humidificateur coudé ou bloqué .* 3. Débitmètre réglé sur 0,5 L/mn ou moins.* 4. Surchauffe de l'appareil du fait du blocage de l'admission d'air. 5. Puissance insuffisante à la sortie. 6. Réparations internes requises. 	<ol style="list-style-type: none"> 1. Nettoyer ou remplacer les filtres. 2. Contrôler l'absence de coudes ou blocages. Rectifier, nettoyer ou remplacer l'article. Une fois la correction exécutée, mettre hors tension pendant 60 secondes, puis de nouveau sous tension. 3. Vérifier que le débitmètre est réglé sur 1,0 l/min ou plus. Se reporter aux paramètres types du produit. 4. <ol style="list-style-type: none"> a. Retirer les filtres et les nettoyer. b. Éloigner le concentrateur à au moins 12 in (30,5 cm) des murs, rideaux ou meubles. 5. NE PAS utiliser de rallonge. Passer à un autre circuit ou prise électrique. 6. Appeler le service après-vente.
<p>Témoins VERT et JAUNE clignotants</p>	<ol style="list-style-type: none"> 1. Réparations internes requises. 	<ol style="list-style-type: none"> 1. Appeler le service après-vente.
<p>Alarme:</p> <p>RAPIDE</p> <p>Bip... Bip...</p> <p>Bip... Bip...</p>	<p>Alerte d'obstruction potentielle:</p> <ol style="list-style-type: none"> 1. Possibilité d'obstruction interne du passage d'oxygène. Tube, canule ou humidificateur coudé ou bloqué. 2. Débitmètre réglé sur 0,5 L/mn ou moins. 	<ol style="list-style-type: none"> 1. Contrôler l'absence de coudes ou blocages. Rectifier, nettoyer ou remplacer l'article. Une fois la correction exécutée, mettre hors tension pendant 60 secondes, puis mettre de nouveau sous tension. 2. Régler de nouveau le débitmètre sur le débit prescrit. Les débits inférieurs à 1 L/mn ne sont pas recommandés. <p> L'utilisation du débitmètre pédiatrique désactive l'alerte d'obstruction potentielle.</p>

9 Caractéristiques techniques

9.1 Paramètres Types Du Produit

Spécifications électriques:	230 VAC + 10, -15% (253 VAC/195.5 VAC), 50 Hz
Consommation de courant nominal:	1,4 A (IRC5LXO2AWQ)
	2,0 A (IRC5LXAW, IRC5LXO2AW)
	2,3 A (IRC9LXO2AWQ)
Niveau sonore:	39,5 dB en moyenne
	44 dB en moyenne (IRC5LXAW, IRC5LXO2AW)
	50 dB en moyenne (IRC9LXO2AWQ)
Altitude:	Jusqu'à 1 828 mètres au-dessus du niveau de la mer sans dégradation des niveaux de concentration. UTILISATION NON RECOMMANDÉE AU-DELÀ DE 1 828 mètres Plage de pression atmosphérique: 101,33 kPa — 81,22 kPa
	Jusqu'à 1 230 m au-dessus du niveau de la mer sans diminution des taux de concentration. Plage de pression atmosphérique: 101,33 kPa — 88,0 kPa
*Sortie d'oxygène Niveaux de concentration: tous 5LXO2AWQ/5LXAW / 5LXO2AW/9LXO2AWQ modèles	IRC5LXAW, IRC5LXO2AW et IRC5LXO2AWQ 93 % minimum de 1 à 3 l/min 91 % minimum à 4 l/min 87 % minimum à 5 l/min (débit maximum recommandé)

<p> *Les niveaux de concentration indiqués ont été obtenus après une période de chauffe initiale d'environ 30 minutes</p>	<p>IRC9LXO2AWQ</p> <p>92% minimum de 1 à 2 l/min</p> <p>93% minimum de 3 à 7 l/min</p> <p>91% minimum à 8 l/min</p> <p>87% minimum à 9 l/min</p>
<p>Pression de sortie maximale:</p>	<p>IRC5LXAW, IRC5LXO2AW, IRC5LXO2AWQ</p> <p>34,5 kPa ± 3,45 kPa (5 psi ± 0,5 psi)</p>
<p>Plage de débit:</p>	<p>IRC9LXO2AWQ</p> <p>62,0 kPa ± 3,45 kPa (9 ± 0,5 psi)</p>
<p>Alerte d'obstruction potentielle:</p>	<p>IRC5LXAW, IRC5LXO2AW, IRC5LXO2AWQ</p> <p>0,5 à 5 l/min. Des débits inférieurs à 1 l/min ne sont pas recommandés</p>
<p>Alerte d'obstruction potentielle:</p>	<p>IRC9LXO2AWQ</p> <p>De 1 à 9 l/min, il est déconseillé d'utiliser un débit inférieur à 1 l/min.</p>
<p>Consommation électrique moyenne:</p>	<p>Le concentrateur détecte un état pouvant indiquer une obstruction potentielle de la sortie d'oxygène. Avertissement sonore par bip rapide (cette alerte est désactivée lors du branchement des accessoires). Peut être associé à un réglage du débit de 0,5 l/min ou moins.</p>
<p>Consommation électrique moyenne:</p>	<p>IRC5LXO2AWQ</p> <p>300 W</p> <p>280 W à 3 l/min</p>
<p>Consommation électrique moyenne:</p>	<p>IRC5LXO2AW</p> <p>365 W</p> <p>340 W à 3 l/min</p>

	IRC5LXAW 380 W
	IRC9LXO2AWQ 475 W
Mécanisme de décompression fonctionnant à:	241 kPa ± 24,1 kPa (35 psi ± 3,5 psi)
Modification du débit maximal recommandé lorsqu'une contre-pression de 7 kPa est appliquée:	0,7 l/min
Filtres:	Appareil (2), sortie HEPA et entrée du compresseur
Système de sécurité:	Arrêt en cas de surcharge de courant ou de surtension. Arrêt du compresseur en cas de température élevée. Alarme haute pression avec arrêt du compresseur. Alarme basse pression avec arrêt du compresseur. Alerte de perte d'alimentation auxiliaire. Alerte d'obstruction potentielle du système à oxygène SensO ₂
Largeur:	46,7 cm ± 1 cm
Hauteur:	67,0 cm ± 1 cm
Profondeur:	36,5 cm ± 1 cm
Poids:	IRC5LXAW, IRC5LXO2AW, IRC5LXO2AWQ 23,6 kg ± 1 kg (52 lbs ± 2 lbs)
	IRC9LXO2AWQ 24,0 kg ± 1 kg (53 lbs ± 2 lbs)

Poids d'expédition:	IRC5LXAW, IRC5LXO2AW, IRC5LXO2AWQ 26,8 kg ± 1 kg (59 lbs ± 2 lbs)
	IRC9LXO2AWQ 27,2 kg ± 1 kg (60 lbs ± 2 lbs)
Conditions de fonctionnement ambiantes:	10 °C – 35 °C à une humidité relative de 20 à 60 %
Cabinet:	Coffret en plastique ininflammable anti-chocs compatible avec UL 94-V0
Liste des normes et réglementations:	IRC5LXAW/IRC5LXO2AW/ IRC5LXO2AWQ/IRC9LXO2AWQ Testé par ETL en conformité avec: EN55011 EN61000-3-2 EN61000-3-3 IEC 60601-1, A1, A2 IEC 60601-1-2 IRC5LXO2AW, IRC5LXO2AWQ, IRC9LXO2AWQ modèles uniquement ISO8359 MDD
Modèles CE:	IRC5LXO2AW, IRC5LXO2AWQ, IRC9LXO2AWQ
Électricité:	Pas de rallonge.

Positionnement:	<p>À au moins 30,5 cm (12 in) des murs, mobiliers, rideaux ou surfaces similaires.</p> <p>Éviter de le placer sur une moquette épaisse, ou à proximité d'un chauffage, d'un radiateur ou d'une bouche d'air chaud.</p> <p>Sur le sol uniquement.</p> <p>Aucun espace confiné (par exemple : aucune armoire).</p>
Lunette à oxygène:	<p>IRC5LXAW, IRC5LXO2AW, IRC5LXO2AWQ</p> <p>Canule de 2,1 mètres indéformable de 15,2 m max.</p> <p>(NE PAS PINCER)</p>
	<p>IRC9LXO2AWQ</p> <p>il est recommandé d'utiliser un tube à haut débit (longueur maximale de 15 m) avec canule à haut débit et ce, quel que soit le débit.</p>
Humidité relative:	20 à 60%
Durée de fonctionnement:	Jusqu'à 24 heures par jour
Température recommandée pour le stockage et l'expédition:	-29 °C à 65 °C, à une humidité relative de 15 à 95%.

Inhaltsverzeichnis

Diese Gebrauchsanweisung muss dem Benutzer des Produkts ausgehändigt werden. Lesen Sie diese Gebrauchsanweisung vor Verwendung des Produktes und bewahren Sie sie für den weiteren Gebrauch auf.

I Allgemein	104
1.1 Symbole	104
1.2 Bestimmungsgemäßer Gebrauch	106
1.3 Beschreibung	106
1.4 Gegenanzeigen	107
1.5 Sonderzubehör	107
2 Sicherheit	108
2.1 Anbringungsorte der Etiketten	108
2.2 Allgemeine Richtlinien	110
2.3 Hochfrequenzstörungen	114
3 Aufbau und Funktion	115
3.1 Identifizierung der Komponenten	115
4 Inbetriebnahme	117
4.1 Auspacken	117
4.2 Überprüfung	117
4.3 Lagerung	117
5 Verwenden	118
5.1 Einführung	118
5.2 Standortwahl	118
5.3 Einrichten des Befeuchters	121
5.3.1 Einrichten des Befeuchters	121
5.3.2 Einschalten des Konzentrators	123
5.3.3 Flussrate	123
5.3.4 SensO ₂ Sauerstoffreinheitsanzeigen	124

5.3.5 Einheiten ohne SensO ₂	126
5.4 Alarmsystem bei Stromausfall	126
6 Wartung	127
6.1 Reinigung des Gehäuses	127
6.2 Reinigung der Gehäusefilter	128
6.3 Reinigung und thermische Desinfektion des Befeuchters	129
6.4 Reinigung und Desinfektion bei Patientenwechsel	129
6.5 Checkliste zur vorbeugenden Wartung	130
7 Nach dem Gebrauch	131
7.1 Hinweise zum Recycling	131
7.2 Verschleiß	131
8 Fehler erkennen und beheben	132
8.1 Fehler erkennen und beheben	132
9 Technische Daten	135
9.1 Typische produktparameter	135

I Allgemein

I.1 Symbole

In diesem Handbuch werden Signalwörter verwendet, die sich auf Gefahren oder unsichere Praktiken beziehen, welche zu Verletzungen oder Sachschäden führen könnten. Die Definitionen der Signalwörter finden Sie in der folgenden Tabelle.



GEFAHR!

– Das Signalwort „Gefahr“ weist auf eine unmittelbar drohende Gefahr hin, die bei Nichtbeachtung zum Tod oder zu schweren Verletzungen führt.



WARNUNG!

– Das Signalwort „Warnung“ weist auf eine potenziell gefährliche Situation hin, die bei Nichtbeachtung zum Tod oder zu schweren Verletzungen führen könnte.



VORSICHT!

– Das Signalwort „Achtung“ weist auf eine potenziell gefährliche Situation hin, die bei Nichtbeachtung unter Umständen zu Sachschäden und/oder leichten Verletzungen führen könnte.



Nützliche Tipps, Empfehlungen und Informationen für eine effiziente und reibungslose Verwendung.

In der Dokumentation verwendete Symbole



Lesen Sie das Handbuch



Rauchen Verboten



Kein offenes Feuer



Klasse II, doppelte Isolierung



Wechselspannung



Typ BF Anwendungsteil



Recycling



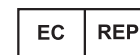
NICHT über den normalen Haushaltsmüll entsorgen



Schwerer Stromschlag



Trocken halten



EG-Vertreter



Hersteller



Händler anrufen!



**Dieses Produkt entspricht der Richtlinie 93/42/EWG über Medizinprodukte.

Der Markteinführungszeitpunkt für dieses Produkt ist in der CE-Konformitätserklärung angegeben.

Weitere Informationen zur CE-Kennzeichnung finden Sie in den typischen Produktparametern.

Symbole auf dem Produkt



EIN



AUS

O₂-Anzeigen

Symbol	O ₂ -Reinheit	Anzeigeleuchten (LED)
O ₂	SYSTEM IN ORDNUNG O ₂ über 85 %	GRÜNES Licht

	O ₂ zwischen 73 % und 85 %	GELBES Licht A. Dauer-Gelb B. Blinkendes Gelb, Sensordefekt Rufen Sie einen qualifizierten Techniker
	SYSTEMAUSFALL O ₂ unter 73 %	ROTES Licht Siehe Problembehandlung.

LX-Anzeigen

Symbol	O ₂ -Reinheit	Anzeigeleuchten (LED)
I/O	SYSTEM ORDNUNG	GRÜNES Licht
	SYSTEMAUSFALL	ROTES Licht Kontinuierlicher akustischer Alarm Sieve-GARD™ Kompressor-Stillstand Rufen Sie einen qualifizierten Techniker

1.2 Bestimmungsgemäßer Gebrauch

Der Sauerstoffkonzentrator ist für den individuellen Gebrauch durch Patienten mit Atemwegsstörungen vorgesehen, die zusätzlichen Sauerstoff benötigen. Es ist nicht für die Verwendung als lebensunterstützendes oder lebenserhaltendes Gerät vorgesehen. Der Konzentrator ist zur Verwendung in Heimen oder Institutionen vorgesehen.



GEFAHR!

Verletzungs- oder todesgefahr

Dieses Produkt wurde nicht dafür konzipiert, lebensunterstützende oder lebenserhaltende Maßnahmen zu leisten. Benutzen Sie dieses Gerät NUR, wenn der Patient zur Spontanatmung fähig ist und ohne maschinelle Unterstützung ein- und ausatmen kann.

- VERWENDEN Sie das Gerät NICHT mit anderen Sauerstoffkonzentratoren oder Sauerstofftherapiegeräten in parallel oder in Serie geschaltet.



GEFAHR!

Verletzungs- oder todesgefahr

Abhängig von ihren medizinischen Bedingungen kann bei Patienten mit Durchflussmengen von mehr als 5 l/m im Versagensfall das erhöhte Risiko einer schweren Verletzung oder ein erhöhtes Todesfallrisiko bestehen.

- Dieses erhöhte Risiko VOR Verwendung des Produkts IMMER mit Ihrem Gesundheitsdienstleister besprechen, wenn eine Durchflussmenge von mehr als 5 l/m verschrieben wird.



GEFAHR!

Verletzungs- oder todesgefahr

Obwohl Invacare bestrebt ist, den besten am Markt erhältlichen Sauerstoffkonzentrator herzustellen, kann die Erzeugung von Sauerstoff mit diesem Konzentrator dennoch aufgrund eines Stromausfalls oder einer Fehlfunktion des Geräts versagen.

- IMMER eine O₂-Quelle als Ersatz bereithalten.
- Sollte die Sauerstofferzeugung durch den Konzentrator versagen, wird dem Patienten durch einen kurzen Alarm signalisiert, auf diese O₂-Quelle umzuschalten. Weitere Informationen finden Sie in der Fehlerbehebung.



WARNUNG!

Gefahr von Verletzungen oder Sachschäden

Die Verwendung dieses Geräts außerhalb des Anwendungszwecks und der Anwendungsparameter wurde nicht getestet und kann zur Beschädigung oder dem Verlust der Funktionsfähigkeit des Geräts oder zu Personenschaden führen.

- Verwenden Sie das Gerät NICHT außerhalb der in den Abschnitten „Typische Produktparameter“ und „Anwendungszweck“ dieses Handbuchs beschriebenen Angaben.

1.3 Beschreibung

Der Platinum Sauerstoffkonzentrator von Invacare ist für Patienten mit Atemproblemen vorgesehen, die zusätzlichen Sauerstoff benötigen. Das Gerät wurde nicht zur Lebenserhaltung oder Lebensunterstützung konzipiert.

Die Sauerstoffkonzentration des ausgestoßenen Gases schwankt zwischen 87% und 95,6%.

Der Platinum Sauerstoffkonzentrator von Invacare arbeitet mit einem Molekularsieb und einem Druckwechsel-Adsorptionsverfahren, um Sauerstoff ausgeben zu können. Umgebungsluft strömt in das Gerät, wird gefiltert und anschließend komprimiert. Diese komprimierte Luft wird dann zu einem von zwei Siebbetten geleitet, die Stickstoff adsorbieren.

Der konzentrierte Sauerstoff tritt am anderen Ende des aktiven Siebbetts aus und wird zum Sauerstoffreservoir geleitet. Von dort wird es dem Patienten zugeführt.

Der Platinum Konzentrator von Invacare kann vom Patienten zu Hause oder in einer medizinischen Einrichtung verwendet werden. Das Gerät wird über eine nominale Versorgungsspannung von 230 VAC/50 Hertz betrieben.

Serviceinformationen werden auf Anfrage ausschließlich dem qualifizierten technischen Kundendienst zur Verfügung gestellt.

I.4 Gegenanzeigen

Invacare sind keine Gegenanzeigen für die Invacare Platinum Konzentrator-Serie bekannt.

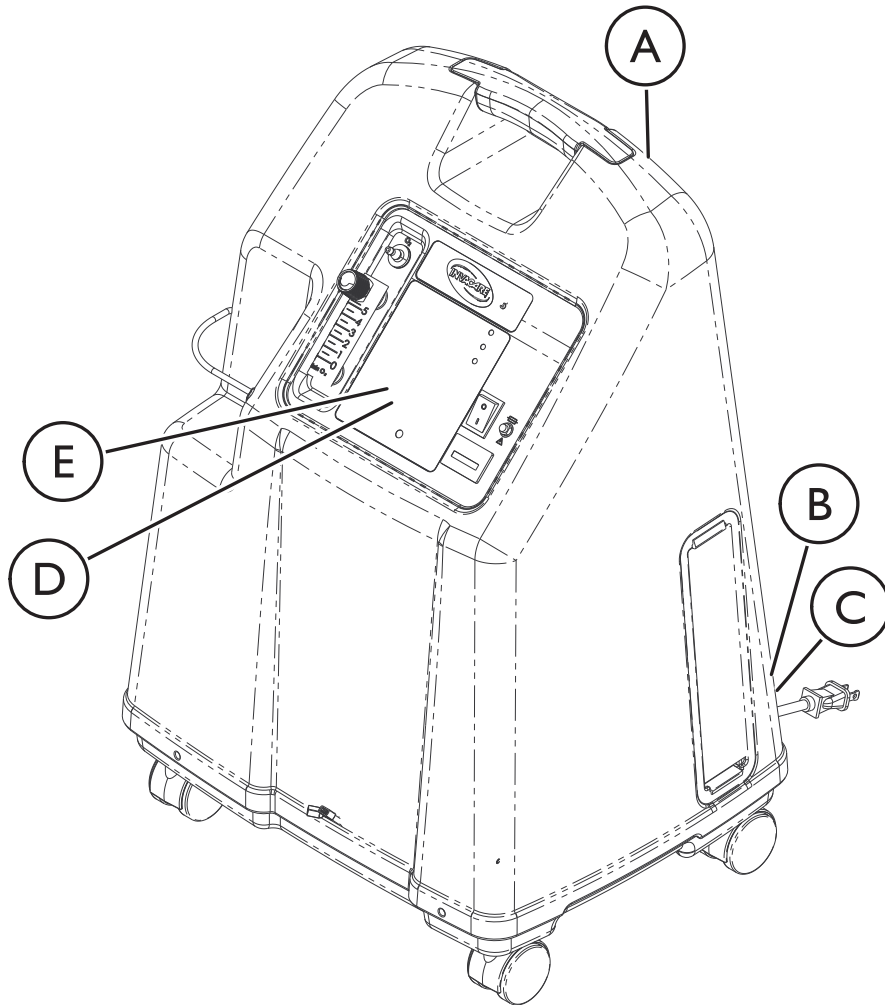
I.5 Sonderzubehör

Es gibt eine Vielzahl unterschiedlicher Befeuchter, Sauerstoffschläuche, Kanülen und Masken, die mit diesem Gerät verwendet werden können. Wenden Sie sich an Ihren lokalen Gesundheitsdienstleister, um sich von diesen Produkten die geeignetsten empfehlen zu lassen. Er sollte Sie außerdem über die korrekte Verwendung, Pflege und Reinigung informieren.

Das Zubehör (Nasenkanüle, Maske, Schläuche, Befeuchter usw.), über das der Patient mit Sauerstoff versorgt wird, muss eine Vorrichtung enthalten, die zum Schutz des Patienten und anderer Personen die Ausbreitung eines Feuers im Zubehör verhindert. Wenn im Zubehör eine handelsübliche, durch Feuer ausgelöste Nachströmsperre verwendet wird, sollte sie sich so nahe wie möglich am Patienten befinden.

2 Sicherheit

2.1 Anbringungsorte der Etiketten

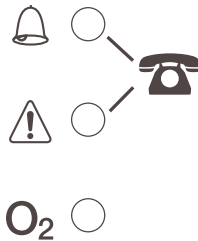


Ⓐ	Das Seriennummertikett befindet sich an der Ansaugbaugruppe des Resonators.
Ⓑ	Das Typenschild befindet sich auf der Rückseite des Konzentrators an der Basis.
Ⓒ	Das Etikett für die doppelte Isolierung befindet sich auf der Rückseite des Konzentrators an der Basis.

IRC5LX02AW, IRC5LX02AWQ, IRC9LX02AWQ


HomeFill® Compatible
mit SensO₂™

ANWEISUNGEN ZUM SICHEREN BETRIEB, ZU DEN ALARMEN SOWIE AKUSTISCHEN WARNUNGEN UND ZUR VERWENDUNG VON ZUBEHÖR SIND IN DER GEBRAUCHSANWEISUNG ENTHALTEN ODER KÖNNEN SIE BEI IHREM ANBIETER VON AUSRÜSTUNG FÜR DIE HÄUSLICHE PFLEGE ERHALTEN.



⚠ GEFAHR BRANDGEFAHR – RAUCHEN, OFFENES FEUER ODER ZÜNDQUELLEN VERBOTEN

Alle Zündquellen aus dem Raum, in dem sich dieses Produkt befindet, sowie von dem Bereich fernhalten, in dem der Sauerstoff verabreicht wird fernhalten. Textilien, Öl und andere Brennstoffe werden in mit Sauerstoff angereicherter Luft leicht entzündet und brennen mit großer Intensität.

⚠ GEFAHR STROMSCHLAGGEFAHR 
Die Abdeckung darf NICHT entfernt werden. Wenden Sie sich an qualifiziertes Wartungspersonal.

IRC5LXAW

HomeFill® II



ANWEISUNGEN ZUM SICHEREN BETRIEB, ZU DEN ALARMEN SOWIE AKUSTISCHEN WARNUNGEN UND ZUR VERWENDUNG VON ZUBEHÖR SIND IN DER GEBRAUCHSANWEISUNG ENTHALTEN ODER KÖNNEN SIE BEI IHREM ANBIETER VON AUSRÜSTUNG FÜR DIE HÄUSLICHE PFLEGE ERHALTEN.



⚠ GEFAHR BRANDGEFAHR – RAUCHEN, OFFENES FEUER ODER ZÜNDQUELLEN VERBOTEN

Alle Zündquellen aus dem Raum, in dem sich dieses Produkt befindet, sowie von dem Bereich fernhalten, in dem der Sauerstoff verabreicht wird fernhalten. Textilien, Öl und andere Brennstoffe werden in mit Sauerstoff angereicherter Luft leicht entzündet und brennen mit großer Intensität.

⚠ GEFAHR STROMSCHLAGGEFAHR 

Die Abdeckung darf NICHT entfernt werden. Wenden Sie sich an qualifiziertes Wartungspersonal.

2.2 Allgemeine Richtlinien

Um die sichere Installation, den sicheren Zusammenbau und Betrieb des Konzentrators zu gewährleisten, MÜSSEN diese Anweisungen befolgt werden.



GEFAHR!

Gefahr von Tod, Verletzungen oder Sachschäden

Die unsachgemäße Verwendung dieses Produkts kann zu Tod, Verletzungen oder Sachschäden führen. Dieser Abschnitt enthält wichtige Informationen zum sicheren Umgang mit diesem Produkt.

- Verwenden Sie dieses Produkt oder vorhandenes Sonderzubehör NICHT, bevor Sie diese Anweisungen und mögliches zusätzliches Anleitungsmaterial, wie zu dem Produkt oder dem Sonderzubehör gehörende Gebrauchsanweisungen, Servicehandbücher oder Merkblätter, vollständig gelesen und verstanden haben.
- Falls die Warnungen, Sicherheitshinweise und Anweisungen unverständlich sind, wenden Sie sich an einen Arzt, den Vertragshändler oder den technischen Kundendienst, bevor Sie das Produkt verwenden.
- Prüfen Sie ALLE außenliegenden Bauteile und die Verpackung auf Beschädigungen. Im Falle von Beschädigungen oder wenn das Produkt nicht ordnungsgemäß funktioniert, wenden Sie sich an einen Servicetechniker oder Invacare, damit entsprechende Reparaturmaßnahmen durchgeführt werden können.
- DIE IN DIESEM HANDBUCH ENTHALTENEN INFORMATIONEN KÖNNEN JEDERZEIT OHNE VORHERIGE ANKÜNDIGUNG GEÄNDERT WERDEN.



GEFAHR!

Gefahr von Tod, Verletzungen oder Sachschäden durch Feuer

Textilien, Öl oder erdölbasierte Materialien, Schmiermittel und Fettstoffe und andere brennbare Stoffe sind leicht entzündlich und brennen mit hoher Intensität in mit Sauerstoff angereicherter Luft und wenn Sie mit unter Druck gesetztem Sauerstoff in Kontakt kommen. So verhindern Sie Brände, Tod, Verletzungen oder Sachschäden:

- Das RAUCHEN ist während der Verwendung dieses Geräts UNTERSAGT.
- NICHT in der Nähe von OFFENEM FEUER oder ZÜNDQUELLEN verwenden.
- Verwenden Sie KEINE Gleitmittel am Konzentrator, die nicht von Invacare empfohlen wurden.
- Schilder mit der Aufschrift RAUCHEN VERBOTEN sollten gut sichtbar angebracht werden.
- Vermeiden Sie Funkenbildung in der Nähe von Sauerstoffgeräten. Das schließt Funkenbildung aufgrund statischer Elektrizität durch jegliche Art von Reibung ein.
- Vermeiden Sie, dass sich Streichhölzer, angezündete Zigaretten oder andere Zündquellen in dem Raum befinden, in dem sich der Konzentrator befindet und halten Sie diese von dem Bereich fern, in dem Sauerstoff verabreicht wird.
- Sauerstoffschläuche, Kabel und der Konzentrator dürfen nicht von Decken, Bettdecken, Sitzkissen, Kleidung o. ä. bedeckt werden oder in die Nähe von beheizten oder heißen Oberflächen, wie z. B. Raumheizkörpern, Heizöfen und ähnlichen elektrischen Geräten kommen.

**VORSICHT!**

Gesetzlich kann der Erwerb dieses Geräts auf den Verkauf oder die Vermietung an einen Arzt oder auf dessen Anordnung bzw. an jede andere Fachkraft eingeschränkt sein, gemäß den jeweils geltenden gesetzlichen Vorschriften, unter denen er/sie praktiziert.

- NUR ein zugelassener Arzt ist berechtigt, den Kauf oder die Benutzung dieses Geräts anzuordnen.

**GEFAHR!****Gefahr von Tod, Verletzungen durch elektrischen Schock**

Zur Verringerung der Gefahr von Verbrennungen, der Vermeidung eines elektrischen Schocks, Todesfällen oder Personenschäden:

- Das Gerät NICHT auseinander nehmen. Wartungsarbeiten dürfen nur von qualifiziertem Wartungspersonal durchgeführt werden. Keine vom Benutzer wartbaren Teile.
- Nicht beim Baden verwenden. Bei ärztlich vorgeschriebener, kontinuierlicher Verwendung, muss der Konzentrator in einem anderen Raum, mindestens 2,5 m von der Badewanne entfernt stehen.
- BERÜHREN Sie den Konzentrator NICHT in nassem Zustand.
- Stellen/Bewahren Sie das Gerät NICHT an einem Ort auf, an dem es ins Wasser oder eine andere Flüssigkeit fallen kann.
- Greifen Sie NICHT nach dem Konzentrator, wenn er ins Wasser gefallen ist. Ziehen Sie SOFORT den Stecker aus der Steckdose.
- Verwenden Sie KEIN abgenutztes oder beschädigtes Netzkabel.



WARNUNG!

Gefahr von Verletzungen oder Sachschäden

- Die Konstruktion und die Herstellung der Invacare-Produkte sind so speziell, dass ausschließlich Invacare-Zubehör verwendet werden darf. Zubehörteile von anderen Herstellern sind nicht von Invacare getestet worden und werden für die Verwendung mit Invacare-Produkten nicht empfohlen.
- Es gibt eine Vielzahl unterschiedlicher Befeuchter, Sauerstoffschläuche, Kanülen und Masken, die mit diesem Gerät verwendet werden können. Wenden Sie sich an Ihren lokalen Gesundheitsdienstleister, um sich von diesen Produkten die geeignetsten empfehlen zu lassen. Er sollte Sie außerdem über die korrekte Verwendung, Pflege und Reinigung informieren.



GEFAHR!

Verletzungs- oder Todesgefahr

Zur Vermeidung einer Erstickungsgefahr oder der Aufnahme von Chemikalien einer Atemwegsverunreinigung:

- Verwenden Sie den Konzentrator in einer Umgebung FREI VON Verunreinigungen, Rauch, Gasen, entzündlichen Narkosemitteln, Reinigungsmitteln oder chemischen Dämpfen.



WARNUNG!

Verletzungs- oder Todesgefahr

- So verhindern Sie Verletzungen oder Todesfälle aufgrund einer falschen Verwendung des Produkts:
- Strenge Aufsicht ist erforderlich, wenn dieser Konzentrator in der Nähe von Kindern oder körperlich behinderten Personen verwendet wird.
 - Patienten, die Alarmhinweise nicht sehen oder hören oder ihr Unbehagen nicht mitteilen können, müssen beaufsichtigt werden.



WARNUNG!

Verletzungsrisiko oder Todesgefahr

So vermeiden Sie Ersticken und/oder Strangulieren durch Verwicklung des Schlauchs:

- Halten Sie Kinder und Haustiere von der Nasalkanüle und den Schläuchen fern.
- Strenge Aufsicht ist erforderlich, wenn die Nasalkanüle in der Nähe von Kindern und/oder behinderten Personen verwendet wird.



WARNUNG!

Verletzungs- oder Todesgefahr

Zur Verringerung der Verletzungsgefahr und Todesfällen bei Krankheit:

- Erneuern Sie die Nasenkanüle regelmäßig. Ermitteln Sie zusammen mit Ihrem Gerätehändler oder Arzt, wie häufig die Kanüle erneuert werden sollte.
- Verwenden Sie NICHT die selbe Kanüle für mehrere Patienten.

**WARNUNG!****Verletzungsrisiko**

Eine Veränderung der Höhe über dem Meeresspiegel kann die Gesamtmenge des Ihnen zur Verfügung stehenden Sauerstoffs beeinflussen. So verhindern Sie Sauerstoffmangel:

- Konsultieren Sie Ihren Arzt, bevor Sie in höher- oder tieferliegende Gebiete reisen, um festzustellen, ob die Durchflussmenge angepasst werden muss.

**WARNUNG!****Gefahr von Verletzungen oder Sachschäden**

So verhindern Sie Verletzungen oder Sachschäden durch Missbrauch des Kabels:

- Der Konzentrator DARF NICHT durch Ziehen am Netzkabel bewegt oder verschoben werden.
- Verwenden Sie KEINE Verlängerungskabel mit den mitgelieferten Wechselstrom-Netzteilen.
- Verstauen und verlegen Sie die elektrischen Kabel und/oder Schläuche ordnungsgemäß, um mögliche Stolperfallen zu vermeiden.

**WARNUNG!****Gefahr von Verletzungen oder Sachschäden**

So verhindern Sie Verletzungen oder Sachschäden durch Missbrauch:

- Lassen Sie den Konzentrator NIE unbeaufsichtigt, wenn er am Stromnetz angeschlossen ist.
- Achten Sie darauf, dass der Konzentrator ausgeschaltet ist, wenn er nicht verwendet wird.
- Der Konzentrator DARF im Freien NUR über den internen Akku oder einen zusätzlichen Akkupack betrieben werden.

**WARNUNG!****Gefahr von Verletzungen oder Sachschäden**

Invacare Sauerstoffkonzentratoren wurden speziell daraufhin konstruiert, den vorbeugenden Routinewartungsbedarf zu minimieren. So verhindern Sie Verletzungen oder Sachschäden:

- Nur medizinisches Fachpersonal oder Personen, die vollständig mit dieser Anwendung vertraut sind, z.B. vom Hersteller ausgebildetes Personal, sollten vorbeugende Wartungsarbeiten oder Leistungseinstellungen am Sauerstoffkonzentrator vornehmen. Ausgenommen davon sind Maßnahmen, die in diesem Handbuch beschrieben werden.
- Wenden Sie sich zur Wartung an Invacare oder Ihren Händler.



VORSICHT!

Gefahr von Sachschäden

So verhindern Sie Sachschäden durch Flüssigkeitseintritt:

- Wenn der Konzentrator nicht ordnungsgemäß funktioniert, wenn er heruntergefallen oder ins Wasser gefallen ist oder beschädigt wurde, benachrichtigen Sie den Gerätehändler oder einen qualifizierten Techniker, um eine Überprüfung und ggf. eine Reparatur durchführen zu lassen.
- VERMEIDEN Sie das Eindringen oder Einführen jedweder Gegenstände oder Flüssigkeiten in die Öffnungen des Geräts.
- Invacare rät davon ab, den Konzentrator im Regen zu verwenden.

2.3 Hochfrequenzstörungen



WARNUNG!

Verletzungsrisiko oder Gefahr von Sachschäden

Zur Verringerung von Verletzungsrisiko und Produktbeschädigungen durch Störungen bei drahtlosen Geräten:

- Stellen Sie den Konzentrator in mindestens 3 m (9,8 Fuß) Entfernung von drahtlosen Kommunikationsgeräten wie drahtlosen Heimnetzwerkgeräten, Mobiltelefonen, schnurlosen Telefonen und Basisstationen, Handfunkgeräten usw. auf.

Dieses Gerät wurde getestet und erfüllt die in IEC/EN 60601-1-2 angegebenen EMV-Grenzwerte. Diese Grenzwerte sind so gewählt, dass ein ausreichender Schutz gegen elektromagnetische

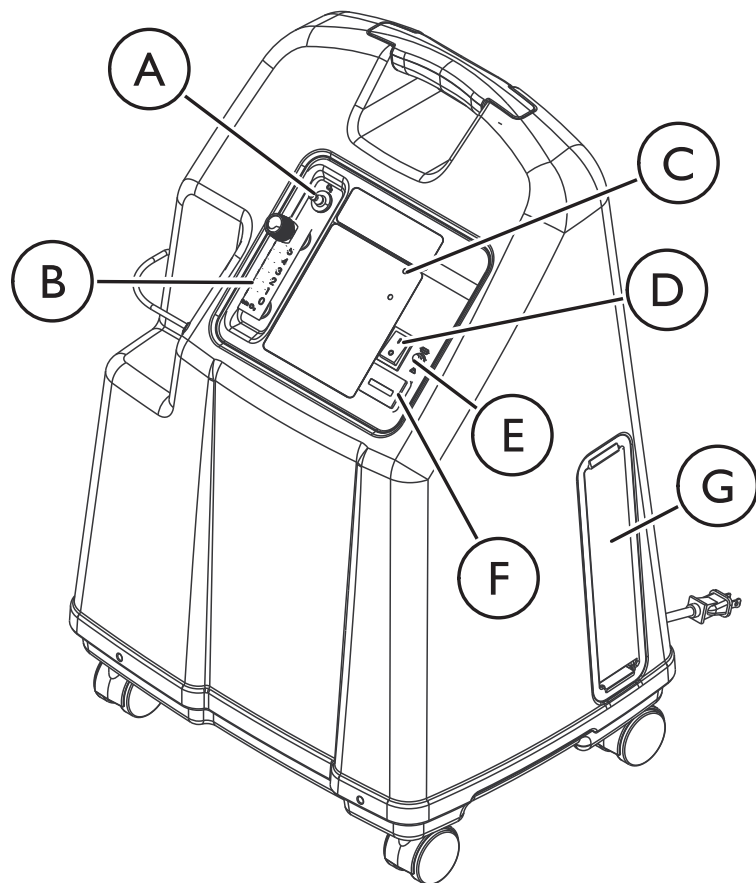
Interferenzen in einer typischen medizinischen Einrichtung gegeben ist.

An anderen Apparaten kann es unter Umständen auch bei elektromagnetischer Strahlung, die den niedrigen Werten der oben genannten Normen entspricht, zu Interferenzen kommen. Schalten Sie den Konzentrator aus, um zu ermitteln, ob die Emissionen des Konzentrators für die Störung verantwortlich sind. Sollten die Störung an dem/den anderen Apparat(en) aufhören, so verursacht der diese Störung. In derartigen, seltenen Fällen können die Störungen mit einer der folgenden Maßnahmen abgeschwächt oder behoben werden:

- Durch Umstellen, Versetzen oder Vergrößern des Abstands zu dem Gerät.
- Durch Anschließen des Geräts an eine Steckdose in einem anderen Stromkreis als der, an den der andere Apparat/die anderen Apparate angeschlossen sind.

3 Aufbau und Funktion

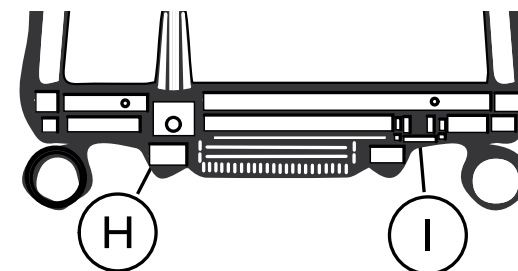
3.1 Identifizierung der Komponenten



Ⓐ	Sauerstoffausgang
Ⓑ	Durchflussmesser
Ⓒ	Sauerstoffreinheits- und Störungsanzeige Störungs- und Netzanzeige

Ⓓ	Netzschalter
Ⓔ	Stromunterbrecher
Ⓕ	Betriebsstundenzähler
Ⓖ	Gehäusefilter

Rückansicht



Ⓕ	Netzkabel
Ⓖ	HomeFill-Auslassstutzen

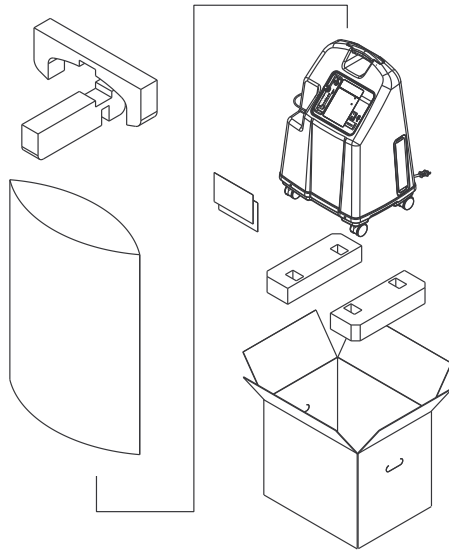


ZUBEHÖR (OHNE ABBILDUNG): HomeFill Füllstation
- IOH200AW

Der HomeFill-Auslassstutzen ① darf ausschließlich zur Befüllung der Sauerstoffzylinder mit dem HomeFill-Sauerstoffkompressor für den Heimgebrauch verwendet werden. Der Auslassstutzen hat keine Auswirkungen auf die Leistung des Konzentrators. Informationen zum Anschluss und zum Betrieb finden Sie in der HomeFill-Gebrauchsanweisung. Wenn der Konzentrator nicht verwendet wird, sollte der Auslassstutzen mit dem mitgelieferten Stöpsel verschlossen werden. Für weitere Informationen zum HomeFill-Konzentrator wenden Sie sich bitte an Ihren Invacare-Händler.

4 Inbetriebnahme

4.1 Auspacken



1. Überprüfen, ob der Karton oder sein Inhalt offensichtliche Schäden aufweist. Wenn Schäden offenkundig sind, den Spediteur oder Invacare benachrichtigen.
2. Das gesamte lose Verpackungsmaterial vom Karton entfernen.
3. Alle Einzelteile vorsichtig aus dem Karton herausnehmen.

i Falls der Sauerstoffkonzentrator nicht **SOFORT** eingesetzt werden soll, belassen Sie ihn zur Lagerung in seiner Verpackung, bis er benötigt wird.

4.2 Überprüfung

1. Den Konzentrator und das Zubehör auf Kerben, Dellen, Risse, Kratzer oder anderweitige Beschädigungen untersuchen.
2. Alle Teile prüfen.

4.3 Lagerung

1. Den wieder verpackten Sauerstoffkonzentrator in einem trockenen Bereich lagern. Informationen zur Lagerungstemperatur finden Sie in den typischen Produktparametern.
2. **KEINE** anderen Gegenstände auf die Oberseite des wieder verpackten Konzentrators legen.

5 Verwenden

5.1 Einführung

Ihr Sauerstoffkonzentrator ist zur persönlichen Verwendung in Innenbereichen vorgesehen. Er ist ein elektronisch betriebenes Gerät, das Sauerstoff von der Raumluft trennt. Dieses Gerät liefert über eine Nasenkanüle hohe Konzentrationen von Sauerstoff direkt an den Benutzer. Klinische Studien haben dokumentiert, dass Sauerstoffkonzentratoren mit anderen Sauerstoffzuführungssystemen therapeutisch vergleichbar sind.

Der Händler wird Sie in die Verwendung des Sauerstoffkonzentrators einweisen. Sie sollten sich bei Fragen oder Problemen hinsichtlich des Sauerstoffkonzentrators an Ihren Händler wenden. Dieses Benutzerhandbuch enthält Informationen über den Konzentrator und sollte bei Bedarf zu Rate gezogen werden.

5.2 Standortwahl



WARNUNG!

Gefahr von Verletzungen oder Sachschäden

Zur Vermeidung von Verletzungen und Sachschäden durch in der Luft befindlicher Verunreinigungen und/oder Dämpfe und für eine optimale Leistung:

- Stellen Sie den Konzentrator in einem gut belüfteten Raum auf, sodass der Lufteinlass und die Luftaustritte nicht behindert werden.
- Blockieren Sie NIEMALS die Luftöffnungen des Konzentrators oder stellen Sie das Gerät auf eine weiche Oberfläche, wie zum Beispiel ein Bett oder ein Sofa, wo die Luftöffnungen blockiert werden können.
- Die Öffnungen frei von Fusseln, Haaren und Ähnlichem halten.
- Stellen Sie den Konzentrator mindestens 30,5 cm von Wänden, Vorhängen und Möbeln auf.
- Vermeiden Sie Umgebungen mit Verunreinigungen, Rauch oder Gasen, entzündlichen Narkosemitteln, Reinigungsmitteln oder chemischen Dämpfen.
- Stellen Sie den Konzentrator in einem gut belüfteten Bereich auf, um in der Luft befindliche Verunreinigungen und/oder Dämpfe zu vermeiden.
- Verwenden Sie das Gerät NICHT in Einbau- oder Wandschränken.



WARNUNG!
Verletzungsrisiko

So verhindern Sie Verletzungen während der Therapie:

- Der Sauerstoffkonzentrator MUSS zur Verwendung auf einer ebenen Oberfläche platziert werden.
- Bewegen Sie den Sauerstoffkonzentrator während der Verwendung KEINESFALLS.

Einen Raum auswählen, der sich am besten für die Verwendung des Sauerstoffkonzentrators eignet. Der Konzentrator kann auf seinen Rollen problemlos von Zimmer zu Zimmer gerollt werden.

Ihr Sauerstoffkonzentrator funktioniert dann am besten, wenn er unter den in der nachstehenden Tabelle beschriebenen Bedingungen betrieben wird.


Andernfalls kann eine erhöhte Wartung des Geräts erforderlich sein. Der Lufteintritt des Geräts sollte sich in einem gut belüfteten Bereich von Luftverschmutzung und/oder Dämpfen entfernt befinden.

Empfohlene Richtlinien für optimale Leistung

Temperatur:	10 °C – 35 °C
Elektrik:	Keine Verlängerungskabel verwendbar.
Standort:	Mindestabstand von 30,5 cm (12 in) von Wänden, Möbeln, Vorhängen oder ähnlichen Oberflächen.

Schlauch und Kanüle:	IRC5LXAW, IRC5LXO2AW, IRC5LXO2AWQ 2,1 m Kanüle mit einem maximal 15,2 m langen stauchfesten Schlauch (NICHT QUETSCHEN)
	IRC9LXO2AWQ Die Verwendung von High-Flow-Schlauchmaterial mit bis zu 15 Metern Länge mit High-Flow-Kanüle bei allen Flussraten wird empfohlen.
Umgebung:	Rauch- und rußfrei. Keine beengten Räume (Beispiel: KEINE Kammern, Wandschränke).
Relative Luftfeuchtigkeit:	20 bis 60 %
Betriebszeit:	Bis zu 24 Stunden pro Tag.
Flussrate	IRC5LXAW, IRC5LXO2AW, IRC5LXO2AWQ Von 0,5 l/min. bis zu 5 l/min. Durchflussraten von weniger als 1 l/min. werden nicht empfohlen.

	<p>IRC9LXO2AWQ</p> <p>1 l/min bis 9 l/min Flussraten von unter 1 l/min werden nicht empfohlen.</p>
Minimale Betriebszeit:	30 Minuten

 Dafür sorgen, dass der Konzentrator mindestens 30,5 cm (12 in) von Wänden, Vorhängen oder Möbeln entfernt ist, um einen ausreichenden Luftstrom zu gewährleisten. Tiefe Florteppiche und Heizgeräte, Heizkörper oder Heizlüfter vermeiden.

5.3 Einrichten des Befeuchters

1. Das Netzkabel in eine Steckdose stecken.
2. Anschluss des Befeuchters.

5.3.1 Einrichten des Befeuchters



WARNUNG!

Gefahr von Verletzungen oder Sachschäden

So verhindern Sie Verbrennungen durch Dampf oder heißes Wasser, das Einatmen von Wasser oder eine Beschädigung des Konzentrators durch Wasser:

- Die Befeuchterflasche NICHT mit heißem Wasser befüllen. Das abgekochte Wasser vor dem Einfüllen auf Zimmertemperatur abkühlen lassen.
- Befeuchter NICHT überfüllen.
- Den Deckel der Befeuchterflasche wieder anbringen und fest verschließen. Darauf achten, dass der Deckel nicht schief auf die Befeuchterflasche aufgeschraubt wird.
- NICHT die Ein- und Ausgangsverbindungen für den Sauerstoff vertauschen. Wasser fließt aus der Befeuchterflasche durch die Kanüle zum Patienten, falls die Ein- und Ausgangsverbindungen vertauscht werden.
- Bei Verwendung von Schlauchverbindungen mit einer Länge von mehr als 2,1 Metern (7 ft) den Befeuchter möglichst nah beim Patienten positionieren, um eine maximale Befeuchtungsleistung zu erzielen.



WARNUNG!

Gefahr von Verletzungen oder Sachschäden

Wenn die Befeuchterflasche oder anderes Zubehör nicht korrekt am Konzentrator angebracht werden, hat dies Auswirkungen auf den Sauerstoffstrom.

- Um den Sauerstoffkonzentrator und das Zubehör auf ordnungsgemäße Funktion zu überprüfen, das Ende der Nasenkanüle in eine halb mit Wasser gefüllte Tasse halten und auf Bläschen achten.
- Sind keine Bläschen zu beobachten, müssen alle Anschlüsse (einschließlich Befeuchterflasche und sonstigen Zubehörs) überprüft und die Prüfung wiederholt werden. Umgehend den Händler oder den Kundendienst kontaktieren, falls auch weiterhin keine Bläschen auftreten.

Befüllen von Befeuchterflasche Ⓐ



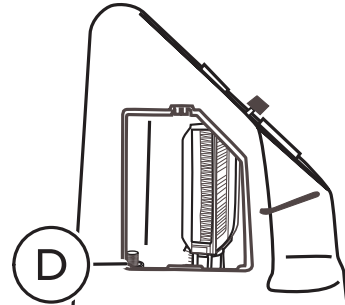
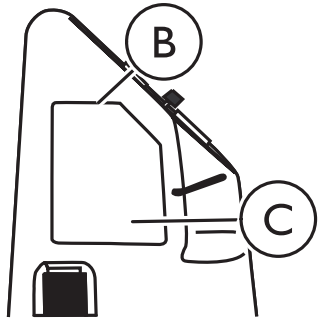
1. Den Deckel von der Flasche abschrauben.
2. Die Befeuchterflasche Ⓐ bis zu der vom Hersteller angegebenen Markierung mit abgekochtem Leitungswasser oder abgefülltem Wasser füllen. Das Leitungswasser ca. 10 Minuten lang kochen und vor Verwendung auf Raumtemperatur abkühlen lassen.



VORSICHT!

Gefahr von Sachschäden

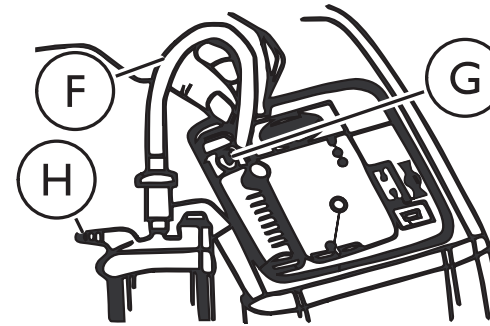
- Darauf achten, dass der Deckel nicht schief auf die Befeuchterflasche aufgeschraubt wird.



3. Einen Schlitzschraubendreher in die Nut **B** an der Oberkante des Zugangs zum Filter **C** einführen und den Deckel aufhebeln.



4. Den Adapter **D** (neben dem Einlassfilter) der Befeuchterflasche nach oben ziehen und herausnehmen.



WARNUNG!

Verletzungsrisiko

So vermeiden Sie eine Beeinträchtigung des Sauerstoffstroms:

- Die Befeuchterflasche bzw. sonstiges Zubehör korrekt anbringen.

5. Am Befeuchter anbringen, indem die Flügelmutter an der Befeuchterflasche gegen den Uhrzeigersinn gedreht wird, bis der Adapter fest sitzt.
6. Beim Einsetzen der Befeuchterflasche/-adaptereinheit ins Befeuchterfach **E** im Konzentrator den Schlauch der Befeuchterflasche/-adaptereinheit **F** an den Sauerstoffauslassverbinder **G** am Konzentrator anschließen.

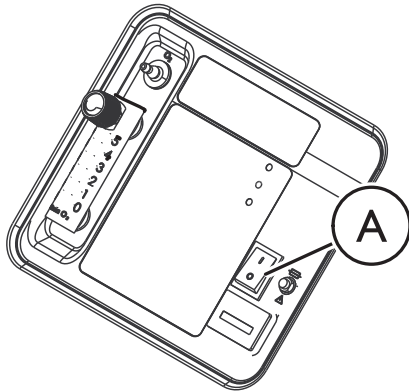


Bei Verwendung von Schlauchverbindungen mit einer Länge von mehr als 2,1 (7 ft) Metern den Befeuchter möglichst nah beim Patienten positionieren, um eine maximale Befeuchtungsleistung zu erzielen.


7. Den an der Nasenkanüle angeschlossenen Patientenversorgungsschlauch am Auslass der Befeuchterflasche **H** anbringen.

8. Nach der Montage sicherstellen, dass Sauerstoff durch die Kanüle fließt.
9. Die Filterzugangstür wieder am Seitenteil des Konzentrators anbringen, indem die Tür unten angesetzt und vorsichtig in die Plattenrinne gedrückt wird.

5.3.2 Einschalten des Konzentrators



1. Den Netzschalter **A** in die Position „Ein“ schalten.

 Alle Leuchten am Bedienfeld und der akustische Alarm reagieren eine Sekunde lang, was anzeigt, dass das Gerät ordnungsgemäß funktioniert.

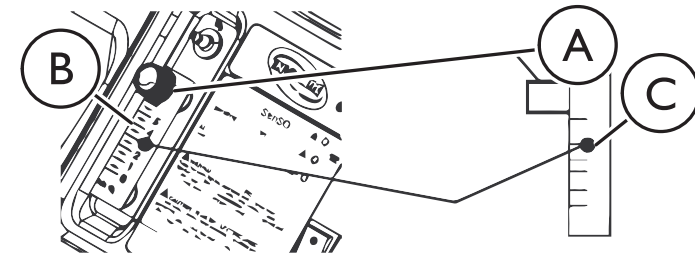
5.3.3 Flussrate




WARNUNG! **Verletzungsrisiko**

So beugen Sie Verletzungen durch zu viel bzw. zu wenig Sauerstoff vor:

- Die Einstellung „l/min“ auf dem Flussmesser NUR DANN ändern, wenn vom Arzt oder Therapeuten eine Veränderung verordnet wurde.
- Die Durchflussmenge MAXIMAL auf 9 l/m einstellen.



1. Den Knopf **A** für die Flussrate bis zu der vom Arzt oder Therapeuten verschriebenen Einstellung drehen.

 Zunächst die Linie der vorgeschriebenen Flussrate auf dem Flussmesser **B** ermitteln. Danach den Knopf für die Flussrate drehen, bis sich die Kugel auf Höhe der entsprechenden Linie befindet. Die Kugel **C** nun auf der verschriebenen Linie (l/min) zentrieren.

2. Wenn die vom Flussmesser gemessene Flussrate für mehr als eine Minute unter 0,5 l/min fällt, wird der Alarm bei potenzieller Obstruktion ausgelöst. Dabei erklingt der akustische Alarm in schneller Folge. Leitungen und Zubehör auf blockierte oder geknickte Schläuche oder eine defekte Befeuchterflasche prüfen. Nachdem der Nennfluss wieder auf einen Wert zwischen 0,5 l/min und 0,75 l/min gebracht wurde, schaltet sich der Alarm bei potenzieller Obstruktion aus.



Der bei einer potenziellen Obstruktion ausgegebene Alarm weist auf eine Bedingung hin, die mit einer vollständigen oder teilweisen Obstruktion des abgegebenen Sauerstoffs in Verbindung gebracht werden kann.

Bei Verwendung von bestimmtem Zubehör, beispielsweise dem pädiatrischen Flussmesser PreciseRx™ und dem HomeFill-Kompressor, wird der Alarm bei potenzieller Obstruktion deaktiviert.

5.3.4 SensO₂ Sauerstoffreinheitsanzeigen

Mit dieser Funktion wird die Reinheit des durch den Sauerstoffkonzentrator erzeugten Sauerstoffs überwacht. Wenn die Reinheit unter die vom Hersteller eingestellten Werte fällt, leuchten die Anzeigen auf dem Bedienfeld entsprechend auf.

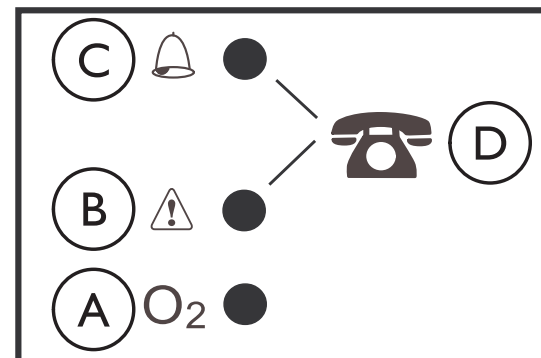
Inbetriebnahme des Konzentrators






Der Konzentrator kann in der Anlaufzeit (ungefähr 30 min.) benutzt werden, während die O₂-Reinheit ihren Maximalwert erreicht.

Wenn das Gerät eingeschaltet wird, leuchtet die GRÜNE Anzeige (SYSTEM IN ORDNUNG/O₂ höher als 85 %) auf. Nach 5 Minuten arbeitet der Sauerstoffsensor normal und steuert die Anzeigeleuchten in Abhängigkeit von den Sauerstoffkonzentrationswerten.

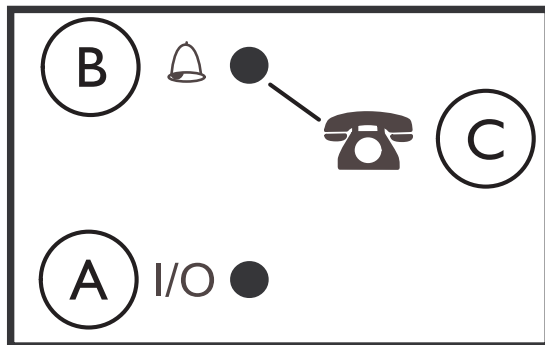
Erklärung der Sauerstoffreinheitsanzeigen





	Symbol	O ₂ -Reinheit	Anzeigelampen (LED)	Erläuterung
Ⓐ	O ₂	SYSTEM IN ORDNUNG O ₂ über 85 %	GRÜNES Lämpchen	Es ist keine Aktion erforderlich. Normale betriebsbereit. (Ändern Sie den Normalbetrieb.)
Ⓑ		O ₂ zwischen 73 % und 85 %	GELBES Lämpchen (leuchtet dauerhaft)	Kontaktieren Sie sofort den Händler. Der Konzentrator kann weiterhin verwendet werden, sofern Sie keine andere Weisung vom Händler erhalten. Stellen Sie sicher, dass eine Sauerstoffreserve griffbereit ist.
			GELBES Lämpchen (blinkt)	

	Symbol	O ₂ -Reinheit	Anzeigelampen (LED)	Erläuterung
Ⓒ		SYSTEM-AUSFALL O ₂ unter 73 %	ROTES Lämpchen (leuchtet dauerhaft)	Kontinuierlicher akustischer Alarm Sieve-GARD™ Kompressor-Stillstand SYSTEM-AUSFALL. Komplette Abschaltung des Geräts.. Schalten Sie umgehend auf die Sauerstoffreserve um und kontaktieren Sie den Händler.
Ⓓ		—	—	Händler anrufen!

5.3.5 Einheiten ohne SensO₂



i Der Konzentrator kann während der Aufwärmphase (ca. 30 Minuten) der Inbetriebnahme verwendet werden. Die O₂-Reinheit erreicht in dieser Phase ein Maximum.

	Licht	Symbol	Erläuterung
(A)	GRÜNES Lämpchen	I/O	Normalbetrieb
(B)	ROTES Lämpchen		Kontinuierlicher akustischer Alarm Sieve-GARD™ Kompressor-Stillstand Komplette Abschaltung des Geräts. Schalten Sie umgehend auf die Sauerstoffreserve um und kontaktieren Sie den Händler.
(C)	—		Händler anrufen!

5.4 Alarmsystem bei Stromausfall

Das Alarmsystem hat keine Batterie und benötigt daher keine Wartung. Das Alarmsystem wird von einem Kondensator angetrieben, der dauernd aufgeladen wird und im Falle eines Stromausfalls den Alarm auslöst.

6 Wartung

6.1 Reinigung des Gehäuses



GEFAHR!

Gefahr von Verletzungen oder Sachschäden

Invacare Sauerstoffkonzentratoren wurden speziell daraufhin konstruiert, den vorbeugenden Routinewartungsbedarf zu minimieren. So verhindern Sie Verletzungen oder Sachschäden:

- Die vorbeugende Wartung am Sauerstoffkonzentrator darf nur von dafür qualifiziertem Personal durchgeführt werden.
- Das Gehäuse darf NICHT entfernt werden.



GEFAHR!

Gefahr von Verletzungen oder Sachschäden

Flüssigkeiten beschädigen die internen Bauteile des Konzentrators. So verhindern Sie Sachschäden oder Verletzungen aufgrund von Stromschlägen:

- Schalten Sie vor dem Reinigen den Konzentrator aus und ziehen Sie den Netzstecker.
- Lassen Sie KEIN Reinigungsmittel in die Luftein- oder -auslassöffnungen tropfen.
- Besprühen oder benetzen Sie das Gehäuse NICHT direkt mit Reinigungsmitteln.
- Reinigen Sie das Gerät NICHT unter dem Wasserstrahl.



VORSICHT!

Gefahr von Sachschäden

Starke chemische Mittel können den Konzentrator beschädigen. So vermeiden Sie Sachschäden:

- Reinigen Sie das Gehäuse, die Tragetasche oder den Filter NICHT mit Alkohol oder Produkten auf Alkoholbasis (Isopropylalkohol), konzentrierten chlorhaltigen Produkten (Ethylenchlorid), ölhaltigen Produkten (Pine-Sol[®], Lestoil[®]) oder anderen aggressiven chemischen Reinigungsmitteln. Verwenden Sie ausschließlich mildes Geschirrspülmittel (wie z.B. Dawn[™]).



Die vorbeugende Wartung MUSS mindestens den Wartungsrichtlinien entsprechend durchgeführt werden. In einer Umgebung mit viel Staub und Ruß können Wartungsarbeiten u. U. öfter erforderlich sein. Weitere Informationen entnehmen Sie bitte dem Wartungsplan.

Reinigen Sie den Konzentrator regelmäßig wie folgt:

1. Einen feuchten Lappen oder Schwamm mit einem milden Reinigungsmittel verwenden, wie etwa ein handelsübliches Geschirrspülmittel Dawn[™], um das äußere Gehäuse vorsichtig zu reinigen.
2. Das Gerät trocknen lassen oder ein trockenes Handtuch verwenden, bevor das Gerät wieder eingeschaltet wird.

6.2 Reinigung der Gehäusefilter



VORSICHT!

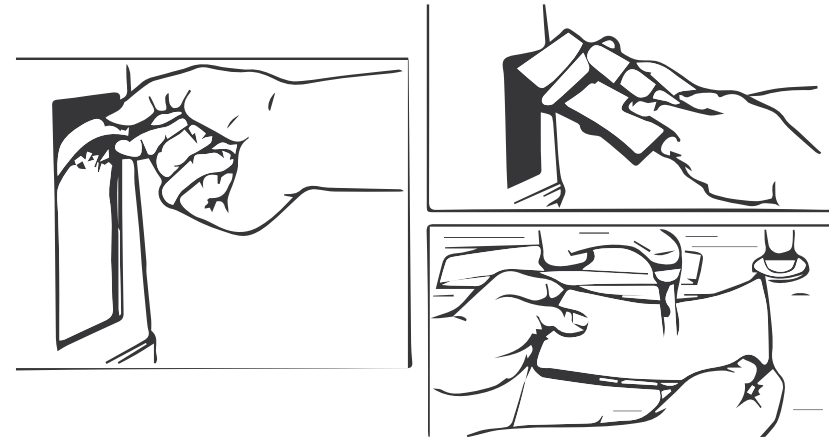
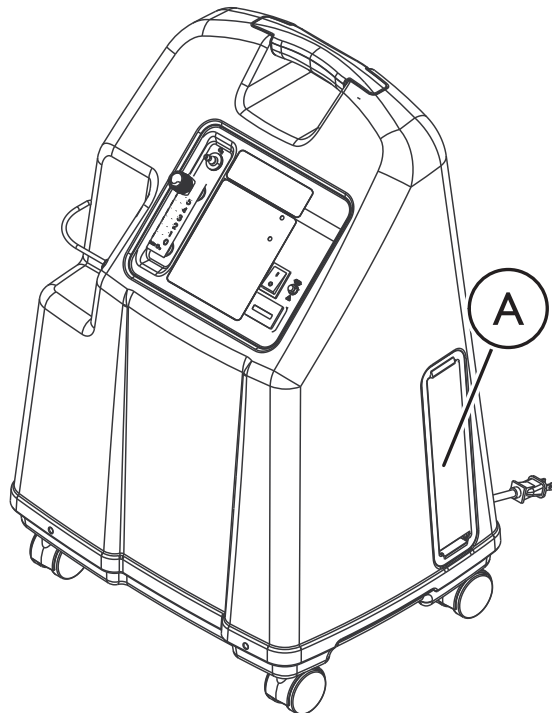
Gefahr von Sachschäden

So verhindern Sie Beschädigungen durch Verstopfungen:

- Betreiben Sie den Konzentrator NICHT ohne installierten Lufteinlassfilter.



Auf jeder Seite des Gehäuses befindet sich ein Gehäusefilter.




1. Ersetzen Sie den Filter  oder reinigen Sie ihn nach Bedarf.




Umgebungsbedingungen, die eine häufigere Reinigung der Filter erforderlich machen können, umfassen u. a.: hohes Staubaufkommen, Rauchen, Luftverschmutzung etc.

2. Reinigen Sie das Gehäuse -Filter mit einem Staubsauger oder waschen mit einem milden Geschirrspülmittel (wie Dawn™) und Wasser. Gründlich ausspülen.
3. Den Filter gründlich trocknen und auf Abnutzungen, spröde Stellen, Risse und Löcher untersuchen. Den Filter ersetzen, wenn eine Beschädigung entdeckt wird.
4. Den Gehäusefilter wieder einsetzen.

6.3 Reinigung und thermische Desinfektion des Befeuchters

 Den Befeuchter jeden Tag reinigen und desinfizieren, um Kalkablagerungen zu verringern und eine mögliche bakterielle Kontamination zu verhindern. Befolgen Sie die Anweisungen des Herstellers. Falls keine Anweisungen vorliegen, befolgen Sie diese Schritte:

1. Den Befeuchter mit Seifenwasser waschen und mit einer Lösung aus zehn Teilen Wasser und einem Teil Essig ausspülen.
2. Gründlich mit heißem Wasser ausspülen.
3. An der Luft vollständig trocknen lassen.

 Um der Vermehrung von Bakterien vorzubeugen, den Befeuchter nach der Reinigung vollständig an der Luft trocknen lassen, wenn das Gerät nicht verwendet wird. Informationen zur Verwendung finden Sie in den Informationen zur Einrichtung.

6.4 Reinigung und Desinfektion bei Patientenwechsel



WARNUNG!

Gefahr von Verletzungen oder Sachschäden

So verhindern Sie Verletzungen durch Infektionen oder eine Beschädigung des Konzentrators:

- Die Reinigung und Desinfektion des Sauerstoffkonzentrators und des Zubehörs vor der Verwendung durch einen anderen Patienten darf ausschließlich von qualifiziertem Personal durchgeführt werden.



Befolgen Sie diese Anweisungen, um zu verhindern, dass aufgrund von kontaminierten Komponenten oder Zubehörteilen Krankheitserreger übertragen werden. Wenn erforderlich, sollte zu diesem Zeitpunkt auch eine vorbeugende Wartung durchgeführt werden.

1. Das gesamte für den Patienten verwendete Zubehör, das nicht für die Mehrfachverwendung geeignet ist, entsorgen und ersetzen:
 - Nasenkanüle und Schläuche
 - Maske
 - Befeuchter
2. Die in diesem Handbuch beschriebenen Wartungsverfahren durchführen und die Punkte auf der Checkliste zur vorbeugenden Wartung abarbeiten.
3. Überprüfen, ob der Konzentrator äußerliche Schäden aufweist oder etwas darauf hinweist, dass eine Wartung oder Reparatur erforderlich ist.
4. Sicherstellen, dass der Konzentrator ordnungsgemäß funktioniert und alle Alarme funktionsfähig sind.
5. Vor dem erneuten Verpacken und der Weitergabe an einen anderen Patienten sicherstellen, dass das Paket den Konzentrator, das Netzkabel, die Lufthaube, die Montageanleitung, den Befeuchter, die Kanüle, die Etiketten und die Gebrauchsanweisung enthält.

6.5 Checkliste zur vorbeugenden Wartung

Modell Nr:

Seriennr:

BEI JEDER INSPEKTION							
Datum der Wartung notieren							
Betriebsstunden protokollieren							
Reinigung der Gehäusefilter (siehe hierzu „Reinigen der Gehäusefilter“)							
Verschriebene Flussrate (l/min) prüfen							
WÄHREND DER VORBEUGENDEN WARTUNG ODER ZWISCHEN PATIENTEN							
EINHEITEN OHNE SensO₂ – Alle sechs Monate bei ununterbrochenem Betrieb (entspricht 4380 Stunden)							
Überprüfung der Sauerstoffkonzentration (grüne Kontrollleuchte)							
Reinigung/Austausch der Gehäusefilter (siehe hierzu „Reinigen der Gehäusefilter“)							
Reinigung/Austausch des HEPA-Auslassfilters*							
Reinigung/Austausch des Kompressor-Einlassfilters*							
Netzausfall-Alarm prüfen*							
EINHEITEN MIT SensO₂ – Alle drei Jahre bei ununterbrochenem Betrieb (entspricht 26.280 Stunden)							
Überprüfung der Sauerstoffkonzentration (grüne Kontrollleuchte)							
Reinigung/Austausch der Gehäusefilter (siehe hierzu „Reinigen der Gehäusefilter“)							
Reinigung/Austausch des HEPA-Auslassfilters*							
Reinigung/Austausch des Kompressor-Einlassfilters*							
Netzausfall-Alarm prüfen*							
*Durchzuführen vom Bereitsteller oder qualifizierten Servicetechniker. Weiter Informationen entnehmen Sie bitte dem Servicehandbuch.							

7 Nach dem Gebrauch

7.1 Hinweise zum Recycling

Dieses Produkt stammt von einem umweltbewussten Hersteller, der die Kriterien der Richtlinie über Elektro- und Elektronik-Altgeräte (WEEE) 2012/19/EU erfüllt. Das Produkt enthält Substanzen, die Umwelt schädigen können, wenn sie nicht in Übereinstimmung mit der nationalen Gesetzgebung entsorgt werden.

Befolgen Sie die geltenden lokalen Bestimmungen und Recyclingvorschriften in Bezug auf die Entsorgung des Konzentrators bzw. der regulär verwendeten Komponenten. Während des Gebrauchs entstehen durch den Konzentrator keine Abfälle oder Rückstände.

- Den Konzentrator NICHT über den Hausmüll entsorgen.
- Die Entsorgung von Zubehörteilen, die nicht Bestandteil dieses Konzentrators sind, MUSS entsprechend der jeweiligen Entsorgungskennzeichnung erfolgen.
- NICHT das interne oder das zusätzliche Akkupack entsorgen. Akkupacks sollten an Ihren Händler oder Lieferanten zurückgegeben werden.

Invacare® setzt sich kontinuierlich dafür ein, die Umwelt durch seine Unternehmenstätigkeit sowohl direkt vor Ort als auch weltweit möglichst wenig zu beeinträchtigen. Wir halten die aktuellen Umweltschutzbestimmungen (z. B. die Richtlinien über Elektro- und Elektronik-Altgeräte (WEEE) und die RoHS-Verordnung) ein. Wir verwenden ausschließlich REACH-konforme Materialien und Bauteile.

7.2 Verschleiß

Invacare behält sich das Recht vor, jede Komponente mit einem vermeintlichen Verarbeitungsfehler zurückzunehmen. Weitere

Informationen hierzu entnehmen Sie bitte der dem Produkt beiliegenden Garantie.

Informationen zu einem geeigneten Plan zur vorbeugenden Wartung und zur Verwendung des Produkts finden Sie in der Gebrauchsanweisung.

Hierbei handelt es sich lediglich um eine allgemeine Richtlinie, und durch Missbrauch und falsche Verwendung entstandene Schäden sind nicht enthalten.

Die Komponenten dieses Produkts, die normalem Verschleiß unterliegen, sind nachstehend aufgelistet.

- Alle Arten von Filtern
- Alle Arten von Schläuchen
- Alle Arten von Batterien, einschließlich Blei-/Lithiumbatterien, Knopfzellen (wie in Armbanduhren) und Gel-Batterien (sechs Monate)





Das Sieb ist ein poröses Filtermaterial und wird als Verschleißkomponente angesehen. Luftfeuchtigkeit, Temperatur, Feinstaub, verschmutzte Luft, angesaugte Luft, Vibrationen sowie andere Umweltbedingungen sind einige Faktoren, die sich auf die Lebensdauer des Siebs auswirken können.

8 Fehler erkennen und beheben

8.1 Fehler erkennen und beheben

SYMPTOM	MÖGLICHE URSACHE	LÖSUNG
<p>Alarm: Kurze Pieptöne, lange Pause Konzentrator funktioniert nicht, Netzschalter EIN. Piep.....Piep.....</p>	<p>Netzausfall:</p> <ol style="list-style-type: none"> 1. Netzkabel NICHT in Steckdose eingesteckt. 2. Kein Strom an der Steckdose. 3. Stromunterbrecher ausgelöst. 	<ol style="list-style-type: none"> 1. Kabel in die Steckdose stecken. 2. Die Sicherungen im Haus prüfen. Wenn das Problem erneut auftritt, eine andere Steckdose verwenden. 3. Den Leistungsschalter drücken/zurücksetzen. Bei Problemen den Kundendienst kontaktieren.
<p>Alarm: Dauerton Konzentrator funktioniert nicht, Netzschalter EIN. Piiiiiiiiiiiiiep....</p>	<p>Systemversagen:</p> <ol style="list-style-type: none"> 1. Überhitzung des Geräts wegen blockierten Lufteinlasses. 2. Ungenügende Spannung an der Steckdose. 3. Interne Reparaturen erforderlich. 	<ol style="list-style-type: none"> 1. <ol style="list-style-type: none"> a. Die Gehäusefilter herausnehmen und reinigen. b. Konzentratorabstand zu Wänden, Vorhängen und Möbeln auf mindestens 30, 5 cm erhöhen. 2. KEINE Verlängerungskabel verwenden. Andere Steckdose oder anderen Stromkreis verwenden. 3. Den Kundendienst anrufen.

SYMPTOM	MÖGLICHE URSACHE	LÖSUNG
<p>Alarm:</p> <p>GELBE oder ROTE Anzeige leuchtet.</p> <p>Alarm: Dauerhaft leuchtendes ROTES Lämpchen</p> <p> * Gilt nur für SensO₂ Modelle.</p>	<p>Netzausfall:</p> <ol style="list-style-type: none"> 1. Geringe Sauerstoffreinheit.* 2. Knick bzw. Blockierung in Schlauch, Kanüle oder Befeuchter.* 3. Flussmesser auf 0,5 l/min oder weniger eingestellt.* 4. Überhitzung des Geräts wegen blockierten Lufteinlasses. 5. Ungenügende Spannung an der Steckdose. 6. Interne Reparaturen erforderlich. 	<ol style="list-style-type: none"> 1. Die Filter reinigen oder auswechseln. 2. Auf Knicke oder Blockierungen untersuchen. Das entsprechende Teil korrigieren, reinigen oder ersetzen. Nach erfolgter Korrektur das Gerät 60 Sekunden lang AUSSCHALTEN und dann wieder EINSCHALTEN. 3. Überprüfen, ob der Durchflussmesser auf 1,0 l/m oder mehr eingestellt ist. Informationen hierzu finden Sie in den typischen Produktparametern. 4. <ol style="list-style-type: none"> a. Die Gehäusefilter herausnehmen und reinigen. b. Konzentratorabstand zu Wänden, Vorhängen und Möbeln auf mindestens 30,5 cm erhöhen. 5. KEINE Verlängerungskabel verwenden. Andere Steckdose oder anderen Stromkreis verwenden. 6. Den Kundendienst anrufen.
<p>GRÜNES Lämpchen mit blinkendem GELBEM Lämpchen.</p>	<ol style="list-style-type: none"> 1. Interne Reparaturen erforderlich. 	<ol style="list-style-type: none"> 1. Den Kundendienst anrufen.

SYMPTOM	MÖGLICHE URSACHE	LÖSUNG
<p>Alarm:</p> <p>SCHNELL Piep....Piep... Piep....Piep</p>	<p>Alarm wegen möglicher Behinderungen</p> <ol style="list-style-type: none"> 1. Mögliche interne Obstruktion im Sauerstoffpfad. Knick bzw. Blockierung in Schlauch, Kanüle oder Befeuchter. 2. Flussmesser auf 0,5 l/min oder weniger eingestellt. 	<ol style="list-style-type: none"> 1. Auf Knicke oder Blockierungen untersuchen. Das entsprechende Teil korrigieren, reinigen oder ersetzen. Nach erfolgter Korrektur das Gerät 60 Sekunden lang AUSSCHALTEN und dann wieder EINSCHALTEN. 2. Flussmesser auf die vorgeschriebene Flussrate zurücksetzen. Flussraten unter 1 l/min sind nicht empfehlenswert. <p> Bei Verwendung des pädiatrischen Flussmessers wird der Alarm bei potenzieller Obstruktion deaktiviert.</p>

9 Technische Daten

9.1 Typische produktparameter

Elektrische Anforderungen:	230 VAC + 10, -15% (253 VAC/195.5 VAC), 50 Hz
Nennstromaufnahme:	1,4 A (IRC5LXO2AWQ)
	2,0 A (IRC5LXAW, IRC5LXO2AW)
	2,3 A (IRC9LXO2AWQ)
Schallpegel:	39,5 dB Average
	44 dB Average (IRC5LXAW, IRC5LXO2AW)
	50 dB Average (IRC9LXO2AWQ)
Höhe:	Bis zu 1828 Meter über dem Meeresspiegel ohne Verminderung der Konzentrationsniveaus. NICHT ZUR VERWENDUNG OBERHALB VON 1828 METERN EMPFOHLEN Luftdruckbereich: 101,33–81,22 kPa
	IRC9LXO2AWQ - Bei bis zu 1230 Metern über Meereshöhe ohne Abfall der Konzentrationswerte. Luftdruckbereich: 101,33–88,0 kPa
*auerstoffleistung Konzentrationsniveaus: alle 5LXO2AWQ/5LXAW / 5LXO2AW/9LXO2AWQ modelle	IRC5LXAW, IRC5LXO2AW, IRC5LXO2AWQ 93 % Minimum bei 1 bis 3 l/min 91 % Minimum bei 4 l/min 87 % Minimum bei 5 l/min (Maximal zulässige Flussrate)

<p>i *Konzentration erreicht nach anfänglicher Aufwärmphase (ca. 30 Minuten)</p>	<p>IRC9LXO2AWQ 92% Minimum bei 1 bis 2 l/min 91% Minimum bei 8 l/min 87% Minimum bei 9 l/min 93% Minimum bei 3 bis 7 l/min</p>
<p>Maximaler Ausflussdruck:</p>	<p>IRC5LXAW, IRC5LXO2AW, IRC5LXO2AWQ 34,5 ± 3,45 kPa (5 ± 0,5 psi)</p>
<p>Durchflussbereich:</p>	<p>IRC9LXO2AWQ 62,0 kPa ± 3,45 kPa (9 ± 0,5 psi)</p>
<p>Alarm wegen möglicher Behinderungen:</p>	<p>IRC5LXAW, IRC5LXO2AW, IRC5LXO2AWQ 0,5 bis 5 l/min. Flussraten unter 1 l/min sind nicht empfehlenswert.</p>
<p>Durchschnittlicher Stromverbrauch:</p>	<p>IRC9LXO2AWQ 1 l/min bis 9 l/min Flussraten von unter 1 l/min werden nicht empfohlen.</p>
<p>Alarm wegen möglicher Behinderungen:</p>	<p>Der Konzentrator findet eine Bedingung, die auf eine potenzielle Obstruktion des ausgegebenen Sauerstoffs hinweisen könnte. Akustischer Alarm mit schnell aufeinander folgenden Tönen (dieser Alarm ist deaktiviert, wenn Zubehör angeschlossen wird). Kann mit einer Flusseinstellung von 0,5 l/min oder weniger verknüpft werden.</p>
<p>Durchschnittlicher Stromverbrauch:</p>	<p>IRC5LXO2AWQ 300 W 280 W @ 3 l/min.</p>
<p>Durchschnittlicher Stromverbrauch:</p>	<p>IRC5LXO2AW 365 W 340 W @ 3 l/min.</p>

	IRC5LXAW 380 W
	IRC9LXO2AWQ 475 W
Druckentlastung wirksam bei:	241 kPa \pm 24,1 kPa (35 psi \pm 3,5 psi)
Verringerung der maximal zulässigen Flussrate unter einem Gegendruck von 7 kPa:	0,7 l/min
Filter:	Gehäuse (2), Auslass-HEPA (Bakterien) und Kompressoreinlass.
Sicherheitssystem:	Überspannungs - oder Stromschutzabschaltung Abschaltung des Kompressors bei Überhitzung Hochdruck-Alarm mit Abschaltung des Kompressors Niederdruck-Alarm mit Abschaltung des Kompressors Batteriefreier Netzausfall-Alarm Alarm des SensO ₂ -Sauerstoffsystems bei potenzieller Obstruktion
Breite:	46,7 cm \pm 1 cm
Höhe:	67,0 cm \pm 1 cm
Tiefe:	36,5 cm \pm 1 cm
Gewicht:	IRC5LXAW, IRC5LXO2AW, IRC5LXO2AWQ 23,6 kg \pm 1 kg (52 lbs \pm 2 lbs)
	IRC9LXO2AWQ 24,0 kg \pm 1 kg (53 lbs \pm 2 lbs)

Versandgewicht:	IRC5LXAW, IRC5LXO2AW, IRC5LXO2AWQ 26,8 kg ± 1 kg (59 lbs ± 2 lbs)
	IRC9LXO2AWQ 27,2 kg ± 1 kg (60 lbs ± 2 lbs)
Umgebungstemperatur, Betrieb:	10 °C – 35 °C bei 20 – 60 % relativer Luftfeuchtigkeit
Gehäuse:	Schlagfestes, flammhemmendes Kunststoffgehäuse, das UL 94-V0 entspricht
Richtlinien und Vorschriften:	IRC5LXAW/IRC5LXO2AW/ IRC5LXO2AWQ/IRC9LXO2AWQ ETL geprüft als im Einklang mit: EN55011 EN61000-3-2 EN61000-3-3 IEC 60601-1, A1, A2 IEC 60601-1-2 IRC5LXO2AW, IRC5LXO2AWQ, IRC9LXO2AWQ nur Modell ISO8359 MDD
CE-Kennzeichnung Modell	IRC5LXO2AW, IRC5LXO2AWQ, IRC9LXO2AWQ
Elektrik:	Keine Verlängerungskabel verwendbar
Aufstellung:	Stellen Sie den Konzentrator mindestens 30,5 cm (12 in) von Wänden, Möbeln, Vorhängen oder Ähnlichem entfernt auf, um eine ausreichende Luftzirkulation zu gewährleisten. Meiden Sie hochflorige Teppichböden sowie Heizgeräte, Heizkörper oder Warmluftgitter. Nur auf dem Boden aufstellen. Nicht in geschlossenen Räumen (z. B.: nicht in Schränken).

Schlauch:	IRC5LXAW, IRC5LXO2AW, IRC5LXO2AWQ 2,1 m Kanüle mit einem maximal 15,2 m langen stauchfesten Schlauch (NICHT QUETSCHEN)
	IRC9LXO2AWQ Die Verwendung von High-Flow-Schlauchmaterial mit bis zu 15 Metern Länge mit High-Flow-Kanüle bei allen Flussraten wird empfohlen.
Relative Luftfeuchtigkeit:	20 bis 60 %
Betriebszeit:	Bis zu 24 Stunden pro Tag
Empfohlene Lager- und Versandtemperatur:	-29 °C bis 65 °C, bei 15 – 95 % relativer Luftfeuchtigkeit

Sommario

Il presente manuale deve essere fornito all'utilizzatore del prodotto. Leggere il presente manuale e conservarlo per eventuali consultazioni successive, PRIMA di utilizzare il prodotto.

I Generale	.142
1.1 Simbolos	.142
1.2 Uso previsto	.144
1.3 Descrizione	.144
1.4 Controindicazioni	.145
1.5 Accessori opzionali	.145
2 Sicurezza	.146
2.1 Posizione delle etichette	.146
2.2 Linee guida generali	.148
2.3 Interferenza di radiofrequenza	.151
3 Componenti	.152
3.1 Identificazione dei componenti	.152
4 Messa in servizio	.154
4.1 Disimballaggio	.154
4.2 Ispezione	.154
4.3 Conservazione	.154
5 Uso	.155
5.1 Introduzione	.155
5.2 Scelta di una ubicazione	.155
5.3 Installazione del concentratore	.157
5.3.1 Installazione dell'umidificatore	.157
5.3.2 Accensione del concentratore	.159
5.3.3 Velocità di flusso	.159
5.3.4 Indicatori di purezza dell'ossigeno SensO ₂	.160
5.3.5 Unità senza SensO ₂	.161

5.4 Sistema allarme interruzione alimentazione principale	.161
6 Manutenzione	.162
6.1 Pulizia dell'alloggiamento	.162
6.2 Pulizia del filtro dell'alloggiamento	.163
6.3 Pulizia e disinfezione termica dell'umidificatore	.164
6.4 Pulizia e disinfezione da un paziente all'altro	.164
6.5 Lista di controllo per la manutenzione preventiva	.165
7 Dopo l'utilizzo	.167
7.1 Informazioni per il riciclo	.167
7.2 Consumo e usura	.167
8 Risoluzione guasti	.168
8.1 Risoluzione guasti	.168
9 Dati tecnici	.170
9.1 Parametri tipici del prodotto	.170

I Generale

I.1 Simbolos

Le segnalazioni impiegate in questo manuale si riferiscono a situazioni o procedure pericolose che potrebbero causare lesioni personali o danni materiali. Per una definizione delle segnalazioni fare riferimento alla seguente tabella.



PERICOLO!

– Pericolo indica una situazione di pericolo imminente che, se non evitata, provoca il decesso o lesioni gravi.



ATTENZIONE!

– Avvertenza indica una situazione di potenziale pericolo che, se non evitata, potrebbe provocare il decesso o lesioni gravi.



AVVERTENZA!

– Attenzione indica una situazione di potenziale pericolo che, se non evitata, può provocare danni alle cose e/o lesioni non gravi.



Indica consigli utili, raccomandazioni e informazioni per un uso efficace e senza inconvenienti.

Simboli nella documentazione



Leggere il manuale



Non fumare



Vietato utilizzare fiamme libere



Classe II, doppio isolamento



Corrente alternata



Apparecchiatura di tipo BF



Riciclaggio



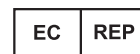
NON smaltire il prodotto come un normale rifiuto domestico



serio pericolo di tipo elettrico



Mantenere asciutto



Rappresentante CE



Produttore



Chiamare fornitore



**Questo prodotto è conforme alla direttiva 93/42/CEE relativa ai dispositivi medicali.

La data di lancio di questo prodotto è indicata nella dichiarazione di conformità CE.

Per maggiori informazioni sui marchi CE, fare riferimento a Parametri tipici del prodotto.

Simboli sul prodotto



In funzione



Non in funzione

Indicatori O₂

Simboli	Purezza O ₂	Spie luminose (LED)
O ₂	SISTEMA OK O ₂ superiore a 85%	Spia luminosa VERDE

	O ₂ tra 73% e 85%	Spia luminosa GIALLA A. Giallo fisso B. Giallo lampeggiante Errore sensore Contattare un tecnico qualificato
	ERRORE SISTEMA O ₂ inferiore a 73%	Spia ROSSA Fare riferimento a Guida alla soluzione dei problemi.

Indicatori LX

Simboli	Purezza O ₂	Spie luminose (LED)
I/O	SISTEMA OK	Spia luminosa VERDE
	ERRORE SISTEMA	Spia ROSSA Allarme sonoro continuo Compressore Sieve-GARD™ Arresto Contattare un tecnico qualificato

1.2 Uso previsto

Il concentratore di ossigeno è stato progettato per uso individuale da parte dei pazienti con malattie respiratorie che necessitano di ossigeno supplementare. Il dispositivo non va considerato come un supporto o un sostegno vitale.



PERICOLO!

Rischio di lesioni o morte

Il prodotto non deve essere usato come integrazione d'ossigeno e non va considerato come un dispositivo di supporto o di sostegno vitale. Usare il prodotto **SOLTANTO** se il paziente è in grado di respirare spontaneamente, di inspirare ed espirare senza l'uso della macchina.

- NON usare il prodotto in parallelo o in serie con altri concentratori di ossigeno o dispositivi per ossigenoterapie.



PERICOLO!

Rischio di lesioni o morte

A seconda della propria condizione medica, i pazienti con portate maggiori di 5 l/m possono essere più a rischio di lesioni gravi o decesso nel caso di guasto.

- Discutere **SEMPRE** di questo maggiore rischio con il proprio fornitore di prodotti medicali **PRIMA** di utilizzare questo prodotto se è stata prescritta una portata maggiore di 5 l/m.



PERICOLO!

Rischio di lesioni o morte

Sebbene Invacare si impegni a produrre il migliore concentratore di ossigeno disponibile sul mercato oggi, questo concentratore può non riuscire a produrre ossigeno a causa di mancanza di corrente o malfunzionamento del dispositivo.

- Avere **SEMPRE** una fonte di emergenza di ossigeno prontamente disponibile.
- Nel caso in cui il concentratore non riesca a produrre ossigeno, genererà un breve allarme per segnalare al paziente di passare alla fonte di emergenza di ossigeno. Per maggiori informazioni, fare riferimento a Guida alla soluzione dei problemi.



ATTENZIONE!

Rischio di lesioni o danni

L'utilizzo di questo prodotto al di fuori dell'uso previsto e dei parametri indicati non è stato testato e può essere causa di danni o perdita di funzionalità del prodotto, o di lesioni personali.

- **NON** utilizzare questo prodotto in qualsiasi altro modo diverso da quanto descritto nei parametri del prodotto stesso e nelle sezioni relative all'uso previsto di questo manuale.

1.3 Descrizione

Il concentratore Platinum Invacare viene utilizzato da pazienti con malattie respiratorie che necessitano di ossigeno supplementare. Il dispositivo non va considerato come un supporto o un sostegno vitale.

Il livello di concentrazione dell'ossigeno del gas erogato è compreso fra l'87% e il 95,6%. L'ossigeno viene somministrato al paziente mediante una cannula nasale.

Il concentratore Platinum Invacare utilizza un setaccio molecolare e un processo di assorbimento delle oscillazioni di pressione per produrre l'ossigeno erogato. L'aria dell'ambiente circostante entra nel dispositivo, viene filtrata e quindi compressa. Quest'aria compressa viene successivamente indirizzata verso uno dei due setacci di assorbimento dell'azoto.

L'ossigeno concentrato fuoriesce dal lato opposto del setaccio attivo e viene convogliato in un serbatoio di ossigeno da cui viene somministrato al paziente.

Il concentratore Platinum Invacare può essere utilizzato dal paziente in ambiente domestico o in una struttura ospedaliera. Il dispositivo funziona con un'alimentazione nominale di 230 V CA/50 Hertz.

Le informazioni di carattere tecnico verranno fornite su richiesta esclusivamente al personale tecnico qualificato.

I.4 Controindicazioni

Invacare non è a conoscenza di eventuali controindicazioni per il concentratore Invacare serie Platinum.

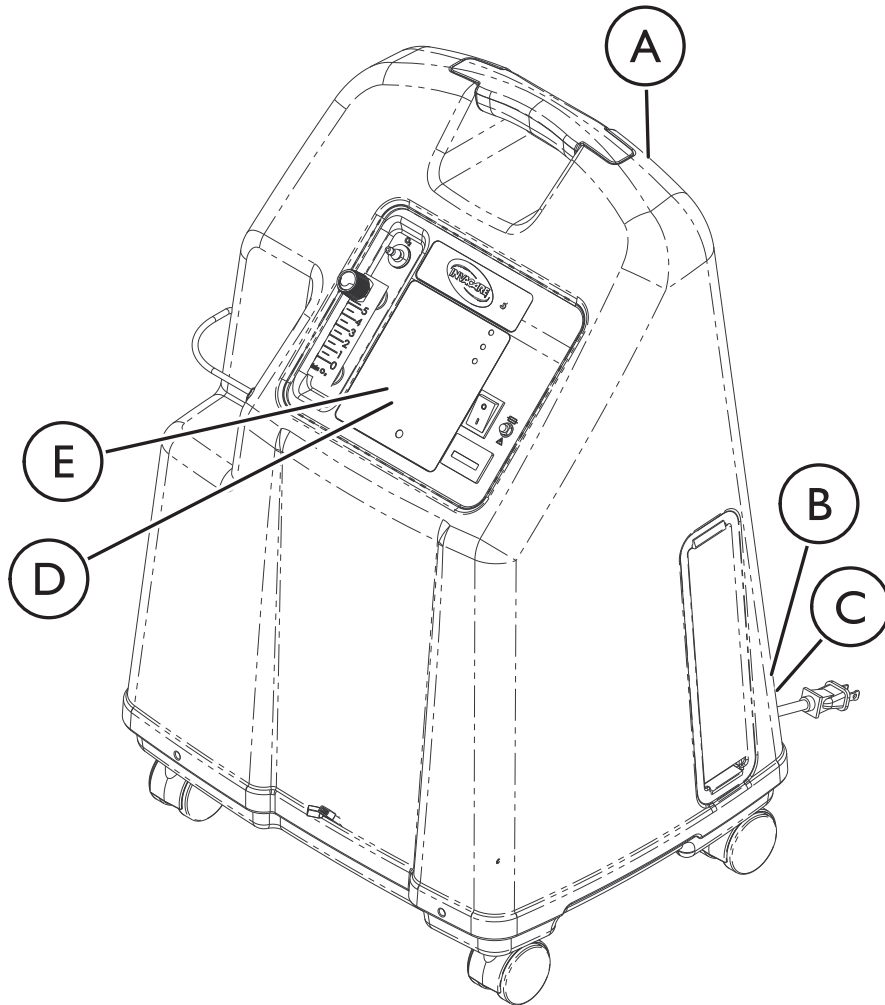
I.5 Accessori opzionali

Con questo dispositivo è possibile utilizzare molti tipi diversi di umidificatori, tubi dell'ossigeno, cannule e maschere. Rivolgersi al proprio fornitore di apparecchiature per la cura a domicilio per suggerimenti sui dispositivi più adatti in ogni caso specifico. Verranno inoltre fornite informazioni sull'utilizzo adeguato, la manutenzione e la pulizia.

Gli accessori di erogazione (cannula nasale, maschera, tubo, umidificatore, ecc.) usati per fornire ossigeno al paziente richiedono che siano previsti dei sistemi per la propagazione del fuoco tra gli accessori per la sicurezza del paziente e degli altri. Qualora sia disponibile in commercio, come accessorio viene impiegato un dispositivo di arresto del flusso attivato dal fuoco, che deve essere collocato il più vicino possibile al paziente.

2 Sicurezza

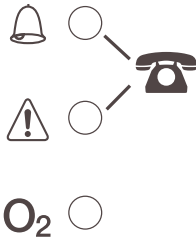
2.1 Posizione delle etichette



Ⓐ	L'etichetta del numero di serie è ubicata sul gruppo di aspirazione del risonatore.
Ⓑ	L'etichetta delle specifiche è ubicato sul lato posteriore, in basso.
Ⓒ	L'etichetta del doppio isolamento è ubicata sul lato posteriore, in basso.

IRC5LX02AW, IRC5LX02AWQ, IRC9LX02AWQ

HomeFill® Il Compatibile
con
SensO₂®



CONSULTARE IL MANUALE D'USO
O CONTATTARE IL PROPRIO
FORNITORE DI ATTREZZATURE DI
ASSISTENZA DOMICILIARE PER
LE ISTRUZIONI SULL'USO IN
SICUREZZA DEGLI ALLARMI,
DEGLI AVVISI ACUSTICI E DEGLI
ACCESSORI.

O₂

D

⚠ PERICOLO PERICOLO DI INCENDIO - VIETATO
FUMARE E UTILIZZARE FIAMME
LIBERE O SORGENTI DI INNESCO



Mantenere TUTTE le sorgenti di innesco fuori della stanza in cui si
trova il prodotto e lontano dalle aree in cui viene erogato l'ossigeno.
Tessuti, oli e altri combustibili sono facilmente infiammabili e
bruciano con grande intensità in aria arricchita di ossigeno.

⚠ PERICOLO RISCHIO DI SCOSSE ELETTRICHE

NON rimuovere il coperchio. Per la manutenzione, rivolgersi a
personale di assistenza qualificato.



E

IRC5LXAW

—

2.2 Linee guida generali

Per garantire che il montaggio, l'installazione e il funzionamento del concentratore avvengano in condizioni di sicurezza, è **FONDAMENTALE** attenersi a queste istruzioni.



PERICOLO!

Rischio di morte, lesioni o danni

Un uso improprio del prodotto può essere causa di morte, lesioni o danni. Questa sezione contiene informazioni importanti per il funzionamento e l'utilizzo sicuro di questo prodotto.

- NON usare questo prodotto o nessun altro dispositivo opzionale disponibile senza prima aver letto attentamente e compreso a fondo le presenti istruzioni ed ogni altro materiale informativo come il manuale d'uso, il manuale per la manutenzione o i fogli di istruzione forniti con questo prodotto o con i dispositivi opzionali.
- Qualora alcune avvertenze, precauzioni o istruzioni fossero di difficile comprensione, contattare un operatore sanitario qualificato, il rivenditore o tecnici qualificati prima di iniziare a utilizzare questa apparecchiatura.
- Verificare che **TUTTI** i componenti esterni e la scatola d'imballaggio non presentino danni. In caso di danni o se il prodotto non funziona correttamente, contattare un tecnico o Invacare per la riparazione.
- **LE INFORMAZIONI CONTENUTE NEL PRESENTE MANUALE POSSONO ESSERE MODIFICATE SENZA PREAVVISO.**



PERICOLO!

Rischio di morte, lesioni o danni causati dal fuoco

Prodotti tessili, olio o sostanze a base di petrolio, grasso, sostanze grasse o altri combustibili possono prendere fuoco facilmente e divampare con grande intensità in aria arricchita d'ossigeno e se entrano in contatto con ossigeno sotto pressione. Per evitare incendi, morte, lesioni o danni:

- **NON FUMARE** mentre si utilizza questo dispositivo.
- **NON** utilizzare il dispositivo in prossimità di **FIAMME LIBERE** o **MATERIALI INFIAMMABILI**.
- **NON** utilizzare lubrificanti di nessun tipo sul concentratore, a meno che non siano raccomandati da Invacare.
- I cartelli di **DIVIETO DI FUMARE** devono essere ben visibili.
- Evitare la formazione di scintille in prossimità del concentratore d'ossigeno. Ciò comprende scintille dovute all'elettricità statica causata da qualsiasi tipo d'attrito.
- Tenere fiammiferi, sigarette accese o altre fonti infiammabili fuori dalla stanza in cui si trova il concentratore e lontano dal punto in cui viene erogato l'ossigeno.
- Non coprire i tubi dell'ossigeno, il cavo e il concentratore con oggetti quali coperte, copriletto, cuscini o capi d'abbigliamento e tenerli lontani da superfici calde o fonti di calore, tra cui stufe, piani di cottura e apparecchiature elettriche simili.

**AVVERTENZA!**

La legislazione federale limita la vendita di questo dispositivo a un medico o su prescrizione di un medico autorizzato dall'agenzia governativa presso la quale pratica la propria attività.

- SOLTANTO un medico autorizzato può prescrivere l'acquisto o l'uso di questo apparecchio.

**PERICOLO!****Rischio di morte, lesioni causati da scossa elettrica**

Per ridurre il rischio di ustioni, folgorazioni, morte o lesioni a persone:

- NON smontare l'apparecchio. Per la manutenzione, rivolgersi a personale di assistenza qualificato. L'apparecchio non contiene parti riparabili dall'utente.
- Non usare l'apparecchio quando si fa il bagno. Se in base alla prescrizione medica l'apparecchio deve essere utilizzato costantemente, il concentratore deve essere posizionato in un'altra stanza ad almeno 2,5 m dalla stanza da bagno.
- NON toccare il concentratore qualora fosse bagnato.
- NON posizionare né conservare il concentratore in un punto da cui potrebbe cadere in acqua o in un altro liquido.
- NON toccare il concentratore se è caduto in acqua. Staccare IMMEDIATAMENTE la spina.
- NON usare i cavi dell'adattatore c.a. se logori o danneggiati.

**ATTENZIONE!****Rischio di lesioni o danni**

- I prodotti Invacare sono appositamente progettati e costruiti per essere utilizzati in combinazione con gli accessori Invacare. Gli accessori progettati da altri costruttori non sono stati collaudati da Invacare, pertanto se ne sconsiglia l'uso con i prodotti Invacare.
- Con questo dispositivo è possibile utilizzare molti tipi diversi di umidificatori, tubi dell'ossigeno, cannule e maschere. Rivolgersi al proprio fornitore di apparecchiature per la cura a domicilio per suggerimenti sui dispositivi più adatti in ogni caso specifico. Verranno inoltre fornite informazioni sull'utilizzo adeguato, la manutenzione e la pulizia.

**PERICOLO!****Rischio di lesioni o di morte**

Per evitare il soffocamento o l'ingestione di sostanze chimiche dovute alla contaminazione dell'aria:

- NON usare il concentratore in presenza di sostanze inquinanti, fumo, esalazioni nocive, anestetici infiammabili, prodotti detergenti, o vapori chimici.



ATTENZIONE!

Rischio di lesioni o di morte

Per prevenire lesioni o morte provocate dall'uso improprio del prodotto:

- Prestare la massima attenzione quando il concentratore è usato da o in presenza di bambini o persone con ridotte capacità fisiche.
- Seguire attentamente i pazienti con problemi d'udito e vista che non sono quindi in grado di percepire i segnali d'allarme o di segnalare disagio durante l'uso di questo dispositivo.



ATTENZIONE!

Pericolo di lesioni o di morte

Per evitare soffocamento e/o strangolamento dovuto ad attorcigliamento del tubo:

- Tenere bambini e animali domestici lontani dalla cannula nasale e dal tubo.
- Prestare la massima attenzione quando si usa la cannula nasale in presenza di bambini e/o di persone disabili.



ATTENZIONE!

Rischio di lesioni o di morte

Per ridurre il rischio di lesioni o morte a seguito di malattia:

- Sostituire regolarmente la cannula nasale. Consultare il fornitore dell'apparecchio o il medico per determinare la frequenza con cui deve essere sostituita la cannula.
- NON usare la stessa cannula per più pazienti.



ATTENZIONE!

Rischio di lesioni

Un cambiamento d'altitudine può influenzare la quantità di ossigeno disponibile. Per prevenire la mancanza d'ossigeno:

- Consultare il proprio medico prima di intraprendere un viaggio ad altitudini superiori o inferiori al fine di stabilire se si devono cambiare le impostazioni del flusso.



ATTENZIONE!

Rischio di lesioni o danni

Per prevenire lesioni o danni provocati da un uso improprio del cavo:

- NON muovere o spostare il concentratore tirandolo per il cavo.
- NON usare cavi di prolunga provvisti di adattatori di corrente c.a. forniti.
- Conservare e posizionare adeguatamente i cavi elettrici e/o i tubi al fine di evitare il rischio di inciampare.



ATTENZIONE!

Rischio di lesioni o danni

Per prevenire lesioni o danni provocati da un uso improprio:

- NON lasciare mai il concentratore incustodito quando è collegato all'alimentazione elettrica.
- Assicurarsi che il concentratore sia spento quando non viene utilizzato.
- All'aperto il dispositivo DEVE essere utilizzato soltanto se alimentato con la batteria interna o supplementare.

**ATTENZIONE!****Rischio di lesioni o danni**

I concentratori di ossigeno Invacare sono progettati espressamente per ridurre al minimo la manutenzione preventiva ordinaria. Per prevenire lesioni o danni:

- La manutenzione preventiva e le regolazioni del concentratore di ossigeno dovrebbero essere eseguite solo da personale competente in materia sanitaria o pienamente a conoscenza di tale processo, per esempio personale addestrato in fabbrica, tranne per le operazioni descritte in questo manuale.
- Gli utenti dovrebbero contattare il proprio rivenditore o il rappresentante locale Invacare per la manutenzione.

**AVVERTENZA!****Rischio di danni**

Per prevenire danni provocati dalla penetrazione di liquidi:

- Se il concentratore non funziona correttamente, è caduto, ha subito danni o è stato immerso in acqua, contattare il fornitore dell'attrezzatura o un tecnico qualificato per un controllo e la riparazione.
- **NON** far cadere né inserire **MAI** alcun oggetto o liquido in qualsiasi apertura.
- Invacare raccomanda di non utilizzare il concentratore sotto la pioggia.

2.3 Interferenza di radiofrequenza

**ATTENZIONE!****Pericolo di lesioni o danni**

Per ridurre il rischio di lesioni o danni al prodotto causati dall'interferenza di dispositivi wireless:

- Mantenere il concentratore a una distanza di almeno 3,0 m (9,8 piedi) dai dispositivi di comunicazione wireless, quali dispositivi di rete domestica wireless, telefoni cellulari, telefoni cordless e relative stazioni base, walkie-talkie, ecc.

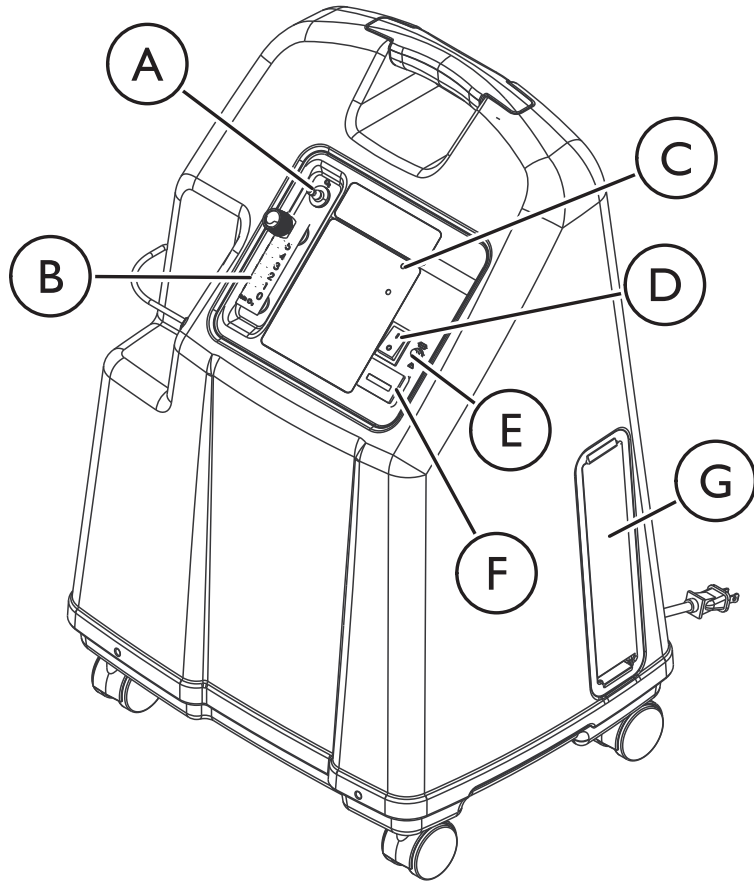
L'apparecchiatura è stata collaudata ed è risultata conforme ai limiti di compatibilità elettromagnetica specificati dalla norma IEC/EN 60601-1-2. Tali limiti sono stati elaborati per fornire una protezione ragionevole contro le interferenze elettromagnetiche di una tipica apparecchiatura medica.

Altri dispositivi possono subire interferenze anche da bassi livelli di emissioni elettromagnetiche consentiti dalle norme di cui sopra. Per determinare se l'interferenza è causata dalle emissioni del concentratore, spegnere il concentratore. Se le interferenze con uno o più dispositivi cessano, è il concentratore a causare l'interferenza. In questi rari casi, l'interferenza può essere ridotta o corretta adottando una delle misure seguenti:

- Riposizionerà o spostare le apparecchiature aumentando la distanza tra esse.
- Collegare l'apparecchiatura alla presa di un circuito elettrico diverso da quello che alimenta l'altro o gli altri dispositivi.

3 Componenti

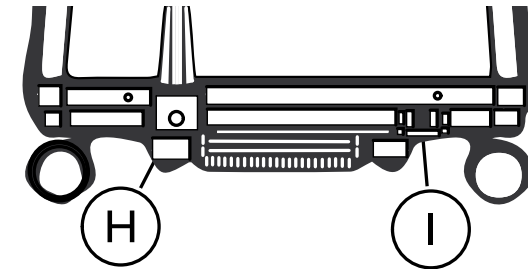
3.1 Identificazione dei componenti



Ⓐ	Uscita ossigeno
Ⓑ	Flussometro

Ⓒ	Spie luminose dell'indicatore di purezza ed errore dell'ossigeno /spie luminose dell'indicatore di errore e alimentazione
Ⓓ	Interruttore
Ⓔ	Interruttore di circuito
Ⓕ	Indicatore di tempo trascorso
Ⓖ	Filtro alloggiamento

Vista posteriore



Ⓗ	Cavo di alimentazione
Ⓘ	Raccordo di uscita HomeFill

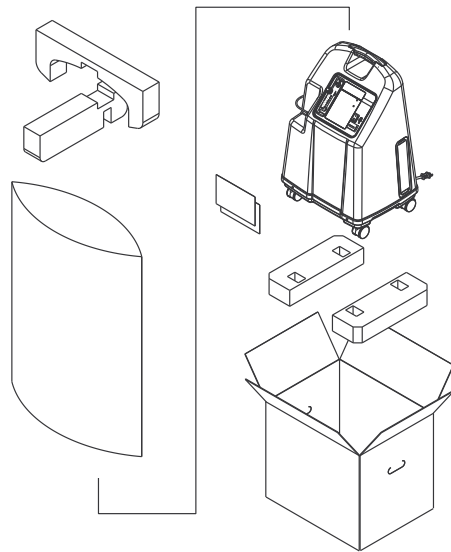


ACCESSORI (NON INDICATI): Compressore di ossigeno HomeFill - IOH200AW

Il raccordo di uscita HomeFill ① deve essere usato solo per il riempimento delle bombole di ossigeno con il compressore per ossigeno domiciliare HomeFill. Il raccordo di uscita non incide sulle prestazioni del concentratore. Per le istruzioni relative a funzionamento e collegamento, fare riferimento al Manuale d'uso di HomeFill. Quando non è utilizzata, la spina fornita con il concentratore deve essere inserita nel raccordo di uscita. Per ulteriori informazioni su HomeFill, contattare il proprio rivenditore Invacare.

4 Messa in servizio

4.1 Disimballaggio



1. Verificare che il cartone e il relativo contenuto non abbiano subito nessun danno evidente. In presenza di danni, avvisare il trasportatore o il rivenditore locale.
2. Rimuovere l'imballo.
3. Estrarre con cura dal cartone tutti i componenti.



Se il concentratore di ossigeno non deve essere usato **IMMEDIATAMENTE**, lasciarlo nella confezione fino a quando non si presenta la necessità di utilizzarlo.

4.2 Ispezione

1. Controllare/esaminare che l'esterno del concentratore non presenti scheggiature, ammaccature, crepe, graffi o altri danni.
2. Ispezionare tutti i componenti.

4.3 Conservazione

1. Conservare il concentratore all'interno del proprio imballo all'asciutto. Per i parametri delle temperature di conservazione, fare riferimento a Parametri tipici del prodotto.
2. **NON** posare alcun oggetto sulla parte superiore dell'imballo del concentratore.

5 Uso

5.1 Introduzione

Il concentratore di ossigeno è destinato esclusivamente all'uso individuale all'interno. Si tratta di un dispositivo elettronico che separa l'ossigeno dall'aria ambiente fornendo al paziente ossigeno ad alta concentrazione tramite una cannula nasale. Studi clinici hanno dimostrato che i concentratori di ossigeno equivalgono a livello terapeutico ad altri sistemi di erogazione di ossigeno.

Richiedere al proprio rivenditore di effettuare una dimostrazione dell'uso del concentratore e di rispondere ad eventuali domande. Questo manuale per l'uso descrive il concentratore e serve come riferimento durante l'uso dell'apparecchio.

5.2 Scelta di una ubicazione



ATTENZIONE!

Rischio di lesioni o danni

Per evitare lesioni o danni causati da sostanze inquinanti presenti nell'aria e/o esalazioni nocive e per un funzionamento ottimale:

- Collocare il concentratore in uno spazio ben ventilato in modo che l'ingresso e gli scarichi dell'aria non siano ostruiti.
- NON ostruire MAI le bocchette dell'aria del concentratore e non posizionarlo mai su una superficie morbida, come un letto o un divano, che possa ostacolare il flusso dell'aria.
- Mantenere le aperture del concentratore libere da ogni eventuale ostruzione (pelucchi, capelli e altro).
- Tenere il concentratore ad almeno 30,5 cm di distanza da pareti, tende o mobili.
- Non usare il concentratore in presenza di sostanze inquinanti, fumo o esalazioni nocive, anestetici infiammabili, prodotti detergenti, o vapori chimici.
- Per evitare sostanze inquinanti presenti nell'aria e/o esalazioni nocive collocare il concentratore in un'area ben ventilata.
- NON utilizzarlo in uno sgabuzzino.



ATTENZIONE!

Pericolo di lesioni

Per evitare lesioni durante la terapia:

- Il concentratore di ossigeno DEVE essere posizionato su un piano orizzontale per l'utilizzo.
- NON spostare il concentratore di ossigeno durante l'utilizzo.

Scegliere una camera in cui l'utilizzo del concentratore risulti il più pratico possibile. Il concentratore può essere spostato facilmente da una camera all'altra grazie alle apposite rotelle.

Il concentratore di ossigeno fornisce prestazioni ottimali se utilizzato in presenza delle condizioni dettagliate nella tabella di seguito.

L'uso in condizioni diverse da quelle descritte può determinare un aumento della manutenzione richiesta. La presa di aria dell'apparecchio deve trovarsi in una zona ben ventilata in modo da evitare vapori e/o sostanze inquinanti sospese nell'aria.

Linee guida consigliate per prestazioni ottimizzate

Temperatura:	10°C – 35°C
Elettricità:	Vietato l'uso di prolunghe.
Ubicazione:	Ad almeno 30,5 cm da pareti, mobili, tende o superfici simili.
Tubi e cannula:	IRC5LXAW, IRC5LXO2AW, IRC5LXO2AWQ Cannula da 2,1 m con una estensione massima di 15,2 m di tubature a prova di rottura (NON schiacciare).
	IRC9LXO2AWQ Per qualsiasi portata si consiglia di utilizzare tubi di lunghezza massima pari a 15,2 metri (50 piedi) con cannula di portata elevata.

Ambiente:	Senza fumo né fuliggine. Evitare spazi angusti (es.: ripostigli o armadi).
Umidità relativa:	Dal 20 al 60%
Durata di funzionamento:	Fino a 24 ore al giorno.
Velocità di flusso	IRC5LXAW, IRC5LXO2AW, IRC5LXO2AWQ Da 0,5 l/min. a 5 l/min. Sono sconsigliate velocità di flusso inferiori a 1 l/min.
	IRC9LXO2AWQ Da 1 l/min. a 9 l/min. Le portate inferiori a 1 l/min. sono sconsigliate.
Tempo di funzionamento minimo:	30 minuti



Accertarsi che il concentratore sia installato ad almeno 30,5 cm da pareti, tende o mobili, in modo da assicurare un flusso d'aria sufficiente. Evitare tappeti troppo spessi, termosifoni, riscaldatori o altri erogatori d'aria calda.

5.3 Installazione del concentratore

1. Inserire il cavo di alimentazione in una presa elettrica.
2. Connessione dell'umidificatore (se prescritto).

5.3.1 Installazione dell'umidificatore



ATTENZIONE!

Rischio di lesioni o danni

Per evitare ustioni causate da vapore o acqua calda, inalazione di acqua e/o danni provocati dall'acqua al concentratore:

- NON riempire il flacone dell'umidificatore con acqua calda. Prima di riempire l'umidificatore, lasciare che l'acqua bollita si raffreddi a temperatura ambiente.
- NON superare il livello indicato.
- Rimettere il tappo dell'umidificatore e serrare saldamente. Verificare che il tappo non sia spanato sul flacone dell'umidificatore.
- NON invertire le connessioni di ingresso e uscita dell'ossigeno. Se le connessioni di ingresso ed uscita sono invertite, l'acqua fluirà dal flacone dell'umidificatore tramite la cannula fino al paziente.
- Quando si utilizzano tubi di connessione di oltre 2,1 m (7 piedi) di lunghezza, posizionare l'umidificatore il più vicino possibile al paziente per consentire il massimo effetto di umidificazione.



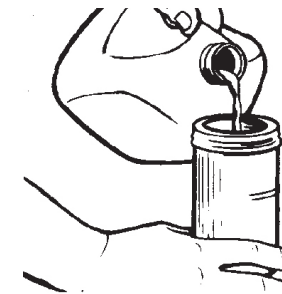
ATTENZIONE!

Rischio di lesioni o danni

L'installazione non corretta del flacone dell'umidificatore o di altri accessori sul concentratore influirà sul flusso di ossigeno.

- Per verificare il corretto funzionamento del concentratore di ossigeno e degli accessori, posizionare l'estremità della cannula nasale sotto la superficie di un bicchiere mezzo pieno e verificare la presenza di bolle.
- Se non sono presenti bolle, controllare tutte le connessioni (compresi il flacone dell'umidificatore e altri accessori, se necessario) e ripetere l'operazione. Se le bolle continuano a non comparire, contattare immediatamente il proprio rivenditore o fornitore di servizi.

Riempimento del flacone dell'umidificatore [Ⓐ]



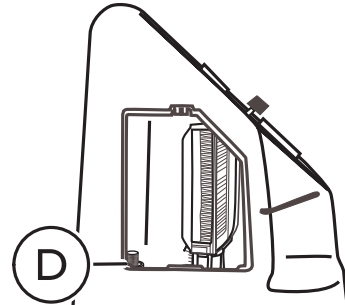
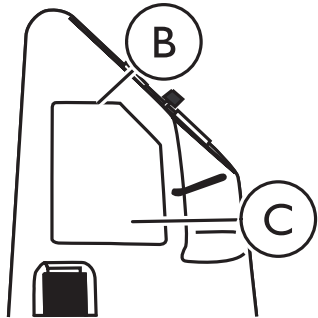
1. Rimuovere il tappo dal flacone.
2. Riempire il flacone dell'umidificatore [Ⓐ] con acqua del rubinetto bollita o acqua in bottiglia fino al livello indicato dal produttore. Far bollire l'acqua del rubinetto per circa 10 minuti e farla raffreddare a temperatura ambiente prima di utilizzarla.



AVVERTENZA!

Rischio di danni

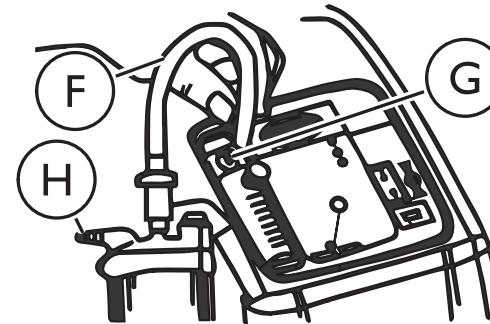
- Verificare che il tappo dell'umidificatore non sia spanato sul flacone dell'umidificatore.



3. Inserire un cacciavite a testa piatta nella scanalatura della piastra (B) sul bordo superiore dello sportello di accesso al filtro (C) e far leva con delicatezza sullo sportello.



4. Tirare verso l'alto e rimuovere l'adattatore del flacone dell'umidificatore (D) (accanto al filtro di ingresso).



ATTENZIONE!

Rischio di lesioni

Per evitare di influire negativamente sul flusso di ossigeno:

- Montare correttamente il flacone dell'umidificatore e/o altri accessori.

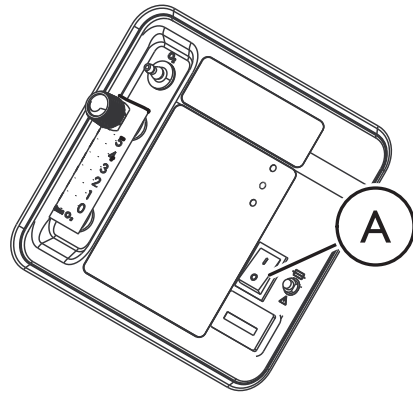
5. Collegarlo all'umidificatore ruotando in senso antiorario il dado ad alette del flacone fino a fissarlo saldamente.
6. Quando si posiziona il flacone dell'umidificatore nello scomparto (E) sul concentratore, collegare il tubo del flacone/adattatore dell'umidificatore (F) al connettore di uscita dell'ossigeno (G) sul concentratore.



Quando si utilizzano tubi di connessione di oltre 2,1 m (7 piedi) di lunghezza, posizionare l'umidificatore il più vicino possibile al paziente per consentire il massimo effetto di umidificazione.

7. Collegare il tubo di erogazione della cannula nasale del paziente all'uscita del flacone dell'umidificatore (H).
8. Accertarsi che l'ossigeno passi nella cannula.
9. Riporre lo sportello di accesso al filtro sul lato del concentratore incastrandolo di nuovo nella scanalatura della piastra.

5.3.2 Accensione del concentratore



1. Portare l'interruttore **A** di alimentazione in posizione On.

i Per un secondo tutte le spie si illuminano e l'allarme acustico risuona per indicare che l'apparecchio funziona correttamente.

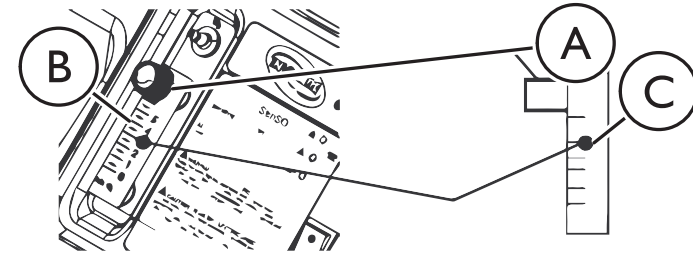
5.3.3 Velocità di flusso



ATTENZIONE! **Rischio di lesioni**

Per evitare lesioni causate da ossigeno in eccesso o insufficiente:

- NON modificare sul flussometro la regolazione l/min senza prescrizione medica.
- NON impostare il flusso su un valore superiore a 9 l/min.



1. Ruotare la manopola **A** della velocità di flusso sul valore prescritto dal medico o dal terapeuta.

i Per leggere correttamente il flussometro **B**, indentificare la riga della velocità di flusso prescritta. Ruotare quindi la manopola fino a quando la sfera **C** non viene a trovarsi sulla riga. Portare infine la sfera sulla riga l/min desiderata.

2. Se la portata del flussometro dovesse scendere al di sotto di 0,5 l/min **D** per più di circa un minuto, viene attivato l'avviso di potenziale ostruzione. Controllare se il tubo o un altro accessorio non sia bloccato o attorcigliato o se l'umidificatore non sia difettoso. Successivamente, quando la portata nominale viene ripristinata tra 0,5 l/min e 0,75 l/min, l'avviso di potenziale ostruzione si disattiva.


i Un avviso di possibile ostruzione indica una condizione che può essere associata ad una parziale o completa ostruzione dell'uscita dell'ossigeno.

L'utilizzo di alcuni accessori come il flussometro pediatrico PreciseRx™ e il compressore HomeFill, disattivano l'avviso di potenziale ostruzione.

5.3.4 Indicatori di purezza dell'ossigeno SensO₂

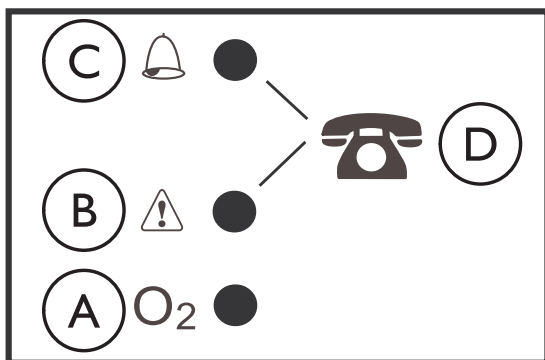
Questa funzione monitora la purezza dell'ossigeno generato dal concentratore. Se la purezza scende al di sotto del valore prefissato in fabbrica, si illumina un'apposita spia sul quadro di comando.


Avvio iniziale del concentratore



 il concentratore può essere usato durante il riscaldamento iniziale (30 min circa) mentre si aspetta che la purezza dell'O₂ raggiunga il massimo livello.

Quando si accende l'apparecchio, si illumina la spia VERDE (SISTEMA OK / O₂ superiore all'85%). Dopo 5 minuti, il sensore dell'ossigeno funziona normalmente e controlla le spie in funzione ai valori di concentrazione di ossigeno.

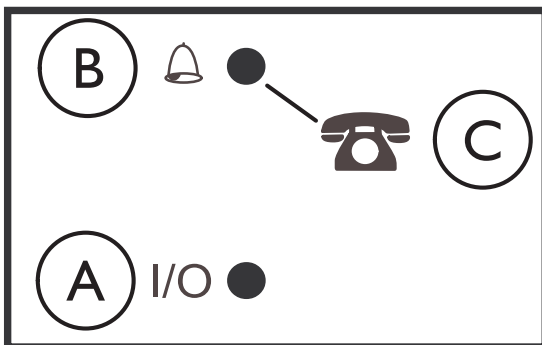
Significato delle spie dell'indicatore di purezza dell'ossigeno



	Simbolo	Purezza O ₂	Spie luminose (LED)	Spiegazione
Ⓐ	O ₂	SISTEMA OK O ₂ superiore a 85%	Spia VERDE	Non è necessaria alcuna azione. Normale per il funzionamento.
Ⓑ		O ₂ tra 73% e 85%	Spia GIALLA (fissa)	Chiamare immediatamente il fornitore. È possibile continuare a usare il concentratore salvo istruzioni contrarie del fornitore. Accertarsi di avere a portata di mano dell'ossigeno di emergenza.
			Spia GIALLA lampeggiante	

	Simbolo	Purezza O ₂	Spie luminose (LED)	Spiegazione
Ⓒ		ERRORE SISTEMA O ₂ inferiore a 73%	Spia ROSSA (fissa)	Allarme sonoro continuo Compressore Sieve-GARD™ Arresto ERRORE SISTEMA. Arresto totale dell'apparecchio. Passare immediatamente alla fonte di ossigeno di emergenza e chiamare il fornitore.
Ⓓ		—	—	Chiamare fornitore

5.3.5 Unità senza SensO₂



Il concentratore può essere usato durante il riscaldamento iniziale (30 min circa), mentre si aspetta che la purezza dell'O₂ raggiunga il massimo livello.

	Spia	Simbolo	Spiegazione
Ⓐ	Spia VERDE	I/O	Funzionamento normale
Ⓑ	Spia ROSSA		Allarme sonoro continuo Compressore Sieve-GARD™ Arresto Arresto totale dell'apparecchio. Passare immediatamente alla fonte di ossigeno di emergenza e chiamare il fornitore.
Ⓒ	—		Chiamare fornitore

5.4 Sistema allarme interruzione alimentazione principale

Il sistema di allarme non include batterie e non richiede pertanto manutenzione. Il sistema di allarme viene azionato da un condensatore che viene continuamente ricaricato ed è pronto ad attivare l'allarme in caso di interruzione dell'alimentazione principale.

6 Manutenzione

6.1 Pulizia dell'alloggiamento



PERICOLO!
Rischio di lesioni o danni

I concentratori di ossigeno Invacare sono progettati espressamente per ridurre al minimo la manutenzione preventiva ordinaria. Per prevenire lesioni o danni:

- La manutenzione preventiva del concentratore di ossigeno deve essere eseguita esclusivamente da personale qualificato.
- NON rimuovere l'alloggiamento.



PERICOLO!
Rischio di lesioni o danni

Le infiltrazioni di liquido danneggiano i componenti interni del concentratore. Per evitare danni o lesioni dovuti a scossa elettrica:

- Prima della pulizia, spegnere il concentratore e scollegare il cavo elettrico.
- NON lasciare che nessun tipo di detergente penetri nelle aperture di ingresso e uscita dell'aria.
- NON spruzzare o applicare nessun detergente direttamente sull'alloggiamento.
- NON dirigere il getto di una canna verso il prodotto.



AVVERTENZA!
Rischio di danni

Sostanze chimiche aggressive possono danneggiare il concentratore. Per evitare danni:

- NON pulire l'alloggiamento, la custodia o il filtro con alcol e prodotti a base d'alcol (alcol isopropilico), prodotti a base di cloro concentrato (cloro etilene) e prodotti a base di olio (Pine-Sol® , Lestoil®) o altre sostanze chimiche aggressive. Usare soltanto un detergente per piatti liquido delicato (ad esempio Dawn™).



La manutenzione preventiva **DEVE** essere effettuata almeno secondo le linee guida del registro di manutenzione. In sedi di installazione con elevate livelli di polvere o fuliggine, potrebbero essere necessari interventi di manutenzione più frequenti. Fare riferimento alla lista di controllo per la manutenzione.

Pulire periodicamente l'alloggiamento del concentratore nel modo seguente:

1. Usare una spugna o un panno inumidito con un detergente per piatti delicato, ad esempio il sapone per piatti Dawn™ , per pulire delicatamente l'alloggiamento esterno.
2. Lasciare asciugare il concentratore all'aria oppure utilizzare un asciugamano asciutto prima di azionare il concentratore.

6.2 Pulizia del filtro dell'alloggiamento



AVVERTENZA!

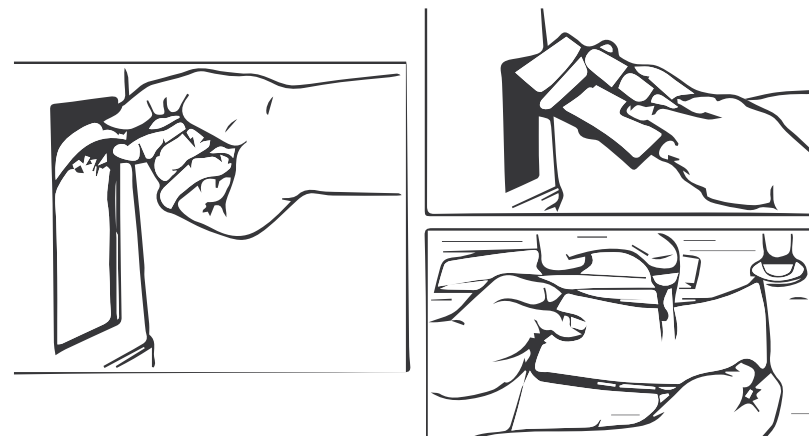
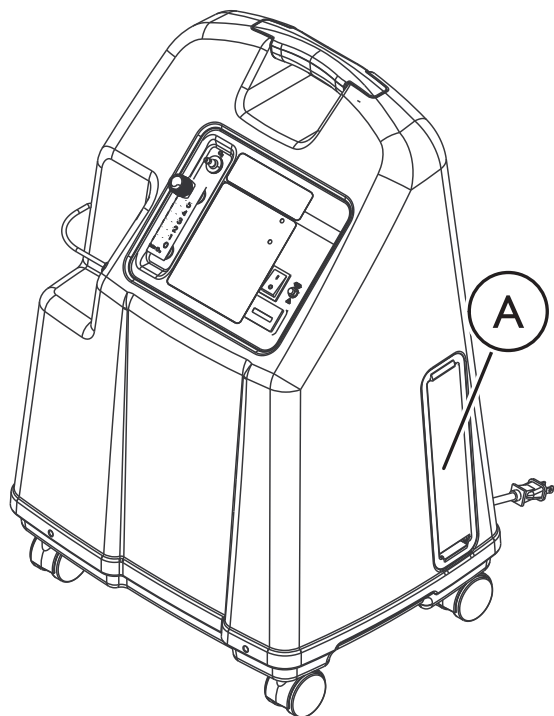
Rischio di danni

Per evitare danni dovuti a otturazione:

- NON utilizzare il concentratore senza il filtro di aspirazione aria.



Vi sono due filtri posizionati su ciascun lato dell'alloggiamento.




1. Rimuoverlo e pulirlo [Ⓐ] secondo necessità.




Le condizioni ambientali che possono richiedere una più frequente pulizia dei filtri sono, tra le altre: polvere, fumo, agenti inquinanti nell'aria, ecc.

2. Pulire il filtro mobile con un aspirapolvere o lavare con un detergente delicato liquido piatti (come Dawn™) e acqua. Sciacquare abbondantemente.
3. Asciugare completamente il filtro e controllare che non sia consumato, scheggiato, lacerato o forato. Se si riscontrano danni sostituire il filtro.
4. Reinstallare il filtro dell'alloggiamento.

6.3 Pulizia e disinfezione termica dell'umidificatore

 Pulire e disinfettare quotidianamente l'umidificatore di ossigeno per ridurre la formazione di depositi di calcare e prevenire l'eventuale contaminazione batterica. Seguire le istruzioni fornite del produttore. Se non viene fornita alcuna istruzione, attenersi alla procedura seguente:

1. Lavare l'umidificatore con acqua e sapone e risciacquare con una soluzione composta da dieci parti di acqua e una parte di aceto.
2. Sciacquare bene con acqua calda.
3. Lasciare asciugare completamente.

 Per limitare la formazione di battere, lasciare asciugare completamente all'aria l'umidificatore dopo averlo pulito, quando non in uso. Per l'utilizzo, fare riferimento a Installazione.

6.4 Pulizia e disinfezione da un paziente all'altro




ATTENZIONE!

Rischio di lesioni o danni

Per evitare lesioni da infezione o danni al concentratore:

- Soltanto il personale qualificato può eseguire la pulizia e la disinfezione del concentratore di ossigeno e degli accessori per l'utilizzo da un paziente all'altro.

 Seguire le istruzioni per eliminare possibili scambi patogeni tra i pazienti a causa della contaminazione di componenti o accessori. La manutenzione preventiva deve essere eseguita in quel momento, se necessario.

1. Eliminare e sostituire tutti gli accessori dei pazienti non adatti al riutilizzo tra più pazienti, compresi a titolo di esempio non limitativo:
 - La cannula nasale e il tubo
 - La maschera
 - L'umidificatore
2. Eseguire le procedure di manutenzione descritte nel presente manuale e controllare i punti nella lista di controllo per la manutenzione preventiva.
3. Controllare che il concentratore non presenti eventuali danni o segni esterni che possano richiederne la manutenzione o la riparazione.
4. Assicurarsi che il concentratore funzioni correttamente e che tutti gli allarmi siano funzionanti.
5. Prima di riconfezionare il prodotto e consegnarlo al nuovo paziente, assicurarsi che la confezione contenga il concentratore, il cavo di alimentazione, la presa d'aria in ingresso, le istruzioni di montaggio, l'umidificatore, la cannula, le etichette e il manuale d'uso.

6.5 Lista di controllo per la manutenzione preventiva

N. MODELLO:

N. DI SERIE:

AOGNI ISPEZIONE							
Data dell'intervento							
Registrare le ore trascorse indicate sul contaore							
Pulire i filtri dell'alloggiamento (fare riferimento a Filtro dell'alloggiamento).							
Controllare la velocità di flusso prescritta (l/min)							
DURANTE IL PROGRAMMA DI MANUTENZIONE PREVENTIVA O TRA UN PAZIENTE E L'ALTRO							
UNITÀ SENZA SensO₂: ogni 6 mesi di uso continuo (equivalenti a 4.380 ore)							
Controllare la concentrazione di ossigeno (spia verde)							
Pulire/sostituire i filtri dell'alloggiamento (fare riferimento a Filtro dell'alloggiamento).							
Pulire/sostituire il filtro HEPA d'uscita*							
Pulire/sostituire il filtro d'ingresso del compressore*							
Controllare l'allarme di perdita dell'alimentazione*							
UNITÀ CON SensO₂: ogni 3 anni di uso continuo (equivalenti a 26.280 ore)							
Controllare la concentrazione di ossigeno (spia verde)							
Pulire/sostituire i filtri dell'alloggiamento (fare riferimento a Filtro dell'alloggiamento).							
Pulire/sostituire il filtro HEPA d'uscita*							
Pulire/sostituire il filtro d'ingresso del compressore*							

Controllare l'allarme di perdita dell'alimentazione*							
*Da eseguire da parte del fornitore o di un tecnico di assistenza qualificato. Vedere il manuale per la manutenzione.							

7 Dopo l'utilizzo

7.1 Informazioni per il riciclo

Questo prodotto è stato fornito da un costruttore consapevole dell'impatto ambientale e nel rispetto della Direttiva 2012/19/UE sullo smaltimento dei materiali elettrici ed elettronici (WEEE). Il prodotto può contenere sostanze che potrebbero essere pericolose per l'ambiente se smaltite in luoghi (discariche) non conformi alla normativa in vigore.

Rispettare le ordinanze locali e i piani di riciclaggio che regolamentano lo smaltimento del concentratore o dei componenti normalmente utilizzati per il suo funzionamento. Il concentratore non produce rifiuti o residui durante il funzionamento.

- NON smaltire il concentratore insieme ai rifiuti domestici.
- Tutti gli accessori che non fanno parte del concentratore DEVONO essere trattati in conformità con il contrassegno relativo allo smaltimento di ogni singolo prodotto.
- NON smaltire la batteria interna e i gruppi batterie supplementari. I gruppi batterie dovrebbero essere restituiti al rivenditore/fornitore.

Invacare® lavora costantemente per garantire che l'impatto ambientale dell'azienda a livello locale e globale sia ridotto al minimo. Rispettiamo le normative ambientali in vigore (ad es. le direttive WEEE e RoHS). Garantiamo di utilizzare esclusivamente materiali e componenti conformi alla direttiva REACH.

7.2 Consumo e usura

Invacare si riserva il diritto di richiedere la restituzione di qualsiasi elemento con presunti difetti di lavorazione. Per informazioni specifiche sulla garanzia, vedere il documento di garanzia spedito insieme al prodotto.

Per informazioni sul programma di manutenzione preventiva appropriato e sull'uso del prodotto, fare riferimento al Manuale d'uso.

Queste sono solo linee guida generali e non includono gli elementi danneggiati a causa di abuso o uso improprio. La durata utile varia in base a molti fattori.

Di seguito sono elencati gli elementi e i componenti di questo prodotto soggetti a normale consumo e usura:

- Tutti i tipi di filtri
- Tutti i tipi di tubazioni
- Tutti i tipi di batterie, comprese quelle al piombo-acido/al litio, a bottone (il tipo degli orologi) e al gel (6 mesi)





Il setaccio è di un materiale poroso ed è considerato un componente soggetto a usura. Alcuni fattori che potrebbero influire sulla durata del materiale del setaccio includono umidità, temperatura, particelle, acqua contaminata, aspirazione aria, vibrazioni e altre condizioni ambientali.

8 Risoluzione guasti

8.1 Risoluzione guasti

SINTOMO	CAUSA PROBABILE	SOLUZIONE:
<p>Allarme:</p> <p>Bip brevi con lunga pausa</p> <p>Il concentratore non funziona. Interruttore su ON.</p> <p>Bip....Bip....</p>	<p>Perdita di corrente:</p> <ol style="list-style-type: none"> 1. Cavo di alimentazione NON inserito. 2. Mancanza di corrente sulla presa. 3. Interruttore di circuito scattato. 	<ol style="list-style-type: none"> 1. Inserire la spina nella presa. 2. Ispezionare gli interruttori di circuito e i fusibili. Se il problema si ripresenta, usare una presa diversa. 3. Premere/riarmare l'interruttore automatico. Se il problema persiste, chiamare il fornitore del servizio.
<p>Allarme:</p> <p>Continuo</p> <p>Il concentratore non funziona. Interruttore su On.</p> <p>Biiiiiiiiiiip....</p>	<p>System Failure:</p> <ol style="list-style-type: none"> 1. Surriscaldamento dovuto a ostruzione sull'entrata dell'aria. 2. Corrente insufficiente nella presa. 3. Necessaria una riparazione interna. 	<ol style="list-style-type: none"> 1. <ol style="list-style-type: none"> a. Rimuovere e pulire i filtri dell'alloggiamento. b. Porre il concentratore ad almeno 30, 5 cm da pareti, tende o mobili. 2. NON usare prolunghes. Usare un'altra presa elettrica o un altro circuito. 3. Chiamare il servizio di assistenza.

SINTOMO	CAUSA PROBABILE	SOLUZIONE:
<p>Allarme:</p> <p>Spia GIALLA o ROSSA accesa</p> <p>Allarme: spia ROSSA sempre accesa</p> <p> * Solo per i SensO₂ modelli.</p>	<p>Errore sistema:</p> <ol style="list-style-type: none"> 1. Ossigeno con bassa purezza.* 2. Tubo, cannula o umidificatore schiacciati o bloccati.* 3. Flussometro su 0,5 l/min o meno.* 4. Surriscaldamento dovuto a ostruzione sull'entrata dell'aria. 5. Corrente insufficiente nella presa. 6. Necessaria una riparazione interna. 	<ol style="list-style-type: none"> 1. Pulire o sostituire i filtri. 2. Verificare che non ci siano schiacciate o blocchi. Correggere, pulire o sostituire il componente. Spegnerne per 60 secondi e riaccendere. 3. Verificare che il flussometro sia impostato su 1.0 l/min o più. Fare riferimento a Parametri tipici del prodotto. 4. <ol style="list-style-type: none"> a. Rimuovere e pulire i filtri dell'alloggiamento. b. Porre il concentratore ad almeno 30,5 cm da pareti, tende o mobili. 5. NON usare prolunghe. Usare un'altra presa elettrica o un altro circuito. 6. Chiamare il servizio di assistenza.
<p>Spia VERDE con spia GIALLA lampeggiante.</p>	<ol style="list-style-type: none"> 1. Necessaria una riparazione interna. 	<ol style="list-style-type: none"> 1. Chiamare il servizio di assistenza.
<p>Allarme:</p> <p>RAPIDO</p> <p>Bip... Bip...</p> <p>Bip... Bip...</p>	<p>Avviso di potenziale ostruzione:</p> <ol style="list-style-type: none"> 1. Possibile ostruzione nel percorso dell'ossigeno. Tubo, cannula o umidificatore schiacciati o bloccati. 2. Flussometro impostato su 0,5 l/min o meno. 	<ol style="list-style-type: none"> 1. Verificare che non ci siano schiacciamenti o blocchi. Correggere, pulire o sostituire il componente. Spegnerne per 60 secondi e riaccendere. 2. Le velocità di flusso inferiori a 1 l/min non sono raccomandate. <p> L'uso del flussometro pediatrico disattiva l'avviso di potenziale ostruzione.</p>

9 Dati tecnici

9.1 Parametri tipici del prodotto

Requisiti elettrici:	230 VAC + 10, -15% (253 VAC/195.5 VAC), 50 Hz
Corrente nominale in entrata:	1,4 A (IRC5LXO2AWQ)
	2,0 A (IRC5LXAW, IRC5LXO2AW)
	2,3 A (IRC9LXO2AWQ)
Livello acustico:	39,5 dB in media
	44 dB in media (IRC5LXAW, IRC5LXO2AW)
	50 dB in media (IRC9LXO2AWQ)
Altitudine:	Fino a 1828 metri sopra il livello del mare senza degradazione dei livelli di concentrazione. SCONSIGLIATO L'USO SOPRA I 1828 metri. Intervallo della pressione atmosferica: 101,33 kPa — 81,22 kPa
	IRC9LXO2AWQ - Fino a 1.230 metri (4.000 piedi). (1.230 metri) sopra il livello del mare senza degradazione dei livelli di concentrazione. Intervallo della pressione atmosferica: 101,33 kPa — 88,0 kPa
*Livelli di concentrazione dell'ossigeno in uscita: All 5LXO2AWQ/5LXAW / 5LXO2AW/9LXO2AWQ modelli	IRC5LXAW, IRC5LXO2AW, IRC5LXO2AWQ 93% minimo da 1 a 3 l/min 91% minimo a 4 l/min 87% minimo a 5 l/min (flusso massimo raccomandato)

<p>i *Livelli di concentrazione raggiunti dopo un periodo di riscaldamento iniziale (circa 30 minuti)</p>	<p>IRC9LXO2AWQ 92% minimo da 1 a 2 l/min 93% minimo da 3 a 7 l/min 91% minimo a 8 l/min 87% minimo a 9 l/min</p>
<p>Pressione massima in uscita:</p>	<p>IRC5LXAW, IRC5LXO2AW, IRC5LXO2AWQ 34,5 ± 3,45 kPa (5 ± 0,5 psi)</p>
<p>Velocità di flusso:</p>	<p>IRC9LXO2AWQ 62,0 kPa ± 3,45 kPa (9 ± 0,5 psi)</p>
<p>Avviso di potenziale ostruzione:</p>	<p>IRC5LXAW, IRC5LXO2AW, IRC5LXO2AWQ 0,5 a 5 l/min. Velocità di flusso inferiore a 1 l/min sconsigliata.</p> <p>IRC9LXO2AWQ da 1 l/min. a 9 l/min. Le portate inferiori a 1 l/min. sono sconsigliate.</p>
<p>Consumo medio:</p>	<p>Il concentratore rileva una condizione che può indicare una potenziale ostruzione per l'ossigeno in uscita. Bip sonoro di allarme con ripetizione rapida (questo avviso è disattivato quando vengono collegati gli accessori). Può essere associato con una regolazione di flusso di 0,5 l/min o meno.</p> <p>IRC5LXO2AWQ 300 W 280 W a 3 l/min.</p> <p>IRC5LXO2AW 365 W 340 W a 3 l/min.</p>

	IRC5LXAW 380 W
	IRC9LXO2AWQ 475 W
Meccanismo di regolazione della pressione operativo a:	241 kPa ± 24,1 kPa (35 psi ± 3,5 psi)
Variazione rispetto al flusso massimo raccomandato quando si applica una contropressione di 7 kPa:	0,7 l/min
Filtri:	Cabinet (2), Alloggiamento, uscita HEPA ed entrata compressore
Sistema di sicurezza:	Sovraccarico di corrente o arresto per sovratensione. Arresto del compressore per temperatura elevata. Arresto del compressore per pressione elevata. Arresto del compressore per pressione bassa. Allarme per perdita di alimentazione senza batterie. Avviso di possibile ostruzione del sistema ad ossigeno SensO ₂ .
Larghezza:	46,7 cm ± 1 cm
Altezza:	67,0 cm ± 1 cm
Profondità:	36,5 cm ± 1 cm
Peso:	IRC5LXAW, IRC5LXO2AW, IRC5LXO2AWQ 23,6 kg ± 1 kg (52 lbs ± 2 lbs)
	IRC9LXO2AWQ 24,0 kg ± 1 kg (53 lbs ± 2 lbs)

Peso di spedizione:	IRC5LXAW, IRC5LXO2AW, IRC5LXO2AWQ 26,8 kg ± 1 kg (59 lbs ± 2 lbs)
	IRC9LXO2AWQ 27,2 kg ± 1 kg (60 lbs ± 2 lbs)
Condizioni ambientali per il funzionamento:	10°C - 35°C al 20-60% di umidità relativa
Alloggiamento:	In plastica resistente agli urti e ignifugo (conforme alla norma UL 94-V0).
Standard e norme:	IRC5LXAW/IRC5LXO2AW/ IRC5LXO2AWQ/IRC9LXO2AWQ Testato da ETL in conformità a: EN55011 EN61000-3-2 EN61000-3-3 IEC 60601-1, A1, A2 IEC 60601-1-2 IRC5LXO2AW, IRC5LXO2AWQ, IRC9LXO2AWQ Solo per i modelli ISO8359 MDD
Modelli con marchio CE:	IRC5LXO2AW, IRC5LXO2AWQ, IRC9LXO2AWQ
Elettricità:	Vietato l'uso di prolunghe
Posizionamento:	Collocare a una distanza minima di 30,5 cm (12 pollici) da pareti, tende, mobili o superfici simili al fine di garantire una circolazione sufficiente dell'aria. Evitare tappeti troppo spessi, radiatori, riscaldatori o altri erogatori d'aria calda. Collocare esclusivamente sul pavimento. Non collocare in spazi ristretti (ad esempio: armadi).

Tubature:	IRC5LXAW, IRC5LXO2AW, IRC5LXO2AWQ Cannula da 2 m con una estensione massima di 15 m di tubature a prova di rottura. (NON schiacciare)
	IRC9LXO2AWQ Si consiglia di utilizzare tubi di lunghezza massima pari a 15,2 metri (50 piedi) con portata elevata.
Umidità relativa:	20 a 60%
Durata di funzionamento:	Fino a 24 ore al giorno
Temperatura raccomandato di immagazzinamento e di spedizione:	Da -29°C a 65°C, al 15-95% di umidità relativa

Spis treści

Ten podręcznik MUSI BYĆ przekazany użytkownikowi produktu. PRZED rozpoczęciem korzystania z produktu należy zapoznać się z informacjami znajdującymi się w podręczniku, a podręcznik zachować, aby móc korzystać z niego w przyszłości.

I Informacje ogólne	176
1.1 Symbolika	176
1.2 Przeznaczenie	178
1.3 Opis	178
1.4 Przeciwwskazania	179
1.5 Opcjonalne Akcesoria	179
2 Bezpieczeństwo	180
2.1 Umieszczenie etykiet	180
2.2 Ogólne wskazówki	182
2.3 Zakłócenia częstotliwości radiowych	185
3 Elementy	186
3.1 Identyfikacja elementów	186
4 Uruchomienie	187
4.1 Rozpakowywanie	187
4.2 Kontrola	187
4.3 Przechowywanie	187
5 Użytkowanie	188
5.1 Wstęp	188
5.2 Wybór miejsca	188
5.3 Przygotowanie koncentratora	190
5.3.1 Przygotowanie nawilżacza	190
5.3.2 Włączanie koncentratora	192
5.3.3 Szybkość przepływu	192
5.3.4 Wskaźniki czystości tlenu SensO ₂	193

5.3.5 Urządzenia bez SensO ₂	194
5.4 Układ alarmu braku zasilania	195
6 Konserwacja	196
6.1 Czyszczenie obudowy	196
6.2 Czyszczenie filtra obudowy	197
6.3 Czyszczenie i dezynfekcja termiczna nawilżacza	198
6.4 Czyszczenie i dezynfekcja przed przekazaniem kolejnemu pacjentowi	198
6.5 Lista kontrolna konserwacji zapobiegawczej	199
7 Czynności po zakończeniu użytkowania wózka	200
7.1 Informacje dotyczące recyklingu	200
7.2 Zużycie	200
8 Usuwanie nieprawidłowości	201
8.1 Usuwanie nieprawidłowości	201
9 Dane techniczne	203
9.1 Typowe parametry produktu	203

I Informacje ogólne

I.1 Symbolika

W niniejszym podręczniku użyto pewnych określeń ostrzegawczych, odnoszących się do zagrożeń lub czynności niebezpiecznych, które mogą doprowadzić do obrażeń ciała użytkownika lub do uszkodzenia mienia. W poniższej tabeli zamieszczono definicje określeń ostrzegawczych.



NIEBEZPIECZEŃSTWO!

– „Niebezpieczeństwo” oznacza sytuację nadchodzącego ryzyka, które – o ile nie uda się go uniknąć – doprowadzi do śmierci lub poważnych obrażeń ciała.



OSTRZEŻENIE!

– „Ostrzeżenie” oznacza sytuację możliwego ryzyka, które – o ile nie uda się go uniknąć – może doprowadzić do śmierci lub poważnych obrażeń ciała.



UWAGA!

– „Przestroga” wskazuje sytuację możliwego ryzyka, które – o ile nie uda się go uniknąć – może spowodować uszkodzenie mienia.



Daje przydatne wskazówki, porady i informacje dla sprawnego i bezawaryjnego użytkownika.

Symbole stosowane w dokumentacji



Zapoznać się z instrukcją obsługi



Zakaz Palenia



Przechowywać z dala od otwartego ognia



Klasa II, podwójna izolacja



Prąd zmienny



Urządzenie typu BF



Kosz



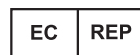
Nie należy wyrzucać razem z odpadami z gospodarstw domowych



Zagrożenie porażeniem prądem



Chronić przed wilgocią



Przedstawiciel w WE



Producent



Skontaktuj się z dostawcą



**Ten produkt spełnia wymagania dyrektywy 93/42/EWG dotyczącej urządzeń medycznych.

Data wprowadzenia tego produktu na rynek jest ustalona w deklaracji zgodności WE.

Więcej informacji o znakach CE zamieszczono w rozdziale Typowe parametry produktu.

Symbole umieszczone na produkcie





Urządzenie pracuje




Urządzenie nie pracuje

Wskaźniki O₂

Symbol	Czystość O ₂	Lampki Kontrolne (DIODY LED)
O ₂	SYSTEM OK O ₂ powyżej 85%	ZIELONA lampka kontrolna

	O ₂ od 73% do 85%	ŻÓŁTA lampka kontrolna A. Świeci stale na ŻÓŁTO B. Miga na ŻÓŁTO Awaria Skontaktuj się z wykwalifikowanym technikiem
	Awaria systemu O ₂ poniżej 73%	ŻÓŁTA lampka kontrolna Patrz: rozdział Rozwiązywanie problemów.

Wskaźniki LX

Symbol	Czystość O ₂	Lampki Kontrolne (DIODY LED)
I/O	SYSTEM OK	ZIELONA lampka kontrolna
	Awaria systemu	ŻÓŁTA lampka kontrolna Ciągły alarm dźwiękowy Sieve-GARD™ wyłączenie kompresora Skontaktuj się z wykwalifikowanym technikiem

I.2 Przeznaczenie

Koncentrator tlenu jest przeznaczony do indywidualnego użytkowania przez pacjentów z zaburzeniami układu oddechowego, którzy wymagają podawania dodatkowego tlenu. Urządzenie to nie jest przeznaczone do podtrzymywania lub przedłużania życia. Koncentrator jest przeznaczony do użytku w domu lub placówkach opieki zdrowotnej.



NIEBEZPIECZEŃSTWO! **Ryzyko obrażeń lub śmierci**

Ten produkt ma być stosowany jako dodatek tlenu i nie jest przeznaczony do życia wspieranie lub podtrzymujących życie. Tylko użyciu tego produktu, jeśli pacjent jest w stanie spontanicznego oddechu w stanie wdychać wydech bez użycia urządzenia.

- NIE używać równolegle lub szeregowo z innymi urządzeniami koncentratorów tlenu lub tlenu terapii.



NIEBEZPIECZEŃSTWO! **Ryzyko obrażeń lub śmierci**

W zależności od stanu zdrowia, pacjenci wymagający stosowania szybkości przepływu powyżej 5 l/m mogą być bardziej narażeni na poważne obrażenia ciała lub zgon w wypadku wystąpienia awarii.

- ZAWSZE należy omówić kwestię zwiększonego ryzyka z personelem medycznym PRZED zastosowaniem urządzenia w przypadku przepisania szybkości przepływu powyżej 5 l/m.



NIEBEZPIECZEŃSTWO! **Ryzyko obrażeń lub śmierci**

Pomimo starań firmy Invacare, aby wyprodukować najlepszy na rynku koncentrator tlenu, jego działanie może zostać przerwane w wyniku awarii zasilania bądź usterki samego urządzenia.

- ZAWSZE należy mieć dostęp do gotowego do użycia rezerwowego źródła O₂.
- W wypadku zaprzestania wytwarzania tlenu koncentrator natychmiast powiadomi pacjenta o konieczności przejścia na rezerwowe źródło O₂. Więcej informacji można znaleźć w rozdziale Rozwiązywanie problemów.



OSTRZEŻENIE!

Niebezpieczeństwo obrażeń ciała lub uszkodzenia
Używanie tego produktu poza przeznaczeniem i produktów parametrów nie został przetestowany i może prowadzić do uszkodzenia produktu, utrata funkcji produktu lub obrażeń.

- NIE używaj tego produktu w sposób inny niż opisany w parametrach produktu i przeznaczone sekcje korzystania z niniejszej instrukcji.

I.3 Opis

Koncentrator Invacare Platinum jest przeznaczony dla pacjentów z zaburzeniami układu oddechowego, którzy wymagają podawania dodatkowego tlenu. Urządzenie to nie jest przeznaczone do podtrzymywania lub przedłużania życia.

Poziom stężenia tlenu w gazie wyjściowym wynosi od 87% do 95,6%. Tlen jest dostarczany do pacjentów poprzez użycie kaniuli do nosa.

Do wytwarzania tlenu w koncentratorze Invacare Platinum zastosowano sito molekularne oraz adsorpcję zmiennociśnieniową. Urządzenie przyjmuje powietrze z otoczenia, które następnie poddaje filtracji i sprężaniu. Sprężone powietrze jest kierowane do jednego z dwóch złożeń sita do adsorpcji azotu.

Skoncentrowany tlen wydostaje się z drugiej strony aktywnego złoża sita i jest kierowany do zbiornika tlenu, skąd zostaje podany pacjentowi.

Koncentrator Invacare Platinum może być wykorzystywany przez pacjenta w domu lub w placówce medycznej. Znamionowe parametry zasilania urządzenia to 230 V AC/50 Hz.

Informacje dotyczące serwisowania będą udostępniane na żądanie wyłącznie wykwalifikowanym pracownikom obsługi technicznej.

I.4 Przeciwwskazania

Firmie Invacare nie są znane żadne przeciwwskazania dotyczące stosowania koncentratorów z serii Invacare Platinum.

I.5 Opcjonalne Akcesoria

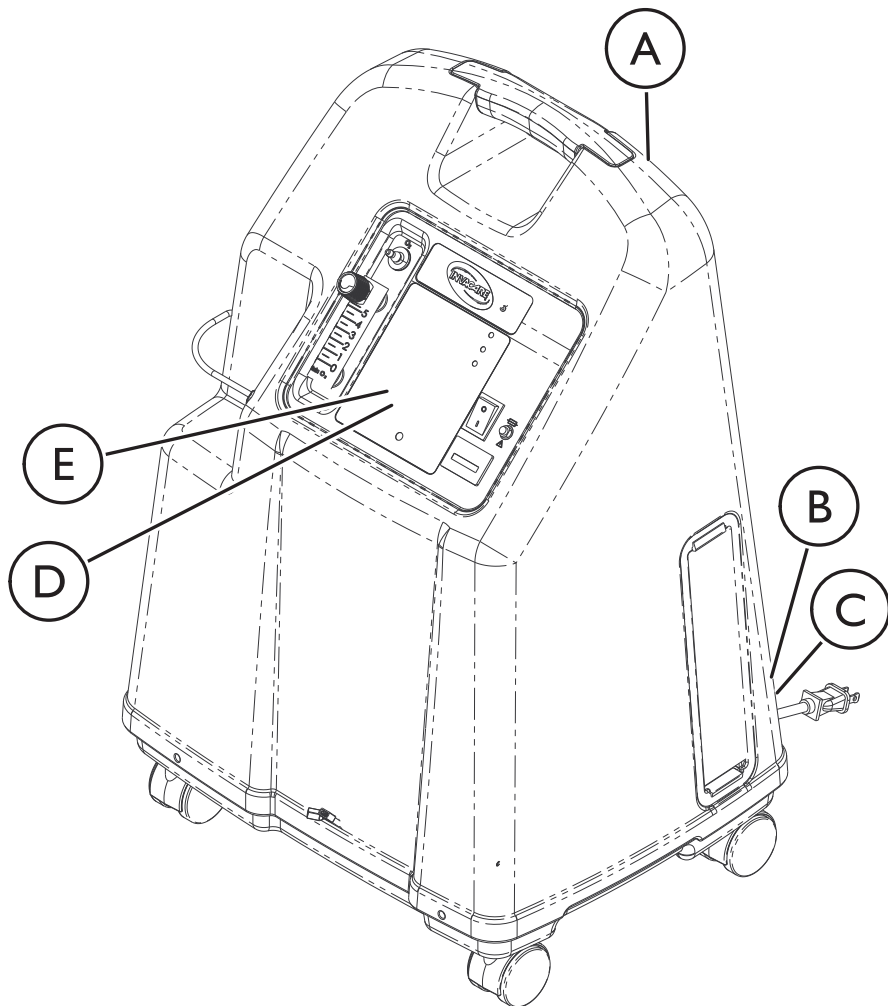
Z opisywanym urządzeniem można stosować wiele różnych rodzajów nawilzaczy, przewodów tlenowych, kaniul i masek. Aby uzyskać informacje odnośnie wyboru najodpowiedniejszych urządzeń, należy skontaktować się z instytucją świadczącą usługi opieki domowej. Powinna ona udzielić również wskazówek dotyczących prawidłowego korzystania z urządzeń, ich konserwacji i czyszczenia.

Akcesoria (kaniuła nosowa, maska, przewód, nawilżacz itp.) używane do dostarczania tlenu pacjentowi muszą być wyposażone w elementy ograniczające rozprzestrzenianie się ognia w akcesoriach w celu zapewnienia bezpieczeństwa pacjenta i innych osób. Jeśli w połączeniu z akcesoriami stosowane jest dostępne na rynku urządzenie

zatrzymujące przepływ aktywowane w przypadku wystąpienia ognia, powinno ono znajdować się możliwie jak najbliżej pacjenta.

2 Bezpieczeństwo

2.1 Umieszczenie etykiet

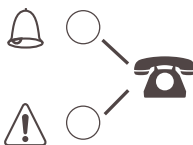


Ⓐ	Etykieta z numerem seryjnym znajduje się na zespole wlotowym rezonatora.
Ⓑ	Etykieta ze specyfikacją produktu znajduje się z tyłu koncentratora, przy podstawie.
Ⓒ	Etykieta podwójnej izolacji znajduje się z tyłu koncentratora, przy podstawie.

IRC5LX02AW, IRC5LX02AWQ, IRC9LX02AWQ

**Koncentrator tlenu HomeFill® II
współpracujący z czujnikiem**

tlenu

SensO₂®

INSTRUKCJE DOTYCZĄCE
BEZPIECZNEGO UŻYTKOWANIA
URZĄDZENIA, INFORMACJE O
ALARMACH, ALERTACH DŹWIĘKOWYCH
I SPOSOBIE UŻYTKOWANIA
AKCESORIÓW ZAWIERA PODRĘCZNIK
UŻYTKOWNIKA. MOŻNA JE RÓWNIEŻ
UZYSKAĆ U DOSTAWCY SPRZĘTU DO
DOMOWEGO UŻYTKU.

O₂

D

**⚠ NIEBEZPIECZEŃSTWO RYZYKO POŻARU — NIE
PALIĆ TYTONIU W POBLIŻU URZĄDZENIA;
PRZECHOWYWAĆ Z DALA OD OTWARTEGO
OGNIA I ŹRÓDEŁ ZAPŁONU.**

WSZYSTKIE źródła zapłonu przechowywać poza pomieszczeniem,
w którym znajduje się urządzenie oraz z dala od obszarów
dostarczania tlenu. W atmosferze powietrza wzbogaconego w tlen
wyroby tekstylne, olej oraz inne materiały łatwopalne mogą z
łatwością ulec zapłonowi i spaleni.



**⚠ NIEBEZPIECZEŃSTWO
RYZYO PORAŻENIA PRĄDEM ELEKTRYCZNYM**

NIE zdejmować pokrywy. Czynności serwisowe powinien
przeprowadzać wyłącznie wykwalifikowany personel.

E

IRC5LXAW

2.2 Ogólne wskazówki

W celu zapewnienia bezpiecznej instalacji, montażu i działania koncentratora Perfecto₂ MUSZA być przestrzegane niniejsze instrukcje.



NIEBEZPIECZEŃSTWO! **Ryzyko śmierci, uszkodzenia ciała lub uszkodzenia**

Niewłaściwe użycie produktu może spowodować śmierć, obrażenia lub uszkodzenia. Ta sekcja zawiera informacje ważne dla bezpiecznego funkcjonowania i użytkowania tego produktu.

- Nie wolno stosować niniejszego produktu, ani żadnego z urządzeń dodatkowych, przed zapoznaniem się z niniejszymi instrukcjami oraz ze wszystkimi innymi wskazówkami, takimi jak te, które znajdują się w podręczniku użytkownika, podręczniku napraw lub na ulotkach informacyjnych dostarczonych z niniejszym produktem lub z wyposażeniem dodatkowym.
- W przypadku niemożności zrozumienia ostrzeżeń, ostrzeżeń lub instrukcji przed próbą użycia niniejszego sprzętu należy porozumieć się z lekarzem, sprzedawcą lub pracownikiem działu technicznego.
- Sprawdź wszystkie elementy zewnętrzne i karton jest uszkodzony. W przypadku uszkodzenia lub gdy produkt nie działa prawidłowo, należy skontaktować się z technikiem lub Invacare do naprawy.
- Informacje zawarte w niniejszym dokumencie mogą ulec zmianie bez powiadomienia.



NIEBEZPIECZEŃSTWO! **Ryzyko śmierci, uszkodzenia ciała lub uszkodzenia od ognia**

Wyroby włókiennicze, olej lub substancje ropopochodne, tłuste, tłuszcze i inne substancje palne substancje są łatwo się zapalają i nagrać z wielką intensywnością w powietrze wzbogacone tlenem i kiedy w kontakcie z tlenem pod ciśnieniem. Aby uniknąć pożaru, śmierć, obrażenia lub uszkodzenia:

- Podczas użytkowania niniejszego urządzenia **NIE WOLNO** palić tytoniu.
- Nie używać w pobliżu otwartego ognia lub zapalenia **ŹRÓDEŁ**.
- **NIE** używać żadnych smarów na koncentratora chyba zalecane przez Invacare.
- Objawów palenia powinny być umieszczone w widocznym miejscu.
- Należy unikać sytuacji powodującej powstawanie iskiei w pobliżu tlenowych urządzeń medycznych. Dotyczy to iskiei spowodowanych przez elektryczność statyczną, powstającą przy każdym rodzaju tarcia.
- W pomieszczeniu, w którym znajduje się produkt, nie wolno trzymać zapalek, zapalonych papierosów lub innych źródeł zapłonu.
- Przewody tlenowe, przewód zasilania i urządzenie powinny znajdować się z dala od nagranych lub gorących powierzchni, w tym grzejników, koców elektrycznych, kuchenek i podobnych urządzeń elektrycznych.

**UWAGA!**

Federalna (ustawowo) Prawo ogranicza sprzedaż tego urządzenia przez lub na zlecenie lekarza, licencjonowanym przez agencję rządową, gdy on / ona praktykuje.

- To urządzenie może zostać zamówione i być używane **WYŁĄCZNIE** przez uprawnionego lekarza.

**NIEBEZPIECZEŃSTWO!****Ryzyko śmierci, obrażeń ciała, porażenia prądem**

Aby zmniejszyć ryzyko oparzenia, porażenia prądem elektrycznym, śmierci lub uszkodzenia ciała:

- **NIE** rozbierać. Naprawę wykwalifikowanemu personelowi. Brak części obsługiwanych przez użytkownika.
- Urządzenia nie wolno używać podczas kąpieli. Jeśli lekarz zalecił stałe stosowanie, Koncentrator należy umieścić w innym pomieszczeniu, w odległości co najmniej 2,5 m (7 ft) od łazienki.
- **NIE WOLNO** dotykać koncentratora, dopóki jest on wilgotny.
- Produktu **NIE WOLNO** umieszczać ani przechowywać w miejscach, gdzie może wpaść do wody lub innej cieczy.
- **NIE WOLNO** dotykać produktu, który wpadł do wody. Urządzenie należy **NATYCHMIAST** odłączyć od sieci zasilającej.
- **NIE** używać lub uszkodzone przewody zasilacza.

**OSTRZEŻENIE!****Niebezpieczeństwo obrażeń ciała lub uszkodzenia**

- Produkty firmy Invacare zostały specjalnie zaprojektowane i wyprodukowane w celu stosowania ich z wyposażeniem dodatkowym firmy Invacare. Wyposażenie dodatkowe innych producentów nie zostało sprawdzone przez firmę Invacare i nie zaleca się jego stosowania z produktami firmy Invacare.
- Z opisywanym urządzeniem można stosować wiele różnych rodzajów nawilżaczy, przewodów tlenowych, kaniul i masek. Aby uzyskać informacje odnośnie wyboru najodpowiedniejszych urządzeń, należy skontaktować się z instytucją świadczącą usługi opieki domowej. Powinna ona udzielić również wskazówek dotyczących prawidłowego korzystania z urządzeń, ich konserwacji i czyszczenia.

**NIEBEZPIECZEŃSTWO!****Ryzyko obrażeń lub śmierci**

Aby uniknąć zadławienia lub spożyciu substancji chemicznych z zanieczyszczenia dróg oddechowych:

- **NIE** używaj koncentratora w obecności zanieczyszczeń, dymu, spalin, łatwopalnych środków znieczulających, środków czyszczących lub oparów chemicznych.



OSTRZEŻENIE!

Ryzyko obrażeń lub śmierci

Aby uniknąć obrażeń lub śmierci z niewłaściwego użytkowania produktu:

- Ścisłe nadzorować gdy koncentrator jest używana przez lub w pobliżu dzieci lub osób prowokowanych fizycznie.
- Monitorować pacjentów za pomocą tego urządzenia, które nie są w stanie usłyszeć lub zobaczyć, alarmy lub komunikować dyskomfort.



OSTRZEŻENIE!

Ryzyko obrażenia ciała lub zgonu

Aby uniknąć zakrztuszenia i/lub uduszenia w wyniku zaplątania się przewodu:

- Należy trzymać kaniulę nosową i przewód z dala od dzieci i zwierząt domowych.
- W przypadku korzystania z kaniuli nosowej przez dzieci i/lub osoby niepełnosprawne lub w ich pobliżu konieczny jest ścisły nadzór.



OSTRZEŻENIE!

Ryzyko obrażeń lub śmierci

Aby zmniejszyć ryzyko obrażeń lub śmierci z powodu choroby:

- Wymień kaniuli nosowej regularnie. Skontaktuj się z dostawcą sprzętu lub lekarza w celu określenia, jak często kaniuli należy wymienić.
- NIE akcji kaniuli pomiędzy pacjentami.



OSTRZEŻENIE!

Niebezpieczeństwo obrażeń

Zmiana wysokości może mieć wpływ na całkowite tlenu dostępne. Aby zapobiec pozbawieniu tlenu:

- Przed wyjazdem do wyższych lub niższych wysokościach, aby określić, czy ustawienia przepływu powinny być zmieniane skonsultować się z lekarzem.



OSTRZEŻENIE!

Niebezpieczeństwo obrażeń ciała lub uszkodzenia

Aby uniknąć obrażeń lub uszkodzenia z niewłaściwego przewodu:

- NIE WOLNO przesuwać ani przemieszczać koncentratora, ciągnąc za przewód.
- NIE używać przedłużaczy z zasilaczy dostarczonych.
- Prawidłowo przechowywać i umieścić przewody elektryczne i / lub rur, aby uniknąć potknięcia.



OSTRZEŻENIE!

Niebezpieczeństwo obrażeń ciała lub uszkodzenia

Aby uniknąć obrażeń lub uszkodzenia z niewłaściwego przewodu:

- Nigdy nie pozostawiać bez nadzoru, gdy koncentrator podłączony.
- Upewnij się, że koncentrator jest wyłączony, gdy nie jest w użyciu.
- Zastosowanie na zewnątrz muszą być prowadzone tylko z mocy wewnętrznej lub uzupełniającego akumulatorów.

**OSTRZEŻENIE!****Niebezpieczeństwo obrażeń ciała lub uszkodzenia**

Invacare koncentratory tlenu są specjalnie zaprojektowane, aby zminimalizować rutynowej konserwacji prewencyjnej. Aby uniknąć obrażeń lub uszkodzenia:

- Konserwacja zapobiegawcza lub regulacja koncentratora tlenu może być przeprowadzana wyłącznie przez personel medyczny lub osoby dokładnie znające ten proces, np. autoryzowanych i przeszkolonych w fabryce pracowników serwisu, z wyjątkiem zadań opisanych w niniejszej instrukcji.
- Użytkownicy powinni skontaktować się ze sprzedawcą lub Invacare do serwisu.

**UWAGA!****Ryzyko uszkodzenia**

Aby zapobiec uszkodzeniom spowodowanym wnikaniem cieczy:

- Jeśli koncentrator nie działa poprawnie, został upuszczony lub uszkodzony albo wpadł do wody, należy wezwać wykwalifikowanego pracownika serwisu w celu sprawdzenia i naprawy urządzenia.
- NIGDY nie upuść lub wstawić jakiś obiekt lub płyn do każdego otworu.
- Invacare zaleca koncentrator nie mogą być używane w czasie deszczu.

2.3 Zakłócenia częstotliwości radiowych

**OSTRZEŻENIE!****Ryzyko obrażeń ciała lub uszkodzenia urządzenia**

Aby zmniejszyć ryzyko obrażeń ciała lub uszkodzenia produktu w wyniku zakłóceń spowodowanych działaniem urządzeń bezprzewodowych:

- Koncentrator powinien znajdować się w odległości co najmniej 3,0 m (9,8 stopy) od urządzeń komunikacji bezprzewodowej, takich jak domowe urządzenia sieci bezprzewodowej, telefony komórkowe, telefony bezprzewodowe i stacje bazowe, walkie-talkie itp.

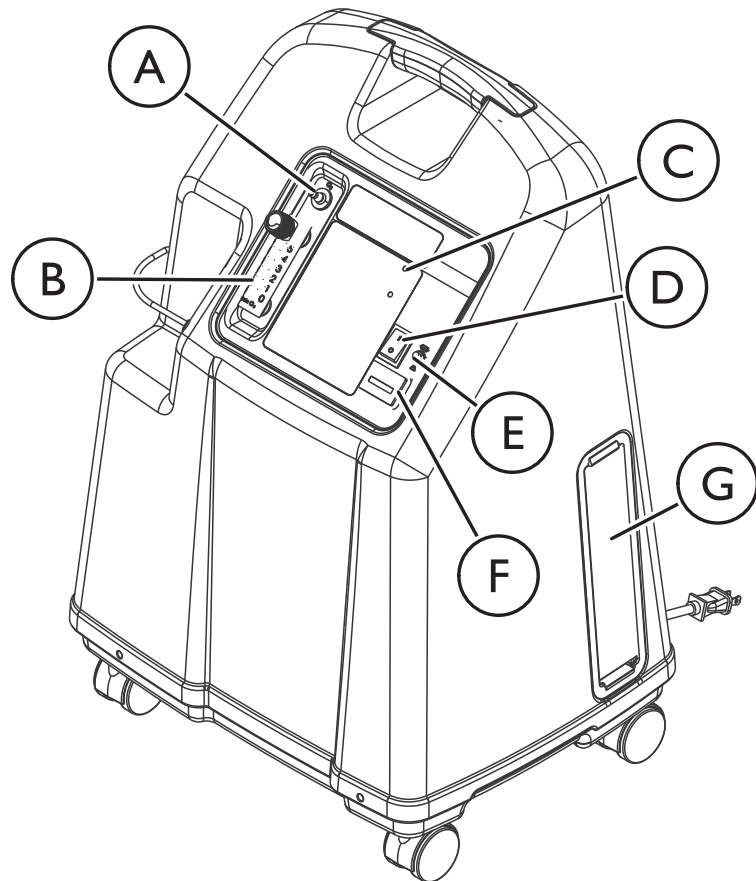
To urządzenie zostało przetestowane i uznane za zgodne z ograniczeniami określonymi przez EMC IEC / EN 60601-1-2. Ograniczenia te mają na celu zapewnienie odpowiedniej ochrony przed zakłóceniami elektromagnetycznymi w typowej instalacji medycznej.

Inne urządzenia mogą wystąpić zakłócenia nawet z niskim poziomem emisji elektromagnetycznych dozwolonych powyższymi standardami . Aby ustalić, czy emisje z koncentratora są przyczyną zakłóceń , wyłączyć koncentrator Off . Jeżeli interferencja z innym urządzeniem (ów) zatrzymuje się , akoncentrator powoduje zakłóceń. W rzadkich przypadkach takich , interferencja może być zmniejszona lub poprawione przez jeden z następujących środków:

- Założyć, przemieszczenia, lub zwiększyć odległość między urządzeniem.
- Podłączenie urządzenia do gniazdka w innym obwodzie niż ten, do którego podłączony jest inne urządzenie (-a).

3 Elementy

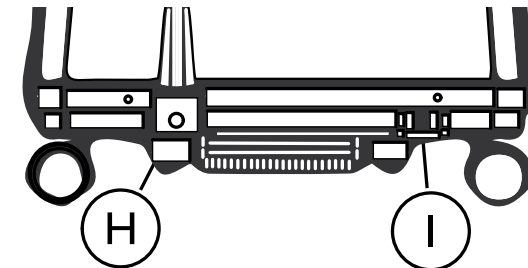
3.1 Identyfikacja elementów



Ⓐ	Otwór wylotowy tlenu
Ⓑ	Przepływomierz
Ⓒ	Lampki kontrolne czystości tlenu i awarii/lampki kontrolne awarii i zasilania

Ⓓ	Przełącznik zasilania
Ⓔ	Wyłącznik obwodu
Ⓕ	Licznik upływu czasu
Ⓖ	Filtr obudowy

Widok od tyłu



Ⓗ	Przewód zasilania
Ⓘ	Złącze wylotowe HomeFill

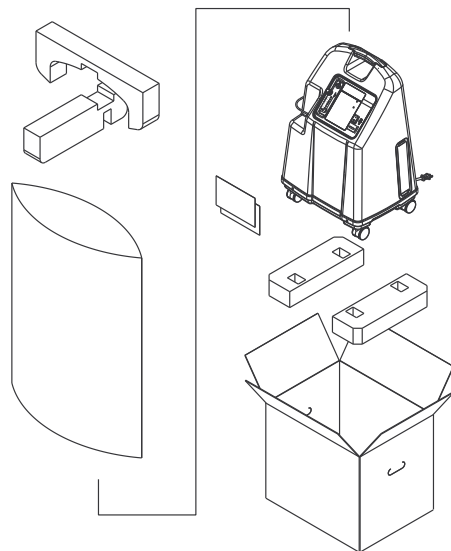


WYPOSAŻENIE DODATKOWE (NIEPOKAZANE):
 Domowy kompresor tlenu HomeFill - IOH200AW

Złącze wylotowe HomeFill ① służy wyłącznie do napełniania butli tlenowych za pomocą domowej sprężarki tlenu HomeFill. Złącze wylotowe nie ma wpływu na wydajność koncentratora. Instrukcje dotyczące podłączania i obsługi sprężarki HomeFill znajdują się w jej instrukcji obsługi. Gdy urządzenie nie jest używane, należy w złączu wylotowym umieścić zatyczkę dostarczoną wraz z koncentrator. W celu uzyskania dodatkowych informacji na temat sprężarki HomeFill należy skontaktować się z dystrybutorem Invacare.

4 Uruchomienie

4.1 Rozpakowywanie



1. Sprawdź, czy karton lub jego zawartość nie są uszkodzone. W przypadku wyraźnego uszkodzenia zawiadom firmę transportową lub firmę Invacare.
2. Wyjmij z kartonu wszystkie luźne części.
3. Ostrożnie wyjmij z kartonu wszystkie elementy urządzenia.

i Jeśli koncentrator tlenu nie ma być NATYCHMIAST użyty, należy pozostawić go w opakowaniu do przechowywania do czasu, aż zajdzie potrzeba jego użycia.

4.2 Kontrola

1. Należy sprawdzić, czy na zewnętrznej stronie koncentratora nie występują rysy, pęknięcia ani inne uszkodzenia.
2. Sprawdź wszystkie elementy.

4.3 Przechowywanie

1. Rozpakowany koncentrator tlenu należy przechowywać w suchym miejscu. Informacje dotyczące temperatury przechowywania zamieszczono w rozdziale Typowe parametry produktu.
2. Na ponownie zapakowanym koncentratorze **NIE WOLNO** umieszczać innych przedmiotów.

5 Użytkowanie

5.1 Wstęp

Omawiany koncentrator tlenu jest przeznaczony do indywidualnego użytku w pomieszczeniach. Jest to urządzenie elektroniczne, oddzielające tlen od powietrza atmosferycznego. Dostarcza ono tlen w dużym stężeniu bezpośrednio do kaniuli donosowej. Badania kliniczne dowiodły, że koncentratory tlenu stanowią terapeutyczny odpowiednik innych typów systemów dostarczania tlenu.

Sposób używania koncentratora tlenu przedstawi dostawca. Należy się z nim skontaktować w przypadku pojawienia się pytań lub problemów związanych z koncentratorom tlenu. Podręcznik użytkownika zawiera informacje o koncentratorze i służy jako odniesienie podczas jego użytkowania.

5.2 Wybór miejsca



OSTRZEŻENIE!

Niebezpieczeństwo obrażeń ciała lub uszkodzenia

Aby uniknąć obrażeń lub uszkodzenia zanieczyszczeń powietrza i / lub oparów i dla optymalnej wydajności:

- Zlokalizuj i ustaw koncentrator w dobrze wentylowanym pomieszczeniu, tak aby wlot powietrza i wywietrznikami nie są zasłonięte.
- **NIE WOLNO** zakrywać otworów wentylacyjnych produktu ani umieszczać go na miękkiej powierzchni, takiej jak łóżko lub kanapa, gdzie otwory wentylacyjne mogą zostać zablokowane.
- Z otworów należy usuwać włókna, włosy itp.
- Koncentrator tlenu należy odsunąć od ścian, zasłon i mebli na co najmniej 30,5 cm.
- Unikać stosowania w obecności zanieczyszczeń, dymu lub oparów łatwopalnych środków znieczulających, środków czyszczących lub oparów chemicznych.
- Umieść koncentrator w dobrze wentylowanym pomieszczeniu, aby uniknąć zanieczyszczeń powietrza i / lub dymy.
- Nie stosować w szafie.



OSTRZEŻENIE!

Ryzyko obrażeń ciała

Aby uniknąć obrażeń ciała podczas leczenia:

- Koncentrator **MUSI** stać na płaskiej powierzchni, gdy jest używany.
- Podczas korzystania z koncentratora **NIE NALEŻY** go przestawiać.

Istnieje możliwość wyboru takiego pomieszczenia w domu, w którym korzystanie z koncentratora tlenu będzie najwygodniejsze. Dzięki zamontowanym kółkom urządzenie można łatwo przewozić z pokoju do pokoju.

Koncentrator tlenu będzie działał najlepiej w warunkach określonych w poniższej tabeli.

Użytkowanie w warunkach innych niż opisane może spowodować konieczność częstszej konserwacji urządzenia. Aby uniknąć zanieczyszczeń unoszących się w powietrzu i/lub dymu, wlot powietrza urządzenia powinien znajdować się w dobrze przewietrzonym miejscu.

Zalecane wytyczne w celu zapewnienia optymalnej wydajności

Temperatura:	10°C - 35°C
Elektryczne:	Nie stosować przedłużaczy.
Ustawienie:	W odległości co najmniej 30,5 cm od ściany, mebli, zasłon lub podobnych powierzchni.
Przewody i kaniula:	IRC5LXAW, IRC5LXO2AW, IRC5LXO2AWQ Kaniula donosowa z przewodem 2,1 m oraz przewód odporny na zgniatanie (typu Crush-Proof) o maksymalnej długości 15,2 m (NIE przygniatać przewodu).

	IRC9LXO2AWQ Zalecane uycie z rurkami wysokoprzeplywowymi o maksymalnej prdkoci 50 stóp, z kaniul wysokoprzeplywow przy wszystkich prdkociach przeplywu.
Środowisko:	Bez dymu i sadzy. Nie używać na ograniczonych przestrzeniach (np. w toalecie).
Wilgotność względna:	20–60%
Czas pracy:	Do 24 godzin dziennie.
Szybkość przepływu	IRC5LXAW, IRC5LXO2AW, IRC5LXO2AWQ Od 0,5 l/min do 5 l/min. Szybkości przepływu poniżej 1 l/min nie są zalecane.
	IRC9LXO2AWQ 1 l/min. do 9 l/min. Prdkoci przeplywu nisz ni 1 l/min. nie s zalecane.
Minimalny czas pracy:	30 minut



W celu zapewnienia wystarczającego dopływu powietrza należy się upewnić, że koncentrator znajduje się w odległości przynajmniej 30,5 cm od ścian, zasłon lub mebli. Należy unikać puszystych dywanów, grzejników, kaloryferów lub źródeł gorącego powietrza.

5.3 Przygotowanie koncentratora

1. Podłącz przewód zasilania do gniazda elektrycznego.
2. Podłączanie nawilzacza (o ile jest takie zalecenie).

5.3.1 Przygotowanie nawilzacza



OSTRZEŻENIE!

Niebezpieczeństwo obrażeń ciała lub uszkodzenia

Aby uniknąć oparzeń parą wodną lub gorącą wodą, wdychania wody i/lub spowodowanego przez wodę uszkodzenia koncentratora:

- NIE NALEŻY napełniać butelki nawilzacza gorącą wodą. Przed napełnieniem należy odczekać, aż przegotowana woda ochłodzi się do temperatury pokojowej.
- NIE WOLNO przepelniać nawilzacza.
- Założyć pokrywę nawilzacza i dobrze ją dokręcić. Sprawdzić, czy nie wystąpiło przekoszenie gwintu pokrywy na butelce nawilzacza.
- NIE WOLNO zamieniać złącza wejściowego i wyjściowego tlenu. Jeśli złącze wejściowe zostanie zamienione z wyjściowym, woda z butelki nawilzacza będzie doprowadzana przez kaniulę z powrotem do pacjenta.
- W przypadku używania połączeń przewodów dłuższych niż 2,1 m (7 stóp) nawilzacz należy umieścić możliwie jak najbliżej pacjenta, aby zapewnić maksymalną wydajność nawilzacza.



OSTRZEŻENIE!

Niebezpieczeństwo obrażeń ciała lub uszkodzenia

Nieprawidłowy montaż butelki nawilzacza lub innych akcesoriów w koncentratorze wpłynie na przepływ tlenu.

- Aby sprawdzić, czy koncentrator tlenu i jego akcesoria działają prawidłowo, należy umieścić końcówkę kaniuli nosowej pod powierzchnią wody w szklance napełnionej do połowy. Pojawienie się pęcherzyków powietrza oznacza, że działanie jest prawidłowe.
- Jeśli pęcherzyki się nie pojawiają, należy sprawdzić wszystkie połączenia (również butelki nawilzacza i pozostałych akcesoriów), a następnie powtórzyć próbę. W przypadku dalszego braku pęcherzyków powietrza należy natychmiast skontaktować się z dystrybutorem lub serwisem.

Napełnianie butelki nawilzacza Ⓐ



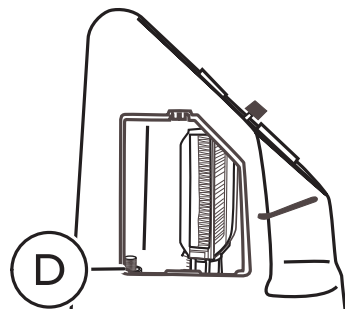
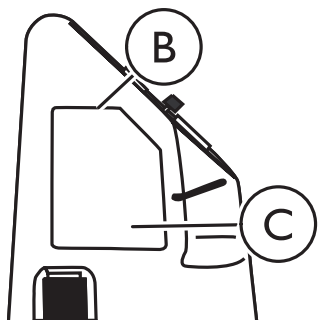
1. Zdjąć pokrywę z butelki.
2. Napełnić butelkę nawilzacza Ⓐ przegotowaną wodą z kranu lub wodą butelkowaną do poziomu wskazanego przez producenta. Przed użyciem gotować wodę z kranu przez około 10 minut, a następnie ochłodzić do temperatury pokojowej.



UWAGA!

Ryzyko uszkodzenia

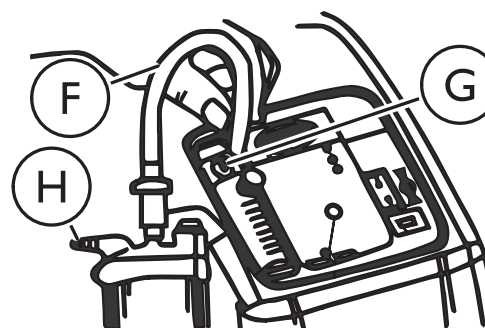
- Sprawdzić, czy nie wystąpiło przekoszenie gwintu pokrywki na butelce nawilzacza.



3. Włożyć płaski śrubokręt do rowka ② na górnej krawędzi drzwiczek dostępu ③ do filtra i delikatnie je podważyć w celu ich otworzenia.



4. Pociągnąć i wyjąć adapter ④ butelki nawilzacza (obok filtra wejściowego).



OSTRZEŻENIE!

Niebezpieczeństwo obrażeń

- Aby uniknąć ingerowania w przepływ tlenu:
- Należy prawidłowo zamontować butelkę nawilzacza i/lub pozostałe akcesoria.

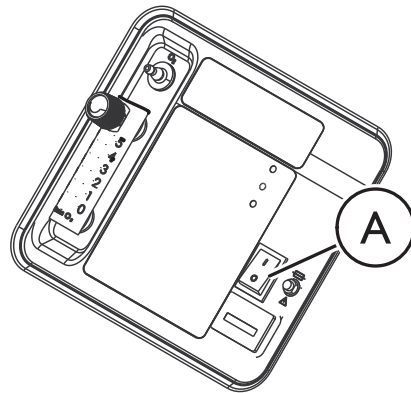
5. Podłączyć ją do nawilzacza, obracając nakrętkę skrzydełkową na butelce nawilzacza w lewo do momentu jej odpowiedniego dokręcenia.
6. Podczas umieszczania butelki nawilzacza w komorze ⑤ koncentratora podłączyć przewód ⑥ butelki/adaptera nawilzacza do złącza wyjściowego ⑦ tlenu na koncentratorze.



W przypadku używania połączeń przewodów dłuższych niż 2,1 m (7 stóp) nawilzacz należy umieścić możliwie jak najbliżej pacjenta, aby zapewnić maksymalną wydajność nawilzacza.

7. Podłączyć przewód doprowadzający kaniuli nosowej pacjenta do złącza wyjściowego ⑧ butelki nawilzacza.
8. Po zmontowaniu sprawdź, czy tlen przepływa przez kaniulę.
9. Załóż drzwiczki dostępu do filtra z boku koncentratora, zatraskując je z powrotem w wyłobieniu płyty.

5.3.2 Włączanie koncentratora



1. Nacisnąć przełącznik zasilania **A** i ustawić go w pozycji włączonej.

i Wszystkie lampki na panelu oraz alarm dźwiękowy zostaną włączone na jedną sekundę, wskazując, że urządzenie działa prawidłowo.

5.3.3 Szybkość przepływu



OSTRZEŻENIE!

Niebezpieczeństwo obrażeń

Aby uniknąć urazu spowodowanego nadmiarem lub brakiem tlenu:

- NIE WOLNO zmieniać ustawienia l/min na przepływomierzu, o ile zmiana nie została zalecona przez lekarza lub specjalistę.
- NIE WOLNO ustawiać szybkości przepływu powyżej 9 l/min.



1. Ustaw pokrętko szybkości przepływu w położeniu zaleconym przez lekarza lub specjalistę.

i Aby prawidłowo odczytać wskazanie przepływomierza **B**, należy znaleźć na nim linię zalecanej szybkości przepływu. Następnie należy obracać pokrętko przepływu do momentu, aż wskaźnik **C** osiągnie tę linię.

2. Jeśli szybkość przepływu na przepływomierzu spadnie poniżej 0,5 l/min na ponad jedną minutę, nastąpi uruchomienie alertu o możliwym zablokowaniu. Są to szybkie sygnały dźwiękowe. Sprawdź przewody lub wyposażenie dodatkowe, upewniając się, czy przewody nie zostały zablokowane albo zagięte, a butelka nawilżacza nie jest wadliwa. Po przywróceniu nominalnego przepływu z przedziału od 0,5 l/min do 0,75 l/min alert o możliwym zablokowaniu zostanie wyłączony.


i Alert o możliwym zablokowaniu oznacza stan, który może być związany z częściowym lub całkowitym zablokowaniem tlenu wyjściowego.

Zastosowanie niektórych akcesoriów, takich jak przepływomierz pediatryczny PreciseRx™ czy kompresor HomeFill, spowoduje wyłączenie alertu o możliwym zablokowaniu.

5.3.4 Wskaźniki czystości tlenu SensO₂

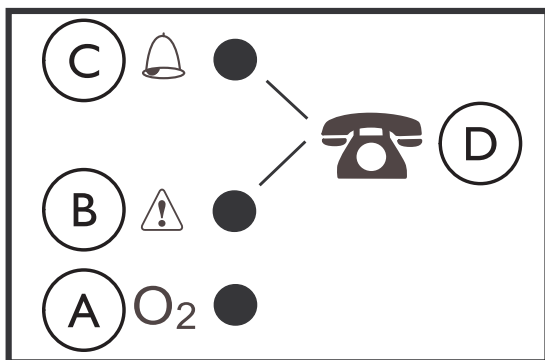
Ta funkcja służy do monitorowania czystości tlenu wytwarzanego przez koncentrator. Jeśli czystość spadnie poniżej ustawionych standardów fabrycznych, zaświeci się lampka kontrolna na panelu sterowania.


Początkowe uruchomienie koncentratora



 Koncentratora można używać podczas początkowego okresu nagrzewania (około 30 min), oczekując na osiągnięcie maksymalnej czystości O₂.

Po włączeniu urządzenia zaświeci się ZIELONA lampka (SYSTEM OK/O₂ powyżej 85 %). Po pięciu minutach czujnik tlenu będzie działał normalnie i sterował lampkami kontrolnymi w zależności od wartości koncentracji tlenu.

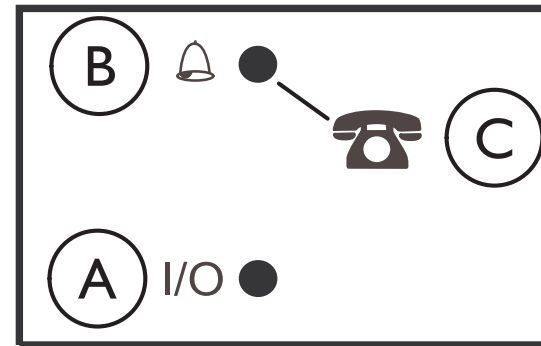
Objaśnienie dotyczące lampek kontrolnych czystości tlenu





	Symbol	Czystość O ₂	Lampki kontrolne (DIODY LED)	Wyjaśnienie
Ⓐ	O ₂	SYSTEM OK O ₂ powyżej 85 %	ZIELONA lampka	Żadne działanie nie jest potrzebne. Normalna praca.
Ⓑ		O ₂ od 73 % do 85 %	ŻÓŁTA lampka (światło ciągłe)	Natychmiast skontaktować się z dostawcą. Można kontynuować używanie koncentratora, chyba że dostawca określi inaczej. Upewnić się, że w pobliżu znajduje się rezerwowe źródło tlenu.
			ŻÓŁTA lampka (światło migające)	

	Symbol	Czystość O ₂	Lampki kontrolne (DIODY LED)	Wyjaśnienie
©		AWARIA SYSTEMU O ₂ poniżej 73 %	CZERWONA lampka (światło ciągłe)	Ciągły alarm dźwiękowy Sieve-GARD™ ; wyłączenie kompresora AWARIA SYSTEMU. Całkowite wyłączenie urządzenia. Natychmiast przejść na rezerwowe źródło tlenu i skontaktować się z dostawcą.
ⓓ		—	—	Skontaktuj się z dostawcą

5.3.5 Urządzenia bez SensO₂



Koncentratora można używać podczas okresu początkowego nagrzewania (około 30 min). Czystość O₂ osiągnie w tym czasie maksymalny poziom.

	Kolor lampki	Symbol	Wyjaśnienie
Ⓐ	ZIELONA lampka	I/O	Normalna praca
Ⓑ	CZERWONA lampka		Ciągły alarm dźwiękowy Sieve-GARD™ ; wyłączenie kompresora Całkowite wyłączenie urządzenia. Natychmiast przejść na rezerwowe źródło tlenu i skontaktować się z dostawcą.
Ⓒ	—		Skontaktuj się z dostawcą

5.4 Układ alarmu braku zasilania

Układ alarmu nie zawiera baterii, dzięki czemu nie wymaga konserwacji. Jest on zasilany z kondensatora, który jest cały czas ładowany i gotowy do uruchomienia alarmu w razie awarii zasilania.

6 Konserwacja

6.1 Czyszczenie obudowy



NIEBEZPIECZEŃSTWO!

Niebezpieczeństwo obrażeń ciała lub uszkodzenia

Budowa koncentratorów tlenu Invacare zapewnia ograniczenie wymogów związanych z rutynową konserwacją zapobiegawczą. Aby uniknąć obrażenia ciała lub uszkodzenia urządzenia:

- Konserwację zapobiegawczą koncentratora tlenu powinien przeprowadzać tylko wykwalifikowany personel.
- **NIE WOLNO** zdejmować obudowy.



NIEBEZPIECZEŃSTWO!

Niebezpieczeństwo obrażeń ciała lub uszkodzenia

Płyn może uszkodzić wewnętrzne elementy koncentratora. Aby uniknąć uszkodzenia lub obrażenia na skutek porażenia prądem elektrycznym:

- Wyłącz koncentrator oraz przed czyszczeniem należy odłączyć przewód zasilający.
- Nie dopuszczaj, aby środek czyszczący do kroplówki wewnątrz otworów wlotowych i wylotowych.
- Nie rozpylać lub stosować żadnego środka czyszczącego bezpośrednio na szafce.
- **NIE** polewać produkt.



UWAGA!

Ryzyko uszkodzenia

Ciężkie środki chemiczne mogą uszkodzić koncentrator. Aby uniknąć uszkodzenia:

- **NIE** czyścić obudowę lub filtr z produktów na bazie alkoholu i alkoholu (alkohol izopropylowy), koncentraty na bazie chloru (chlorek etylenu), i produktów ropopochodnych (Pine-Sol® , Lestoil®) chlorek), i produktów ropopochodnych (Pine-Sol® , Lestoil®) lub jakiegokolwiek inne agresywne czynniki chemiczne. Należy używać tylko łagodnego detergentu w płynie do naczyń (takie jak Dawn™).



Konserwacja **MUSI** być wykonana przynajmniej według wytycznych konserwacji. W miejscach o dużym stężeniu kurzu lub sadzy niezbędne może być częstsze przeprowadzanie konserwacji. Patrz lista kontrolna konserwacji.

Okresowo należy czyścić obudowę koncentratora w następujący sposób:

1. Za pomocą wilgotnej szmatki lub gąbki oraz łagodnego detergentu, np. płynu do mycia naczyń Dawn™ , delikatnie wytrzeć zewnętrzną część urządzenia.
2. Przed użyciem koncentratora odczekać, aż obeschnie, lub wytrzeć go suchym ręcznikiem.

6.2 Czyszczenie filtra obudowy



UWAGA!

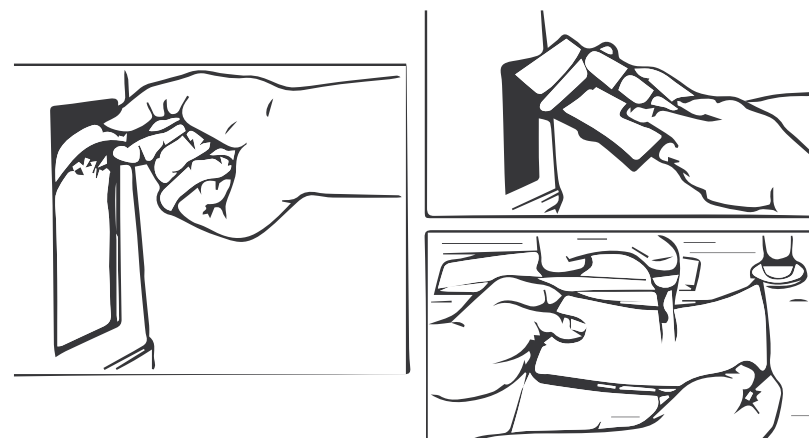
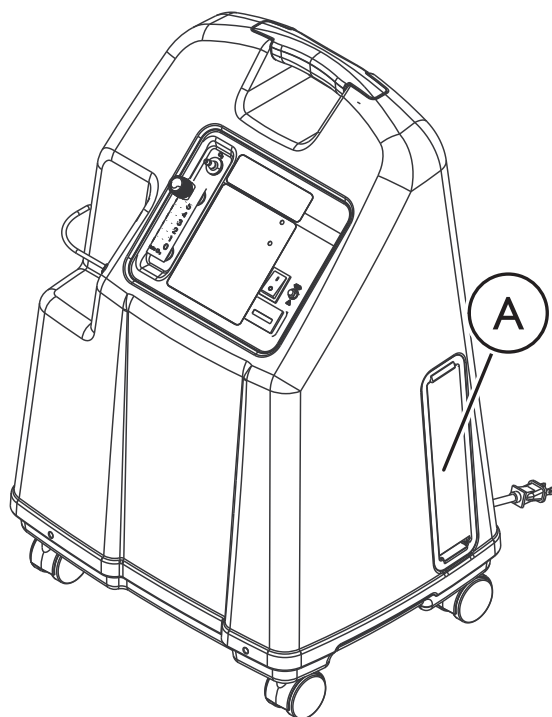
Ryzyko uszkodzenia

Aby uniknąć uszkodzenia z zatkania:

- NIE WOLNO używać koncentratora bez zainstalowanych filtrów.



W obudowie zastosowane są dwa filtry umieszczone po jej obu stronach.




1. Usuń filtr **A** i czyste, ile potrzeba.




Warunki środowiskowe, które mogą powodować konieczność częstszego czyszczenia filtrów, obejmują między innymi: duże stężenie kurzu, palenie tytoniu, zanieczyszczenia powietrza itp.

2. Wyczyść filtry obudowy za pomocą odkurzacza lub umyj w ciepłej wodzie z mydłem (takie jak Dawn™) i dokładnie opłucz.
3. Należy dokładnie wysuszyć filtr i sprawdzić, czy nie jest postrzępiony, nadkruszony, przerwany ani przebity. Wymień filtr w przypadku stwierdzenia jakichkolwiek uszkodzeń.
4. Ponownie zamontować filtr obudowy.

6.3 Czyszczenie i dezynfekcja termiczna nawilżacza

 Aby ograniczyć odkładanie się złożeń wapnia i nie dopuścić do możliwego zanieczyszczenia bakteryjnego, nawilżacz tlenu należy czyścić i dezynfekować codziennie. Należy postępować zgodnie z instrukcjami producenta. Jeśli nie dostarczono instrukcji, należy wykonać następujące czynności:

1. Umyć nawilżacz w wodzie z mydłem i opłukać go roztworem złożonym z dziesięciu części wody i jednej części octu.
2. Wypłukać dokładnie gorącą wodą.
3. Pozostawić do całkowitego wyschnięcia.

 Aby ograniczyć wzrost bakterii, po czyszczeniu należy pozostawić nawilżacz do całkowitego wyschnięcia, kiedy nie jest używany. Potrzebne informacje podano w rozdziale na temat przygotowania do użycia.

6.4 Czyszczenie i dezynfekcja przed przekazaniem kolejnemu pacjentowi



OSTRZEŻENIE!

Niebezpieczeństwo obrażeń ciała lub uszkodzenia

Aby zapobiec wystąpieniu infekcji lub uszkodzeniu koncentratora:

- Czyszczenie i dezynfekcję koncentratora tlenu i akcesoriów przed przekazaniem kolejnemu pacjentowi powinni wykonywać wyłącznie wykwalifikowani pracownicy.



Aby nie dopuścić do przekazywania kolejnym pacjentom czynników chorobotwórczych w wyniku zanieczyszczenia elementów i akcesoriów, należy postępować zgodnie z tymi instrukcjami. W tym samym czasie należy przeprowadzić także konserwację zapobiegawczą, jeśli jest konieczna.

1. Wyrzucić i zastąpić nowymi wszystkie akcesoria pacjenta nienadające się do użycia przez wielu pacjentów; dotyczy to między innymi takich akcesoriów jak:
 - kaniula nosowa i przewód
 - maska
 - nawilżacz
2. Zastosować procedury konserwacji opisane w niniejszej instrukcji oraz wykonać czynności podane na liście kontrolnej konserwacji zapobiegawczej.
3. Sprawdzić koncentrator pod kątem możliwych uszkodzeń zewnętrznych lub oznak, które mogą wskazywać na konieczność jego serwisowania lub naprawy.
4. Sprawdzić, czy koncentrator i wszystkie alarmy działają prawidłowo.
5. Przed ponownym zapakowaniem i przekazaniu nowemu pacjentowi sprawdzić, czy opakowanie zawiera koncentrator, przewód zasilania, osłonę wlotu powietrza, instrukcje montażu, nawilżacz, kaniulę, etykiety i instrukcję obsługi.

6.5 Lista kontrolna konserwacji zapobiegawczej

NR Modelu:

NR Seryjny:

PODCZAS KAŻDEJ KONTROLI							
Rejestr daty serwisu							
Zapisz upływ czasu według licznika godzin							
Czyszczenie filtrów obudowy (patrz Czyszczenie filtra obudowy)							
Sprawdź zalecaną szybkość przepływu w l/min.							
W RAMACH HARMONOGRAMU KONSERWACJI ZAPOBIEGAWCZEJ LUB MIĘDZY PACJENTAMI							
URZĄDZENIA BEZ SensO₂ — co 6 miesięcy ciągłego użytkowania (odpowiednik 4380 godzin)							
Kontrola stężenia tlenu (zielona lampka)							
Czyszczenie/wymiana filtrów (patrz Czyszczenie filtra obudowy)							
Kontrola/wymiana filtra wyjściowego HEPA*							
Kontrola/wymiana filtra wejściowego sprężarki*							
Sprawdź alarm braku zasilania*							
URZĄDZENIA Z SensO₂ — co 3 lata ciągłego użytkowania (odpowiednik 26 280 godzin)							
Kontrola stężenia tlenu (zielona lampka)							
Czyszczenie/wymiana filtrów (patrz Czyszczenie filtra obudowy)							
Kontrola/wymiana filtra wyjściowego HEPA*							
Kontrola/wymiana filtra wejściowego sprężarki*							
Sprawdź alarm braku zasilania*							
*Przeprowadza dostawca lub wykwalifikowany technik serwisu. Zapoznać się z instrukcją serwisowania.							

7 Czynności po zakończeniu użytkowania wózka

7.1 Informacje dotyczące recyklingu

Produkt ten został dostarczony przez dbającego o środowisko naturalne producenta, który przestrzega dyrektywy 2012/19/UE dotyczącej zużytego sprzętu elektrycznego i elektronicznego (WEEE). Produkt ten może zawierać substancje, które mogłyby być szkodliwe dla środowiska w przypadku jego utylizacji w miejscach (składowiskach), które zgodnie z prawem nie nadają się do tego celu.

Należy przestrzegać lokalnych rozporządzeń władz oraz planów recyklingu odnośnie do utylizacji koncentratora lub części normalnie stosowanych podczas użytkowania. Koncentrator nie generuje odpadów ani pozostałości w czasie pracy.

- NIE NALEŻY wyrzucać koncentratora razem z odpadami komunalnymi.
- Wszystkie akcesoria niebędące częściami koncentratora **MUSZA** być utylizowane zgodnie z instrukcją właściwą dla danego produktu.
- NIE NALEŻY wyrzucać wewnętrznych ani dodatkowych akumulatorów. Akumulatory należy zwrócić dystrybutorowi/dostawcy.

Firma Invacare® stale dokłada wszelkich starań, aby zmniejszyć do minimum wpływ na środowisko, zarówno w znaczeniu lokalnym, jak i globalnym. Firma Invacare zachowuje zgodność z aktualnymi przepisami o ochronie środowiska (tj. dyrektywami WEEE i RoHS). Stosowane są wyłącznie materiały i elementy spełniające wymagania dyrektywy REACH.

7.2 Zużycie

Firma Invacare zastrzega sobie prawo do zażądania zwrotu dowolnego przedmiotu, jeśli występuje podejrzenie, że został on wykonany wadliwie. Szczegółowe informacje na temat gwarancji znajdują się na karcie gwarancyjnej dostarczonej wraz z produktem.

Harmonogram konserwacji zapobiegawczej oraz opis użytkowania produktu znajdują się w instrukcji obsługi.

Informacja ta ma charakter ogólny i nie dotyczy przedmiotów uszkodzonych w wyniku ich nadmiernej lub nieprawidłowej eksploatacji.

Poniżej podano listę standardowo zużywających się części urządzenia.

- Wszystkie rodzaje filtrów
- Wszystkie rodzaje przewodów
- Wszystkie rodzaje baterii, w tym kwasowo-ołowiowe/litowe, pastylkowe (przeznaczone do zegarków) oraz żelowe (6 miesięcy)





Sito jest porowatym materiałem filtracyjnym i należy do części zużywalnych. Wśród czynników mogących wpłynąć na żywotność materiału sita znajdują się: wilgotność, temperatura, drobiny, zanieczyszczenie powietrza, pobór powietrza, drgania i inne czynniki środowiskowe.

8 Usuwanie nieprawidłowości

8.1 Usuwanie nieprawidłowości

OBJAW	PRAWDOPODOBNA PRZYCZYNA	ROZWIĄZANIE
<p>Alarm:</p> <p>Krótkie dźwięki, długie przerwy</p> <p>Koncentrator nie działa, przełącznik zasilania włączony.</p> <p>Bip.....Bip.....</p>	<p>Brak zasilania:</p> <ol style="list-style-type: none"> 1. Przewód zasilania NIE jest podłączony. 2. Brak zasilania w gnieździe. 3. Zadziałał wyłącznik obwodu. 	<ol style="list-style-type: none"> 1. Włóż wtyczkę do gniazda. 2. Sprawdź wyłączniki obwodu lub bezpieczniki w domu. Jeśli problem wystąpi ponownie, użyj innego gniazda. 3. Wsunąć/zresetować bezpiecznik. Jeśli problem nie ustępuje, wezwać serwis.
<p>Alarm:</p> <p>Ciągły</p> <p>Koncentrator nie działa, przełącznik zasilania włączony.</p> <p>Biiiiiiiiiiiiip....</p>	<p>Awaria systemu:</p> <ol style="list-style-type: none"> 1. Przegrzanie urządzenia z powodu zablokowanego wlotu powietrza. 2. Niewystarczający poziom zasilania w gnieździe. 3. Wymagane naprawy wewnętrzne 	<ol style="list-style-type: none"> 1. <ol style="list-style-type: none"> a. Wyjmij i wyczyść filtry obudowy. b. Odsuń koncentrator tlenu co najmniej 30,5 cm od ścian, zasłon i mebli. 2. NIE używaj przedłużaczy. Podłącz urządzenie do innego gniazda lub obwodu elektrycznego. 3. Skontaktuj się z serwisem.

OBJAW	PRAWDOPODOBNA PRZYCZYNA	ROZWIĄZANIE
<p>Alarm:</p> <p>Świeci się ŻÓŁTA lub CZERWONA lampka.</p> <p>Alarm: Ciągłe światło CZERWONE</p> <p> * Dotyczy tylko SensO₂ modele.</p>	<p>Awaria systemu:</p> <ol style="list-style-type: none"> 1. Niska czystość tlenu.* 2. Zgięte lub zablokowane przewody, kaniula lub nawilżacz.* 3. Przepływomierz jest ustawiony na 0,5 l/min lub mniej.* 4. Przegrzanie urządzenia z powodu zablokowanego wlotu powietrza. 5. Niewystarczający poziom zasilania w gnieździe. 6. Wymagane są naprawy wewnętrzne. 	<ol style="list-style-type: none"> 1. Wyczyść lub wymień filtry. 2. Sprawdź zgięcia lub blokady. Popraw, wyczyść lub wymień element. Po dokonaniu poprawki WYŁĄCZ zasilanie na 60 sekund, a następnie WŁĄCZ je ponownie. 3. Sprawdź, czy przepływomierz jest ustawiony na wartość 1,0 l/min lub wyższą. Patrz: rozdział Typowe parametry produktu. 4. <ol style="list-style-type: none"> a. Wyjmij i wyczyść filtry obudowy. b. Odsuń koncentrator na odległość co najmniej 30,5 cm od ścian, zasłon i mebli. 5. NIE używaj przedłużaczy. Podłącz urządzenie do innego gniazda lub obwodu elektrycznego. 6. Skontaktuj się z serwisem.
<p>Ciągłe światło ZIELONE i migające ŻÓLTE.</p>	<ol style="list-style-type: none"> 1. Wymagane są naprawy wewnętrzne. 	<ol style="list-style-type: none"> 1. Skontaktuj się z serwisem.
<p>Alarm:</p> <p>Szybko Bip...Bip... Bip...Bip</p>	<p>Alert o możliwym zablokowaniu:</p> <ol style="list-style-type: none"> 1. Możliwe zablokowanie wewnątrz drogi tlenu. Zgięte lub zablokowane przewody, kaniula lub nawilżacz. 2. Przepływomierz jest ustawiony na 0,5 l/min lub mniej. 	<ol style="list-style-type: none"> 1. Sprawdź, czy nie ma zgięć lub blokad. Popraw, wyczyść lub wymień element. Po dokonaniu poprawki WYŁĄCZ zasilanie na 60 sekund, a następnie WŁĄCZ je ponownie. 2. Ustaw przepływomierz na zalecaną szybkość. Szybkości przepływu poniżej 1 l/min nie są zalecane. <p> Zastosowanie przepływomierza pediatrycznego spowoduje wyłączenie alertu o możliwym zablokowaniu.</p>

9 Dane techniczne

9.1 Typowe parametry produktu

Wymagania elektryczne:	230 VAC + 10, -15% (253 VAC/195.5 VAC), 50 Hz
Nominalny prąd wejściowy:	1,4 A (IRC5LXO2AWQ)
	2,0 A (IRC5LXAW, IRC5LXO2AW)
	2,3 A (IRC9LXO2AWQ)
Poziom dźwięku:	Średnio 39,5 dB
	Średnio 44 dB (IRC5LXAW, IRC5LXO2AW)
	Średnio 50 dB (IRC9LXO2AWQ)
Wysokość n.p.m.:	Do 1828 metrów powyżej poziomu morza bez pogorszenia poziomów. NIE ZALECA SIĘ UŻYWANIA NA WYSOKOŚCI POWYŻEJ 1828 m.
	Zakres ciśnienia atmosferycznego: 101,33 kPa – 81,22 kPa
	IRC9LXO2AWQ - maksymalnie 4000 stóp. (1230 metrów) nad poziomem morza, bez obniżenia poziomów stenia. Zakres ciśnienia atmosferycznego: 101,33 kPa – 88,0 kPa
*Otwór wylotowy tlenu Poziomy koncentracji: All 5LXO2AWQ/5LXAW / 5LXO2AW/9LXO2AWQ modele	IRC5LXAW, IRC5LXO2AW, IRC5LXO2AWQ Minimum 93% przy 1 do 3 l/min. Minimum 91% przy 4 l/min. Minimum 87% przy 5 l/min. (maksymalny zalecany przepływ)

<p>i *Poziomy stężenia osiągnięte po okresie początkowego nagrzewania (około 30 minut)</p>	<p>IRC9LXO2AWQ Minimum 92% przy 1 do 2 l/min. Minimum 93% przy 3 do 7 l/min. Minimum 91% przy 8 l/min. Minimum 87% przy 9 l/min.</p>
<p>Maksymalne ciśnienie wylotowe:</p>	<p>IRC5LXAW, IRC5LXO2AW, IRC5LXO2AWQ 34,5 ± 3,45 kPa (5 ± 0,5 psi)</p>
<p>Zakres przepływu:</p>	<p>IRC9LXO2AWQ 62,0 kPa ± 3,45 kPa (9 ± 0,5 psi)</p>
<p>Alert o możliwym zablokowaniu:</p>	<p>IRC5LXAW, IRC5LXO2AW, IRC5LXO2AWQ 0,5–5 l/min. Szybkości przepływu poniżej 1 l/min nie są zalecane</p>
<p>Alert o możliwym zablokowaniu:</p>	<p>IRC9LXO2AWQ 1 l/min. do 9 l/min. Prdkoci przepływu nische ni 1 l/min. nie s zalecane</p>
<p>Średnie zużycie energii:</p>	<p>Koncentrator wykrywa stan, który może oznaczać zablokowanie tlenu wyjściowego. Alert w postaci powtarzającego się sygnału dźwiękowego (wyłączenie alertu następuje po połączeniu akcesoriów). Może być związany z ustawieniem przepływu równym 0,5 l/min lub niższym.</p> <p>IRC5LXO2AWQ 300 W 280 W @ 3 l/min.</p>
	<p>IRC5LXO2AW 365 W 340 W @ 3 l/min.</p>

	IRC5LXAW 380 W
	IRC9LXO2AWQ 475 W
Mechanizm uwalniania ciśnienia działa przy:	241 kPa \pm 24,1 kPa (35 psi \pm 3,5 psi)
Zmiana maksymalnego zalecanego przepływu w przypadku zastosowania ciśnienia wstecznego 7 kPa:	0,7 l/min
Filtry:	Obudowy (2), wylotowy HEPA i wlotowy kompresora
System zabezpieczeń:	Wyłączenie w razie przeciążenia prądowego lub przepięcia. Wyłączenie w razie wysokiej temperatury kompresora. Alarm wysokiego ciśnienia z wyłączeniem kompresora. Alarm niskiego ciśnienia z wyłączeniem kompresora. Alarm braku zasilania. Alert o możliwym zablokowaniu w aparacie tlenowym SensO ₂ .
Szerokość:	46,7 cm \pm 1 cm
Wysokość:	67,0 cm \pm 1 cm
Głębokość:	36,5 cm \pm 1 cm
Waga:	IRC5LXAW, IRC5LXO2AW, IRC5LXO2AWQ 23,6 kg \pm 1 kg (52 lbs \pm 2 lbs)
	IRC9LXO2AWQ 24.0 kg \pm 1 kg (53 lbs \pm 2 lbs)

Waga przesyłki:	IRC5LXAW, IRC5LXO2AW, IRC5LXO2AWQ 26,8 kg ± 1 kg (59 lbs ± 2 lbs)
	IRC9LXO2AWQ 27,2 kg ± 1 kg (60 lbs ± 2 lbs)
Temperatura otoczenia pracy:	10–35°C przy wilgotności względnej 20–60%.
Obudowa:	Plastikowa obudowa odporna na uderzenia, niepalna, odpowiadająca normie UL 94-V0.
Lista norm i przepisów prawnych:	IRC5LXAW/IRC5LXO2AW/ IRC5LXO2AWQ/IRC9LXO2AWQ Firma ETL przetestowała na zgodno z: EN55011 EN61000-3-2 EN61000-3-3 IEC 60601-1, A1, A2 IEC 60601-1-2 IRC5LXO2AW, IRC5LXO2AWQ, IRC9LXO2AWQ jedyny model ISO8359 MDD
Tylko modele:	IRC5LXO2AW, IRC5LXO2AWQ, IRC9LXO2AWQ
Elektryczne:	Nie stosować przedłużaczy.
Umiejscowienie:	Nie bliżej niż 30,5 cm (12 cali) od wszystkich ścian, mebli, zasłon itp., aby zapewnić wystarczający przepływ powietrza. Unikać wykładzin o wysokim runie, a także ogrzewaczy, grzejników i moderatorów ciągu gorącego powietrza. Umiejscowienie tylko na podłodze. Nie używać w ograniczonej przestrzeni ani w zamknięciu.

Przewody:	IRC5LXAW, IRC5LXO2AW, IRC5LXO2AWQ Kaniula donosowa z przewodem 2,1 m oraz przewód odporny na zgniatanie (typu Crush-Proof) o maksymalnej długości 15,2 m (NIE przygniatać przewodu).
	IRC9LXO2AWQ Zalecane uycie z rurkami wysokoprzeplywowymi o maksymalnej prdkoci 50 stóp, z kaniul wysokoprzeplywow przy wszystkich prdkociach przeplywu.
Wilgotność względna:	20–60 %
Czas pracy:	Do 24 godzin dziennie.
Zalecana temperatura przechowywania i transportu:	Od -29 °C do 65 °C przy wilgotności względnej 15–95 %.

Customer Service and Warranty Information

Terms and conditions of the warranty are part of the general terms and conditions particular to the individual countries in which this product is sold.

SERVICE APRÈS-VENTE ET INFORMATIONS DE GARANTIE

Les modalités et conditions de la garantie font partie des modalités et conditions générales spécifiques aux différents pays de vente du produit.

INFORMAZIONI SUL SERVIZIO ASSISTENZA AL CLIENTE E SULLA GARANZIA

I termini e le condizioni della garanzia sono parte integrante delle condizioni generali e le condizioni specifici per i singoli paesi in cui questo prodotto viene commercializzato.

KUNDENINFORMATION ÜBER SERVICE UND WARTUNGEN

Die Garantiebedingungen sind Teil der Allgemeinen Geschäftsbedingungen für die einzelnen Länder, in denen dieses Produkt vertrieben wird.

INFORMACJE DOTYCZĄCE OBSŁUGI KLIENTA I GWARANCJI

Warunki i postanowienia gwarancji są częścią ogólnych warunków i postanowień obowiązujących w poszczególnych krajach, w których produkt jest sprzedawany.

ZÁKAZNICKÝ SERVIS A INFORMACE O ZÁRUCĚ

Záruční podmínky jsou součástí konkrétních všeobecných podmínek platných v jednotlivých zemích, ve kterých se tento výrobek prodává.

Belgium & Luxemburg: Invacare nv, Autobaan 22, B-8210 Loppem • Tel: (32) (0) 50 83 10 10 • Fax: (32) (0) 50 83 10 11 • belgium@invacare.com • www.invacare.be

Danmark: Invacare A/S, Sdr. Ringvej 37, DK-2605 Brøndby • Tel: (45) (0)36 90 00 00 • Fax: (45) (0)36 90 00 01 • denmark@invacare.com • www.invacare.dk

Deutschland: Invacare GmbH, Alemannenstraße 10, D-88316 Isny • Tel: (49) (0)75 62 7 00 0 • Fax: (49) (0)75 62 7 00 66 • kontakt@invacare.com • www.invacare.de

Eastern Europe, Middle East & CIS: Invacare EU Export • Kleiststraße 49 • D-32457 Porta Westfalica • Germany • Tel: (49) 5731 754540 • Fax: (49) 5731 754541 • webinfo-eu-export@invacare.com • www.invacare-eu-export.com

España: Invacare SA, c/Areny s/n, Polígon Industrial de Celrà, E-17460 Celrà (Girona) • Tel: (34) (0)972 49 32 00 • Fax: (34) (0)972 49 32 20 • contactsp@invacare.com • www.invacare.es

France: Invacare Poirier SAS, Route de St Roch, F-37230 Fondettes • Tel: (33) (0)2 47 62 64 66 • Fax: (33) (0)2 47 42 12 24 • contactfr@invacare.com • www.invacare.fr

Ireland: Invacare Ireland Ltd, Unit 5 Seatown Business Campus • Seatown Road, Swords, County Dublin – Ireland • Tel: (353) 1 810 7084 • Fax: (353) 1 810 7085 • ireland@invacare.com • www.invacare.ie

Italia: Invacare Mecc San s.r.l., Via dei Pini 62, I-36016 Thiene (VI) • Tel: (39) 0445 38 00 59 • Fax: (39) 0445 38 00 34 • italia@invacare.com • www.invacare.it

Nederland: Invacare AE, Galvanistraat 14–3, NL–6716 BZ Ede • Tel: (31) (0)318 695 757 • Fax: (31) (0)318 695 758 • nederland@invacare.com • csede@invacare.com • www.invacare.nl

Norge: Invacare AS, Grensesvingen 9, Postboks 6230, Etterstad, N-0603 Oslo • Tel: (47) (0)22 57 95 00 • Fax: (47) (0)22 57 95 01 • norway@invacare.com • island@invacare.com • www.invacare.no

Österreich: Invacare Austria GmbH, Herzog Odilostrasse 101, A-5310 Mondsee • Tel: (43) 6232 5535 0 • Fax: (43) 6232 5535 4 • info@invacare-austria.com • www.invacare.at

Portugal: Invacare Lda • Rua Estrada Velha, 949, P-4465-784 Leça do Balio • Tel: (351) (0)225 1059 46/47 • Fax: (351) (0)225 1057 39 • portugal@invacare.com • www.invacare.pt

Sverige: Invacare AB • Fagerstagatan 9 • S-163 53 Spånga • Tel: (46) (0)8 761 70 90 • Fax: (46) (0)8 761 81 08 • sweden@invacare.com • www.invacare.se

Suomi: Camp Mobility • Patamäenkatu 5, 33900 Tampere • Tel: 09-350 76 310 • info@campmobility.fi • www.campmobility.fi

Schweiz/Suisse/Svizzera: Invacare AG • Benkenstrasse 260 • CH-4108 Witterswil • Tel.: (41) (0)61 487 70 80 • Fax.: (41) (0)61 487 70 81 • switzerland@invacare.com • www.invacare.ch

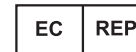
United Kingdom: Invacare Limited, Pencoed Technology Park, Pencoed, Bridgend CF35 5HZ • Tel: (44) (0) 1656 776222 • Fax: (44) (0) 1656 776220 • UK@invacare.com • www.invacare.co.uk

Invacare Corporation

USA
One Invacare Way
Elyria, Ohio USA
44035
440-329-6000
800-333-6900
Technical Services
440-329-6593
800-832-4707
www.invacare.com



Manufacturer:
Invacare Corporation
2101 E. Lake Mary Blvd.
Sanford, FL USA 32773
407-321-5630



Invacare Deutschland GmbH
Kleiststraße 49
D-32457 Porta Westfalica
Germany
Tel: (49) (0) 5731 754 0
Fax: (49) (0) 5731 754 52191



1195659-A

2017-04-18



Making Life's Experiences Possible®



Yes, you can.®